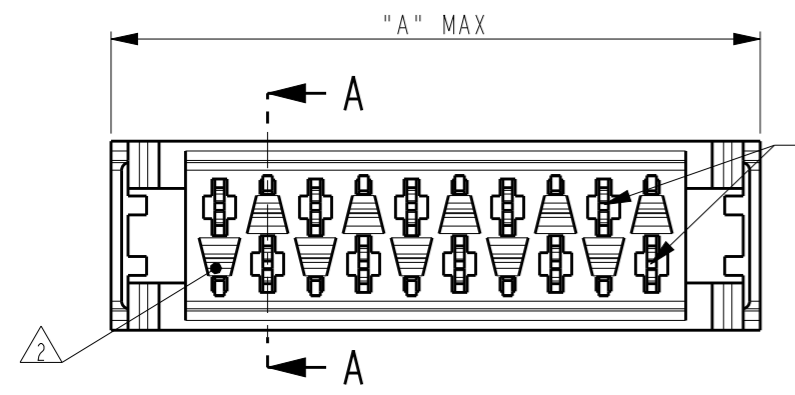


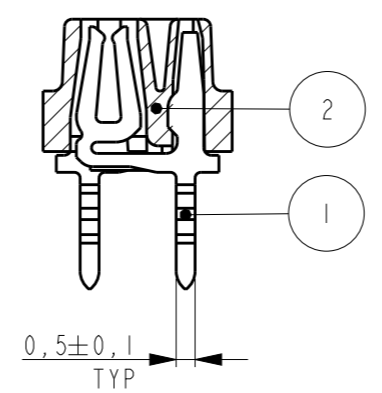
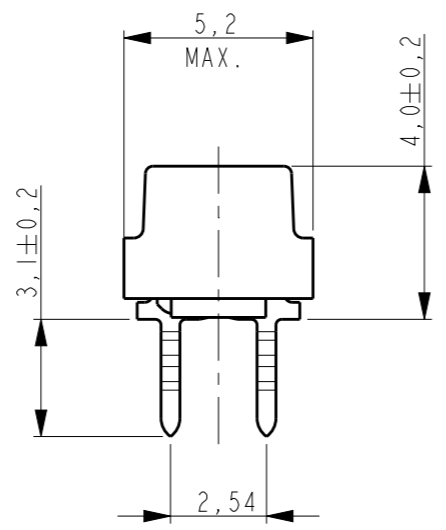
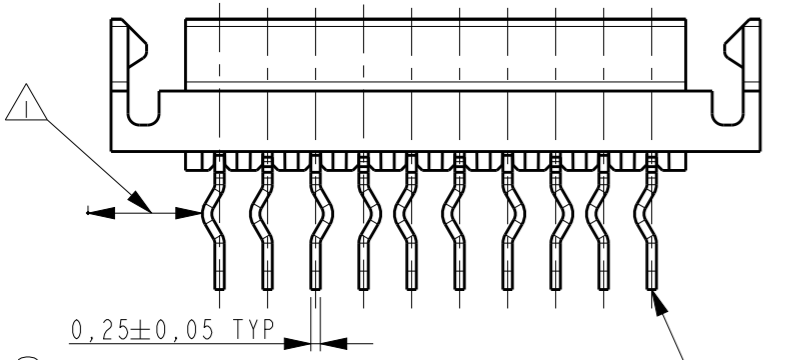
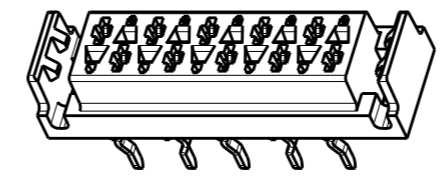
THIS DRAWING IS UNPUBLISHED. RELEASED FOR PUBLICATION  
 © COPYRIGHT - BY - ALL RIGHTS RESERVED.

REVISIONS

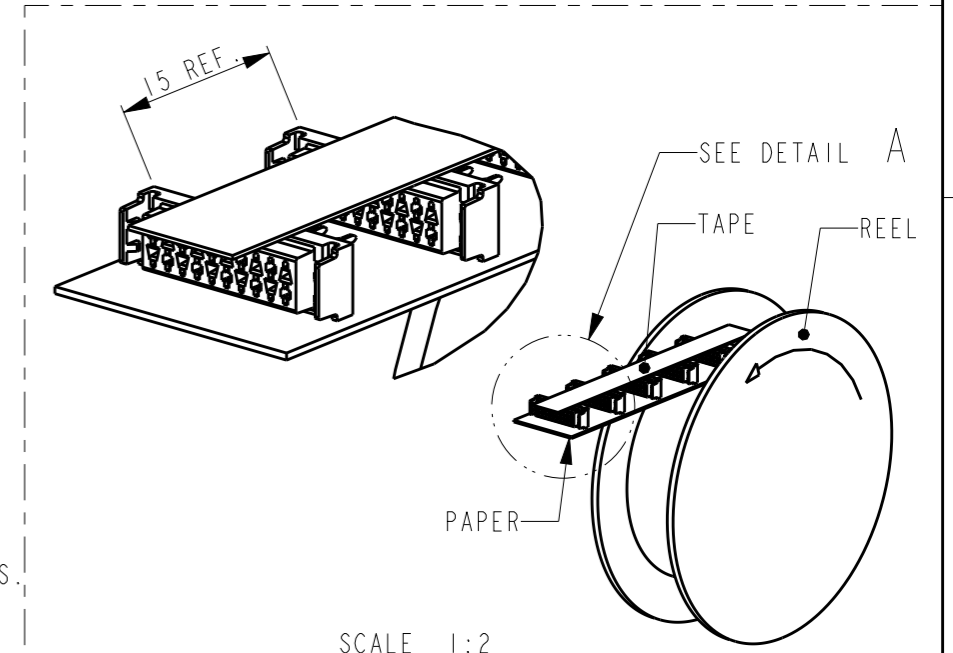
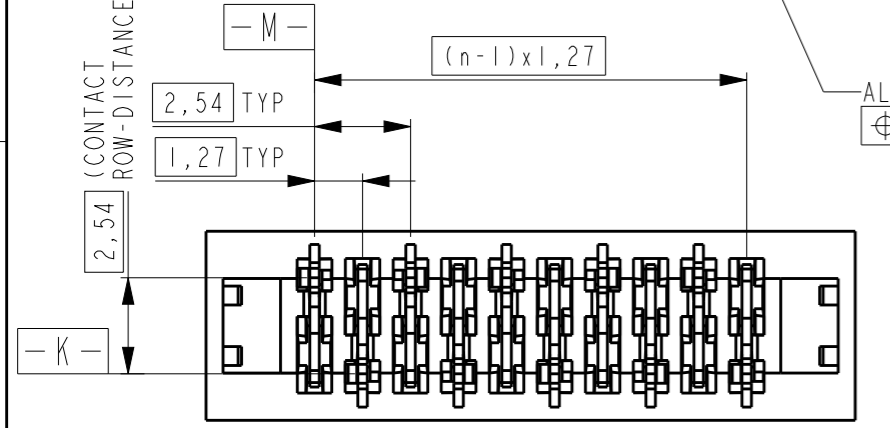
P	LTR	DESCRIPTION	DATE	DWN	APVD
	F1	TAPE WIDTH DIMENSION REMOVED	25JAN2016	SS	PS



REFERENCE MATING INTERFACE PATTERN  
 1,27 STAGGERED PITCH x 1,5 ROW DISTANCE.



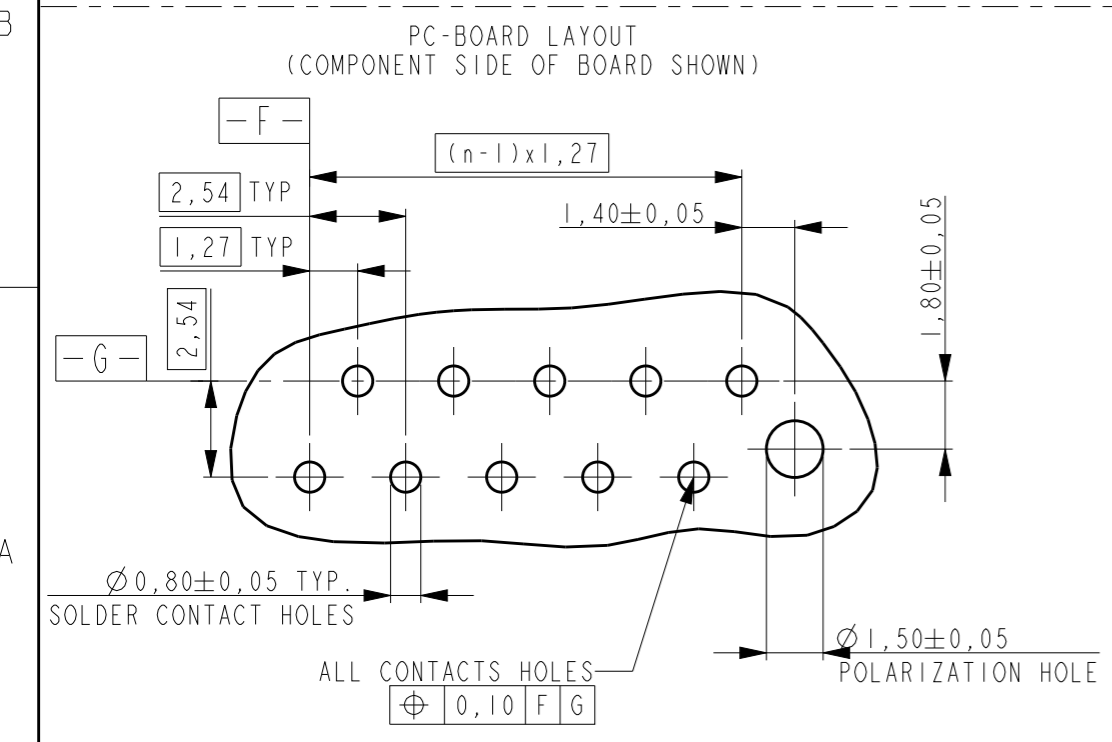
PART NUMBER REEL PACKAGING	NR OF POS "n"	DIMENSION "A" MAX
338068-4	4	9,7
338068-6	6	12,2
338068-8	8	14,7
1-338068-0	10	17,3
1-338068-2	12	19,8
1-338068-4	14	22,4
1-338068-6	16	24,9
1-338068-8	18	27,4
2-338068-0	20	30,0



SCALE 1:2  
 REEL PACKAGING  
 DEREELING DIRECTION AND CONNECTOR POSITION  
 2500 CONNECTORS PER REEL FOR ALL PART NUMBERS

NOTES:

- 1 IN EACH ROW, DIRECTION OF KINKS STARTS RANDOM. IN EACH ROW, SEQUENTIAL CONTACTS HAVE OPPOSITE KINK DIRECTIONS.
- 2 CORING-OUTS FOR MANUFACTURING PURPOSE ONLY. SHAPE MAY VARY, BUT IS NOT FUNCTIONAL FOR THE APPLICATION.
- 3 SHOWN IS A 10 POSITION CONNECTOR.



ITEM NO.	DESCRIPTION	MATERIAL	FINISH / COLOR
2	FEMALE HOUSING	G.F.POLYESTER PBT	RED
1	FEMALE CONTACT	PHOSPHOR BRONZE	TIN OVER NICKEL

THIS DRAWING IS A CONTROLLED DOCUMENT.

DWN M. GOSSELINK  
 CHK -  
 APVD -  
 PRODUCT SPEC 108-19052  
 APPLICATION SPEC -  
 WEIGHT -

**STE** TE Connectivity

NAME  
 CONNECTOR,  
 FEMALE-ON-BOARD TOP-ENTRY,  
 THRU-HOLE, WITH LATCHES, Micro-Match

SIZE A3 CAGE CODE 00779 DRAWING NO C-338068 RESTRICTED TO -

MATERIAL SEE TABLE FINISH SEE TABLE

Customer Drawing SCALE 5:1 SHEET 1 OF 1 REV F1

# Mouser Electronics

Authorized Distributor

Click to View Pricing, Inventory, Delivery & Lifecycle Information:

[TE Connectivity:](#)

[1-338068-4](#)