

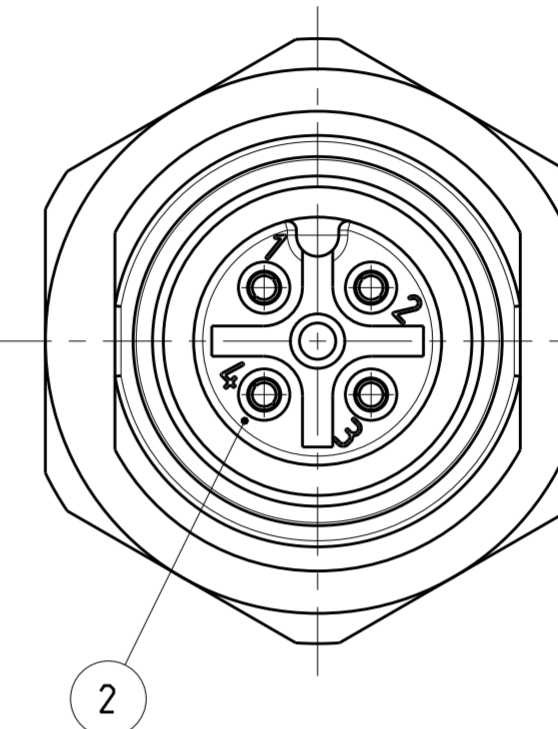
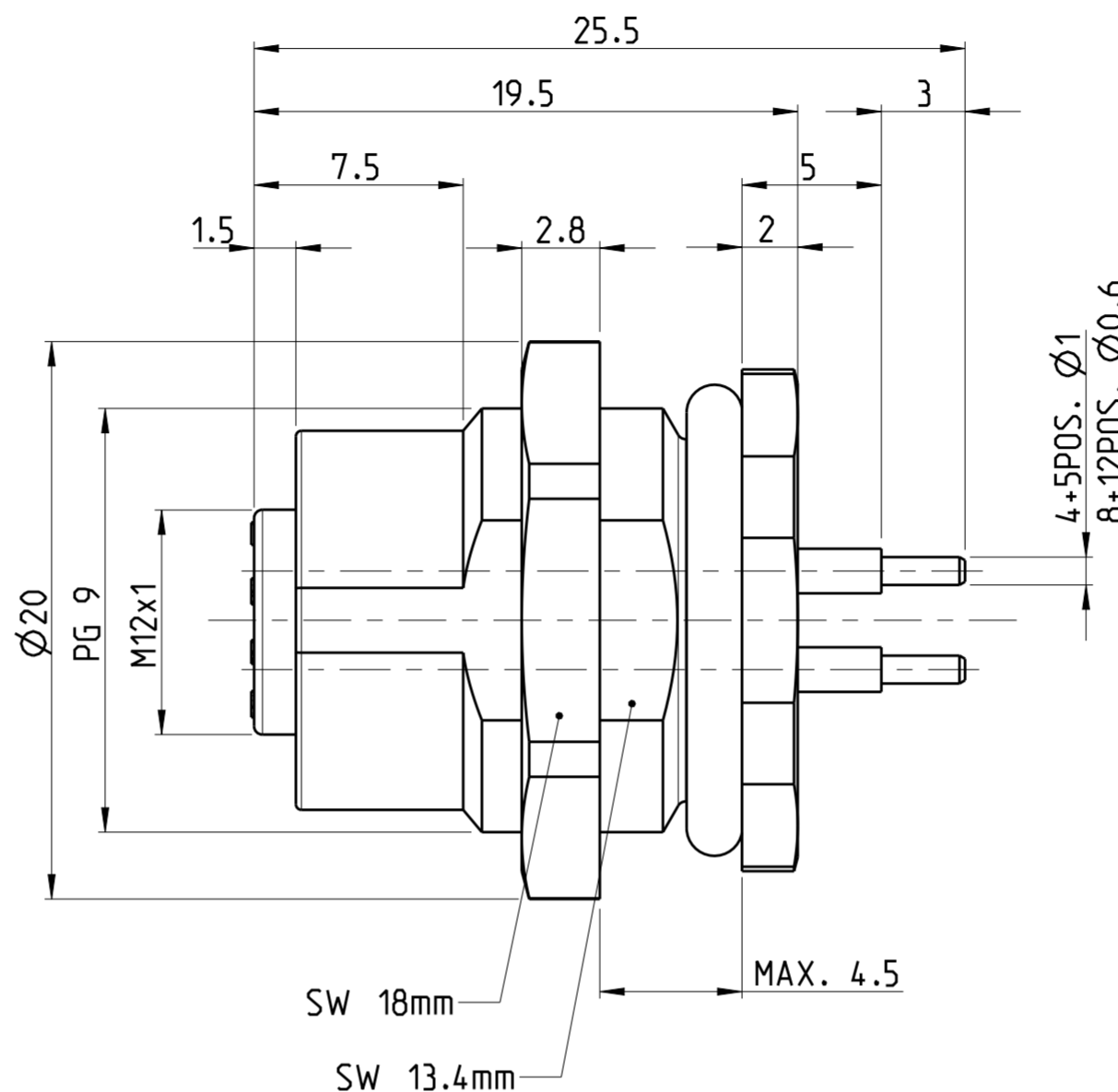
REVISIONS		DATE	DWN	APVD
P	LTR	DESCRIPTION		
A2		ADDED PCB LAYOUT IN DRAWING	20AUG2014	YR MB
A3		3-2271143-2 AND 4-2271143-2 DISCONTINUED	25SEP2017	TJ NG
A4		ECR-18-002621. CORRECT ERROR	27Feb2018	TF WC

MATERIAL: ITEM NO. 1: HOUSING - ZINC DIECASTING, NICKEL PLATED
 ITEM NO. 2: CONTACT BODY - PA
 ITEM NO. 3: CONTACT - CuZn (BRONZE)
 CONTACT FINISH - Au (gold)

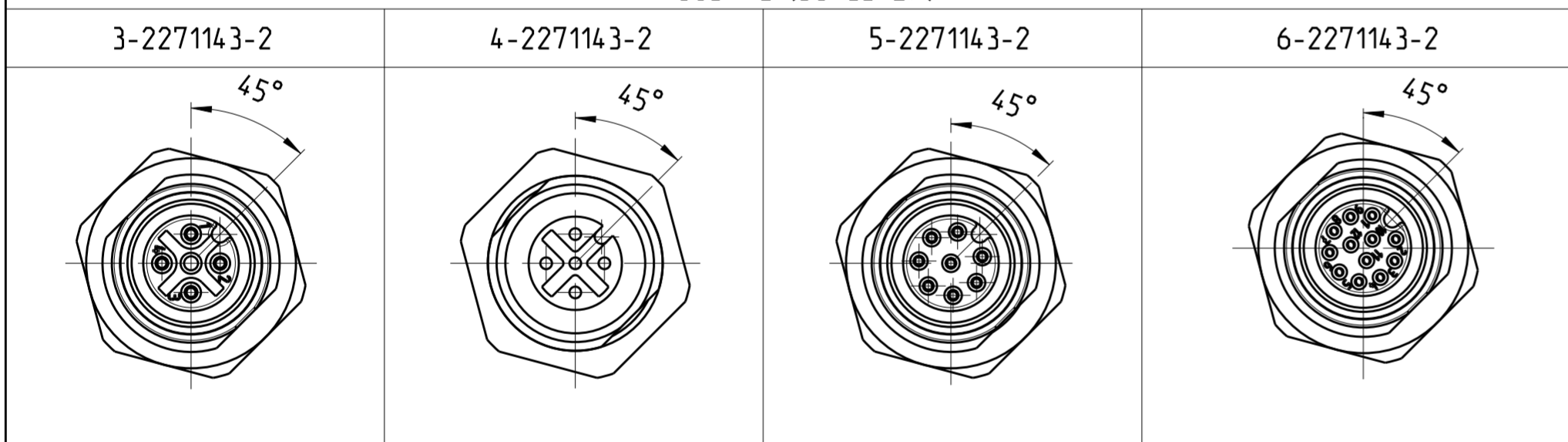
2 ALL DIMENSIONS ARE FOR NOMINAL REFERENCE ONLY UNLESS OTHERWISE STATED

3 PACKAGING: 20 PIECE IN A BAG

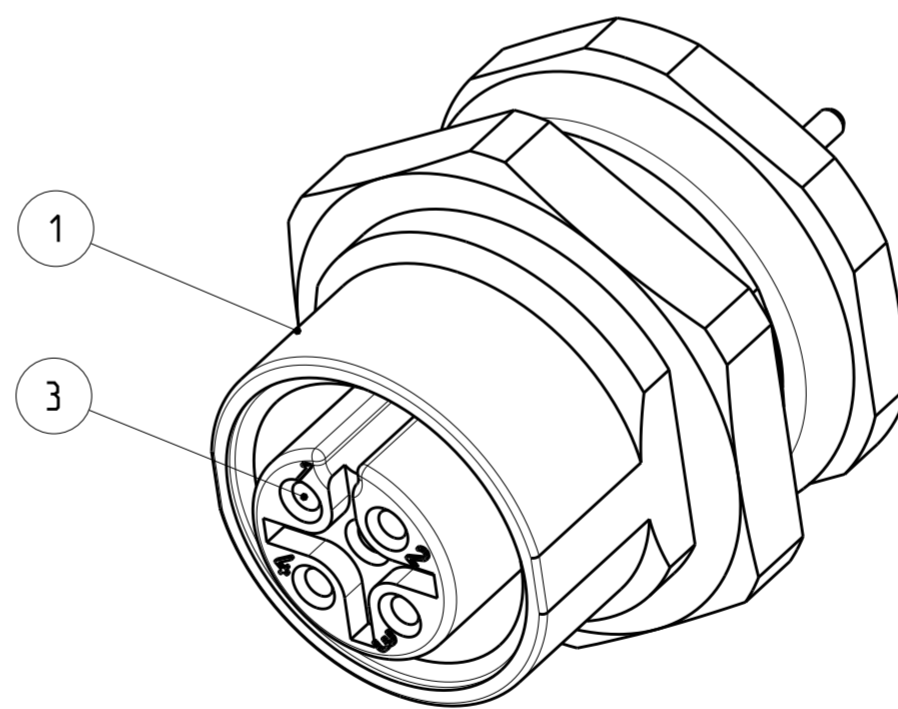
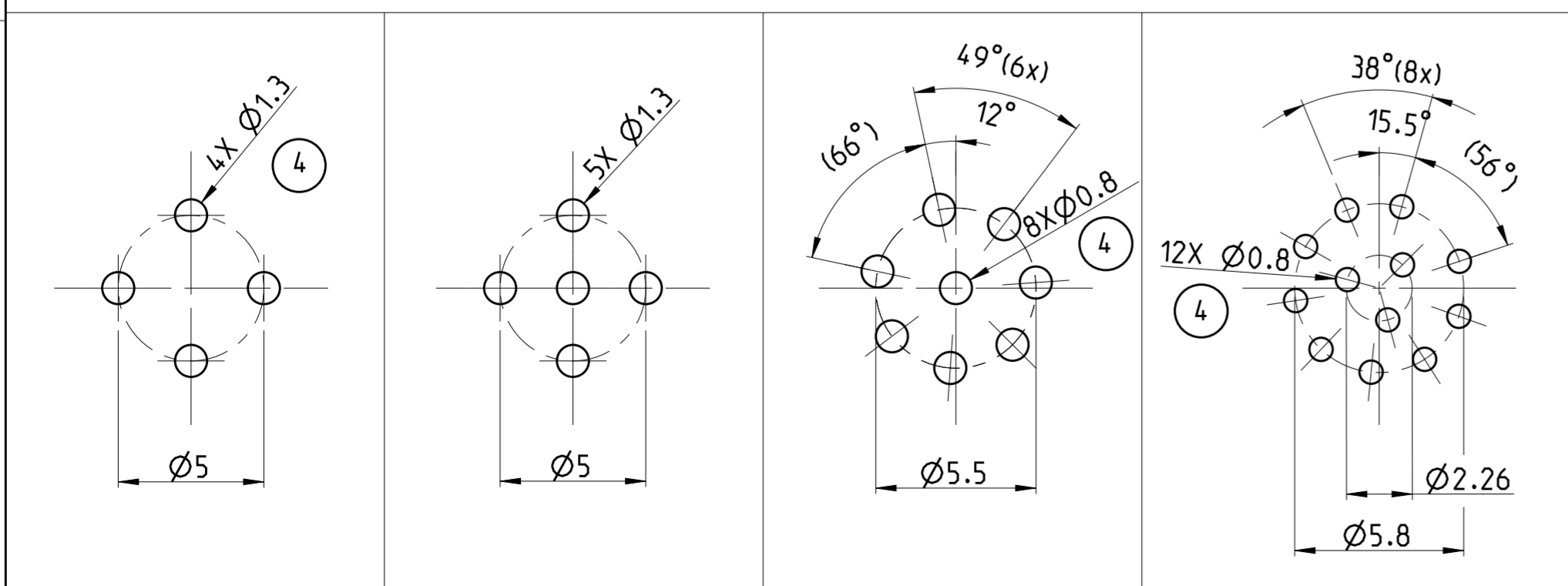
TECHNICAL DATA	3-2271143-2	4-2271143-2	5-2271143-2	6-2271143-2
RATED VOLTAGE	250V	125V	60V	30V
RATED IMPULSE VOLTAGE	2500V	1500V	800V	500V
POLLUTION DEGREE	3	3	3	3
OVERVOLTAGE CATEGORY	II	II	II	II
MATERIAL GROUP	II	II	II	II
RATED CURRENT	4A	4A	2A	2A
VOLUME RESISTIVITY	≤ 3mΩ	≤ 3mΩ	≤ 3mΩ	≤ 3mΩ
DEGREE OF PROTECTION	IP68	IP68	IP68	IP68
UPPER TEMPERATURE	+85 °C	+85 °C	+85 °C	+85 °C
LOWER TEMPERATURE	-40 °C	-40 °C	-40 °C	-40 °C



PIN ARRANGEMENT
A-CODING (SCALE 2:1)



PCB LAYOUT



SIZE ISO 14405 (E)

3-2 AS SHOWN WIE GEZEICHNET

WIRES AWG / mm²	MATERIAL	NUMBER OF POLES	TE-PART-NO.
24 / 0.25mm²	⚠	12	6-2271143-2
24 / 0.25mm²	⚠	8	5-2271143-2
24 / 0.25mm²	⚠	5	4-2271143-2
24 / 0.25mm²	⚠	4	3-2271143-2

DIESE ZEICHNUNG IST EIN KONTROLLIERTES DOKUMENT. BEMASSUNGEN UND TOLERANZEN GEMAESS GPS (ISO STANDARDS).
 THIS DRAWING IS A CONTROLLED DOCUMENT. DIMENSIONING AND TOLERANCING PER GPS (ISO STANDARDS).

DIMENSIONS: MASSEINHEITEN: (MM)	TOLERANCES UNLESS OTHERWISE SPECIFIED: ALLGEMEINTOLERANZEN	DWN YASHKUMAR 15MAY2014
		CHK M.STRELOW 15MAY2014
		APVD C.SCHRETLINGER 15MAY2014
		NAME M12 RECEPTACLE, FEMALE, PCB MOUNT, PANEL REAR, STRAIGHT, A-CODED
		PRODUCT SPEC 108-19483
		APPLICATION SPEC 114-32127
MATERIAL SEE NOTES	SEE NOTES	WEIGHT -
		Customer Drawing

STE TE Connectivity	
SIZE A2	CAGE CODE 00779
DRAWING NO. C-2271143	RESTRICTED TO MUR FUER -
SCALE MASSSTAB 4:1	SHEET BLATT 1 OF 1
REV A4	

Mouser Electronics

Authorized Distributor

Click to View Pricing, Inventory, Delivery & Lifecycle Information:

[TE Connectivity:](#)

[6-2271143-2](#)