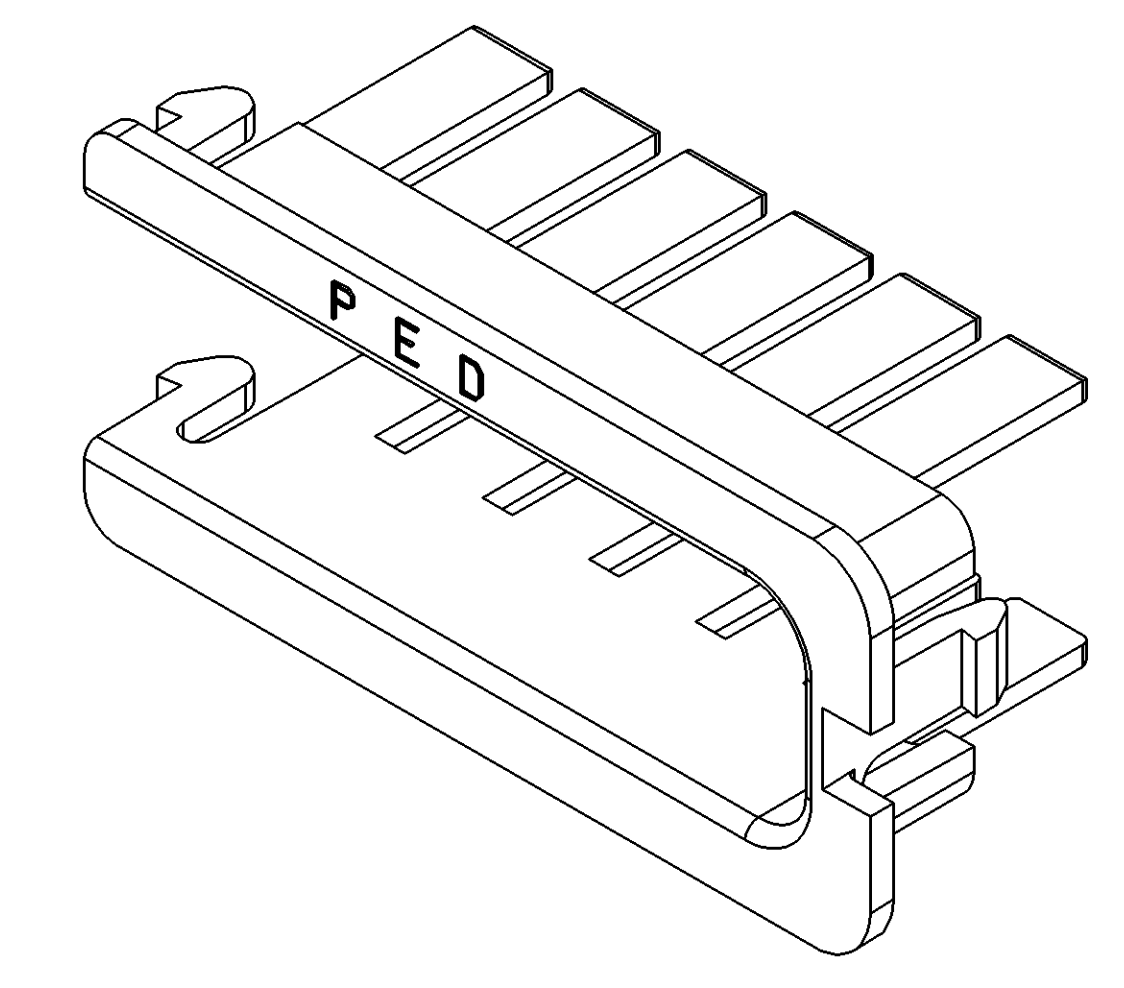
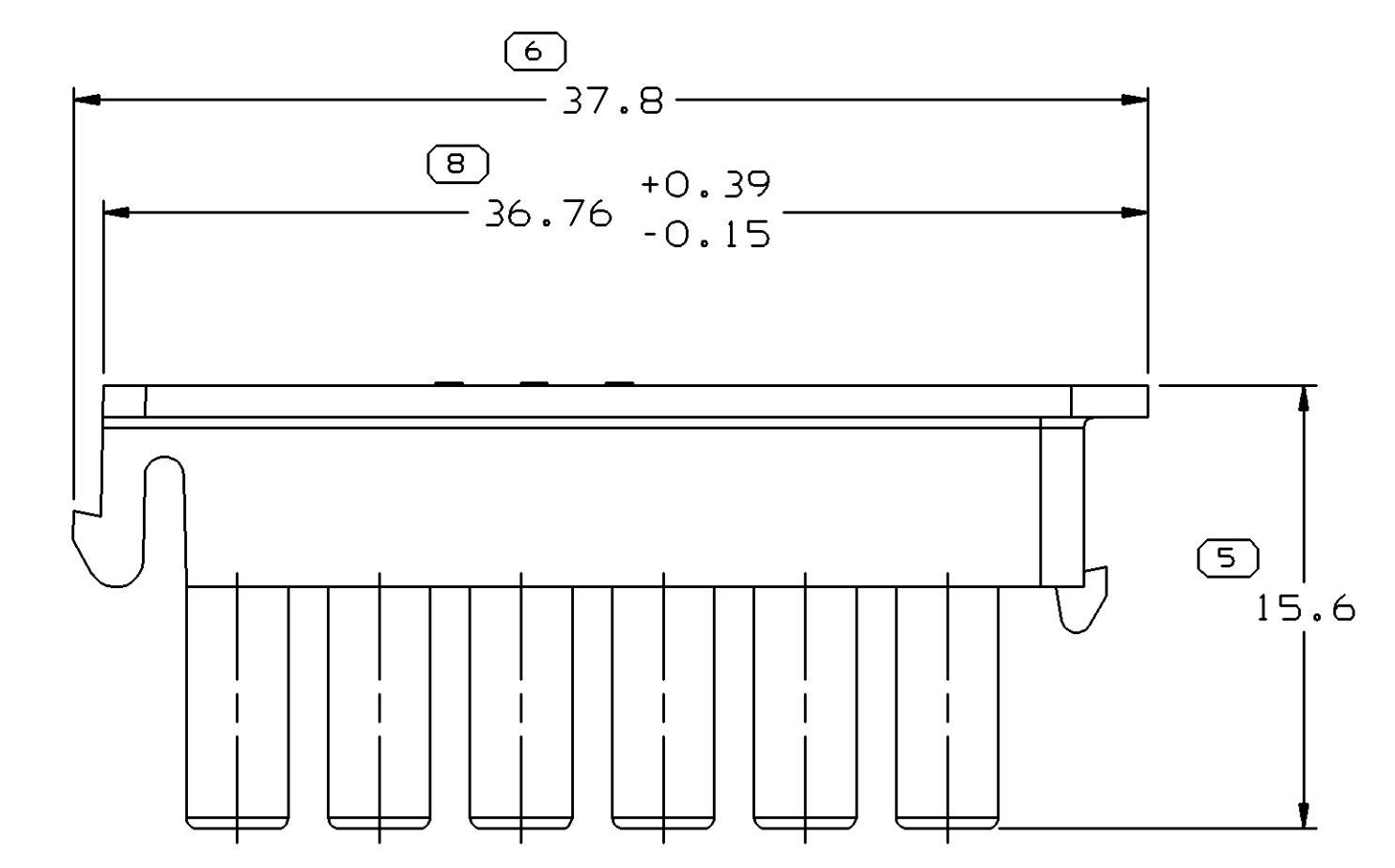
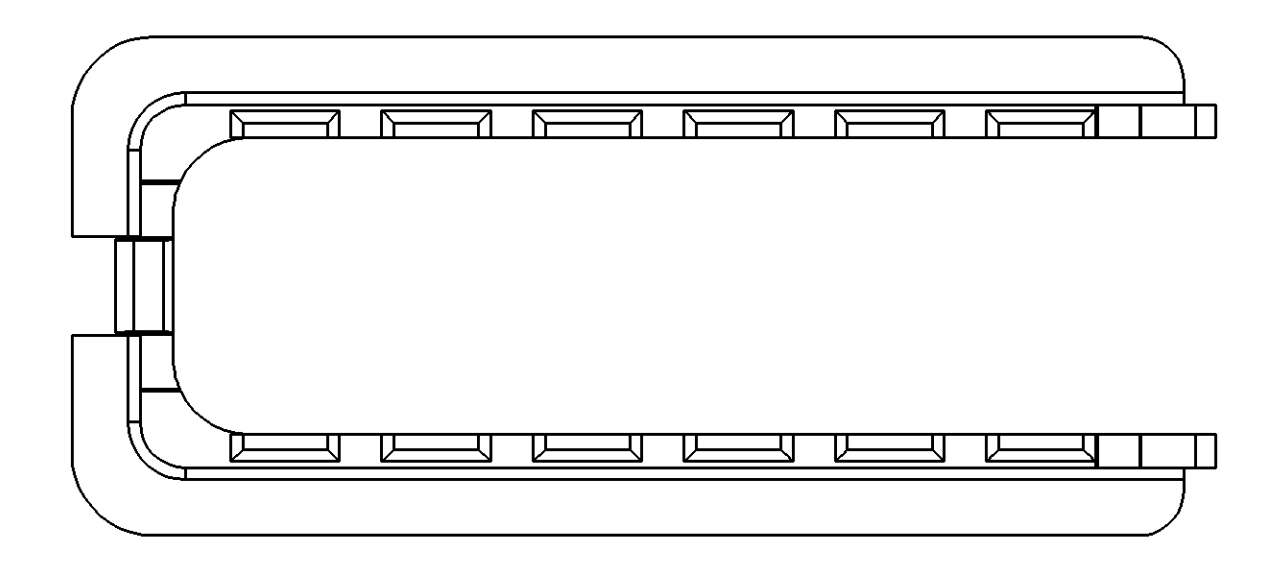
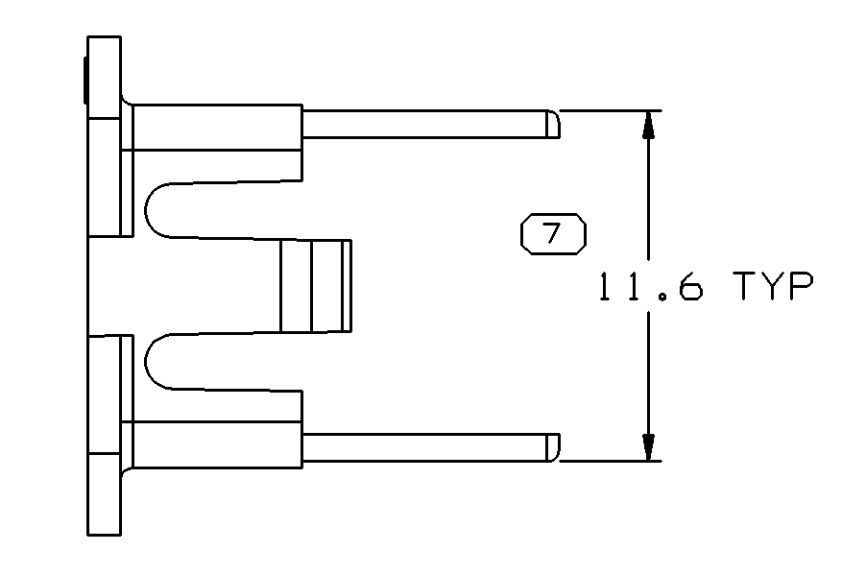
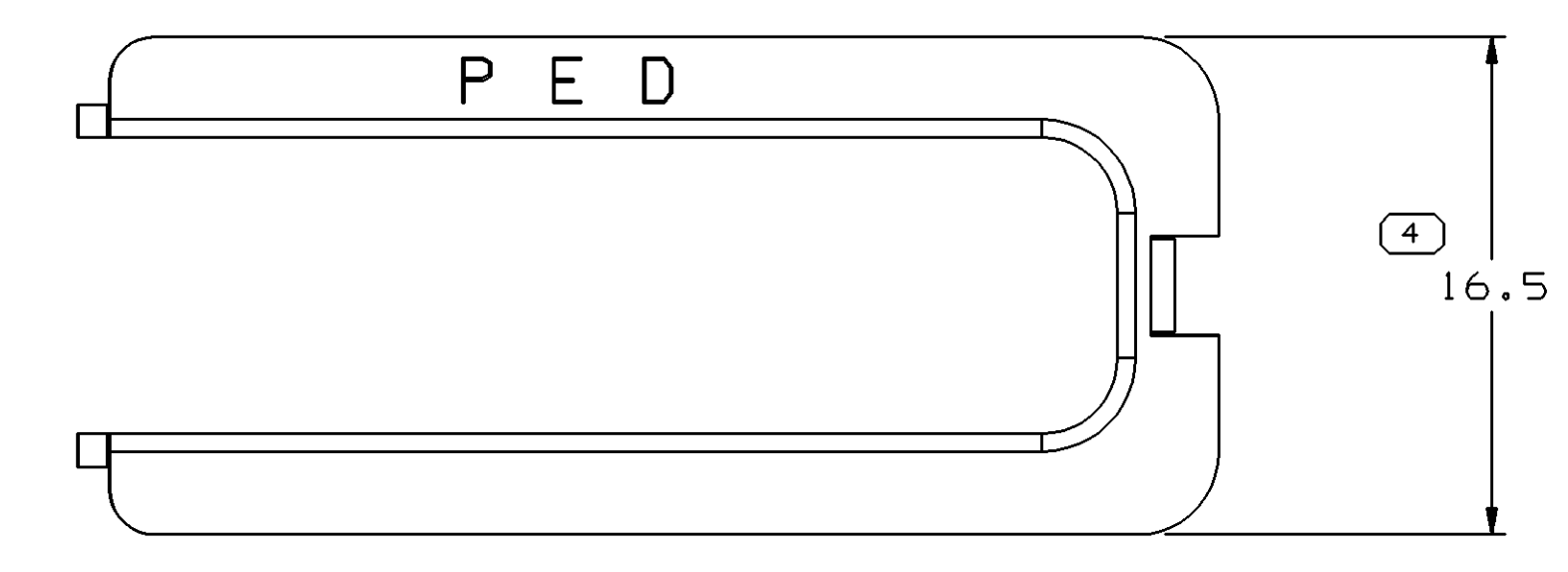
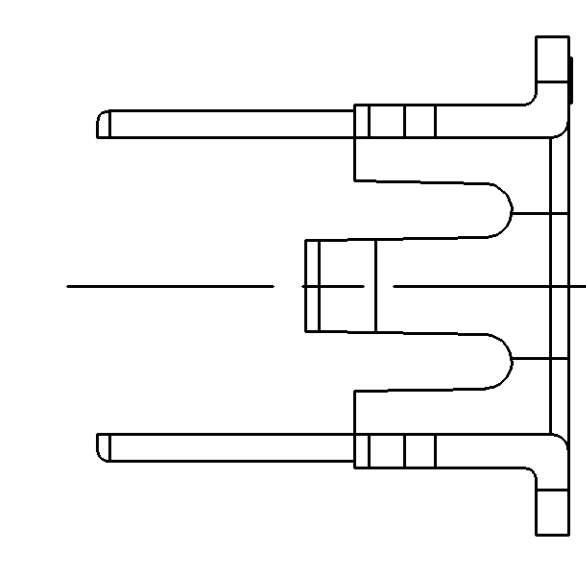
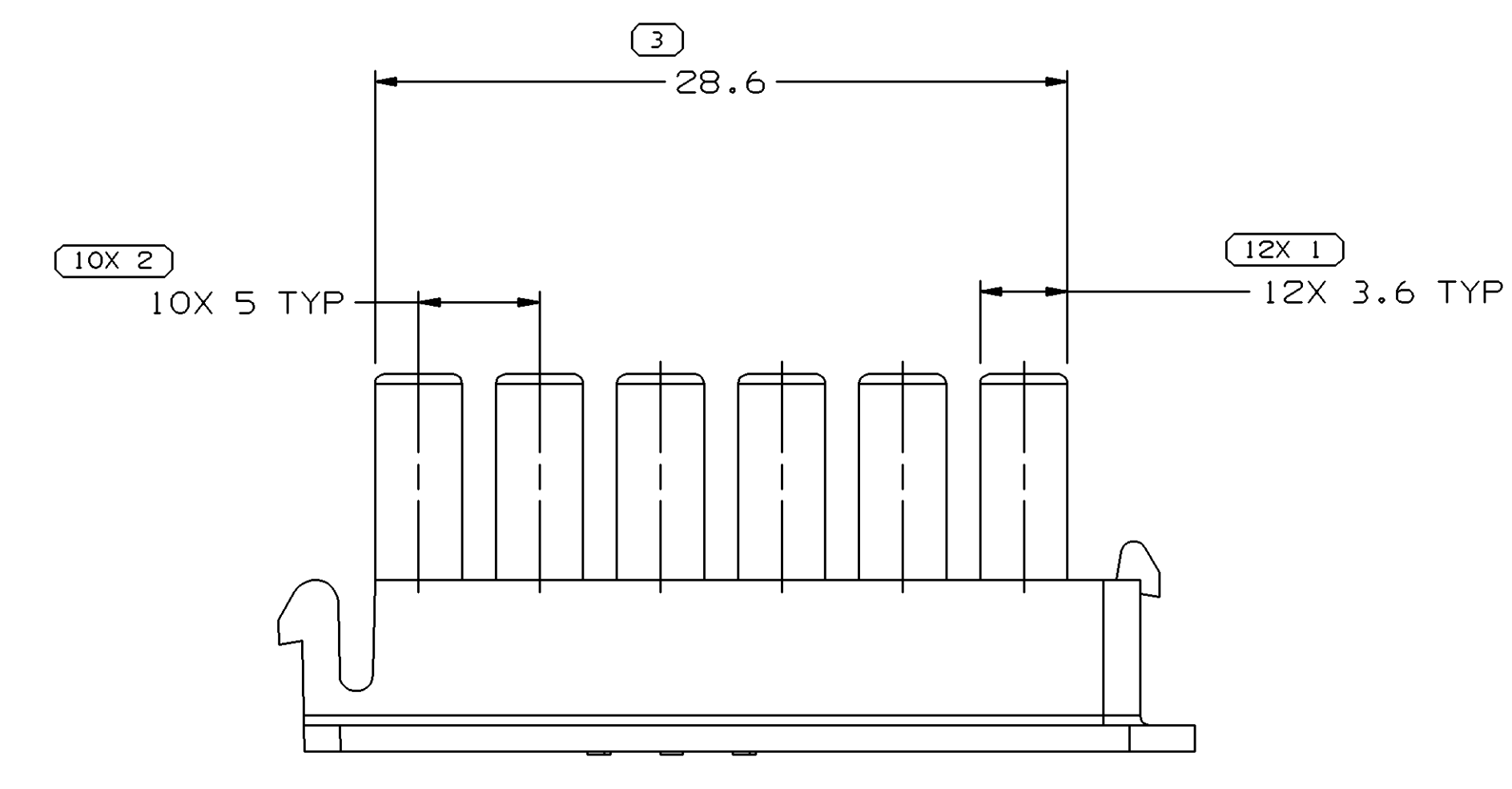


SYMBOL DEFINITION		MISSING SYMBOLS	
A DIMENSION WITHOUT AN INSPECTION REPORT SYMBOL DOES NOT REQUIRE INSPECTION. IT MAY BE CONTROLLED ON THE INDIVIDUAL COMPONENT DRAWING.	TOTAL NO OF INSPECTIONS REQUIRED	NO MISSING SYMBOL NUMBER	
	28		
	LAST NO. USED	8	

DWO STATUS				REVISION HISTORY				AUTH	DR	APVD	APVD
DATE	STG	REV	N/P	CHG	ZONE						
11AP95	R	A	-	-		WAS PE043987 & RELEASED	950005	JMH	JMH	JET	
06DE95	R	B	-	-		CHANGED MATERIAL SPEC	169895	MRO	MRO	JOS	M
27FE96	R	B1	-	-		REVISED	170601	EMB	EMB	MVA	
09AP98	R	B2	-	-		REVISED GRAPHICS	186367	HGH	HGH	CMP	
19ND01	R	B3	-	-		UPDATED PDM ATTRIBUTES	217386	HAM	MRL	GCD	
26AU05	R	B4	-	-		MAT'L SPEC WAS R0071794, ADDED MAT'L RECYCLE, LOGO AND AUTO FEEDING NOTES	271679	TAI	TAI	RL	



- NOTES
- UNLESS OTHERWISE SPECIFIED AND/OR INDICATED:  
DIMENSIONS ARE TO FACE OF VIEW SHOWN AND AUTOMATICALLY ROUNDED BY COMPUTER FOR INSPECTION (SEE MATH MODEL FOR PRECISE DIMENSIONS). FOR ALL OTHER DIMENSIONS NOT SHOWN BUT REQUIRED FOR TOOL BUILD, SEE MATH MODEL FOR PRECISE TOOL PATH DATA.
  - MATERIAL RECYCLING CODE PER ISO 11469. (1.5)X(0.1) CHARACTERS AS SHOWN TO BE LOCATED ON ANY EXTERIOR SURFACE. OPTIONAL CONSTRUCTION TO BE NO RECYCLING CODE.
  - THIS PART IS NOT CONTROLLED FOR AUTOMATIC FEEDING.
  - REFERENCE MATING COMPONENTS OR EQUIVALENT:  
CONNECTOR 12176505 & 12176506
  - (1.5)X(0.1) DELPHI CORPORATE BRAND TO BE LOCATED ON ANY EXTERIOR SURFACE, PREFERABLY VISIBLE AT FINAL ASSEMBLY. OPTIONAL CONSTRUCTION FOR EXISTING TOOLING MAY BE "PED".

DIMENSIONAL RANGE (MM)		CHART ET	
FROM	TO		
> 0	> 20	> 30	> 70
> 20	> 30	> 70	> 100
> 30	> 70	> 100	> 150
> 70	> 100	> 150	> 200
> 100	> 150	> 200	> 250
> 150	> 200	> 250	> 300
> 200	> 250	> 300	> 400
TOLERANCE UNLESS OTHERWISE SPECIFIED			
±0.15   ±0.2   ±0.3   ±0.4   ±0.5   ±0.6   ±0.8   ±1   ±1.2			
ANGULAR TOLERANCE ±2°			

**DELPHI**  
DELPHI PACKARD ELECTRIC SYSTEMS  
WARREN, OH

DR	DATE
APVD1 TEW/RDS	210C94
APVD2 TEW/RDS	210C94
APVD3 G. DETTER	210C94
APVD4	
APVD5	

SUBSTANCES OF CONCERN AND RECYCLED CONTENT PER DELPHI 10949001

MATERIAL: M3592025 PA66 HS 1M-GR MD

DRAWING NAME: LOCK TPA M/P 280 12 GRA MD

DRAWING NUMBER: 12176513

SIZE: A0  
SCALE: 4:1  
FRAME NO: 1 OF 1  
SHEET NO: 1 OF 1  
STG: R  
REV: B4

# Mouser Electronics

Authorized Distributor

Click to View Pricing, Inventory, Delivery & Lifecycle Information:

[Aptiv:](#)

[12176513](#)