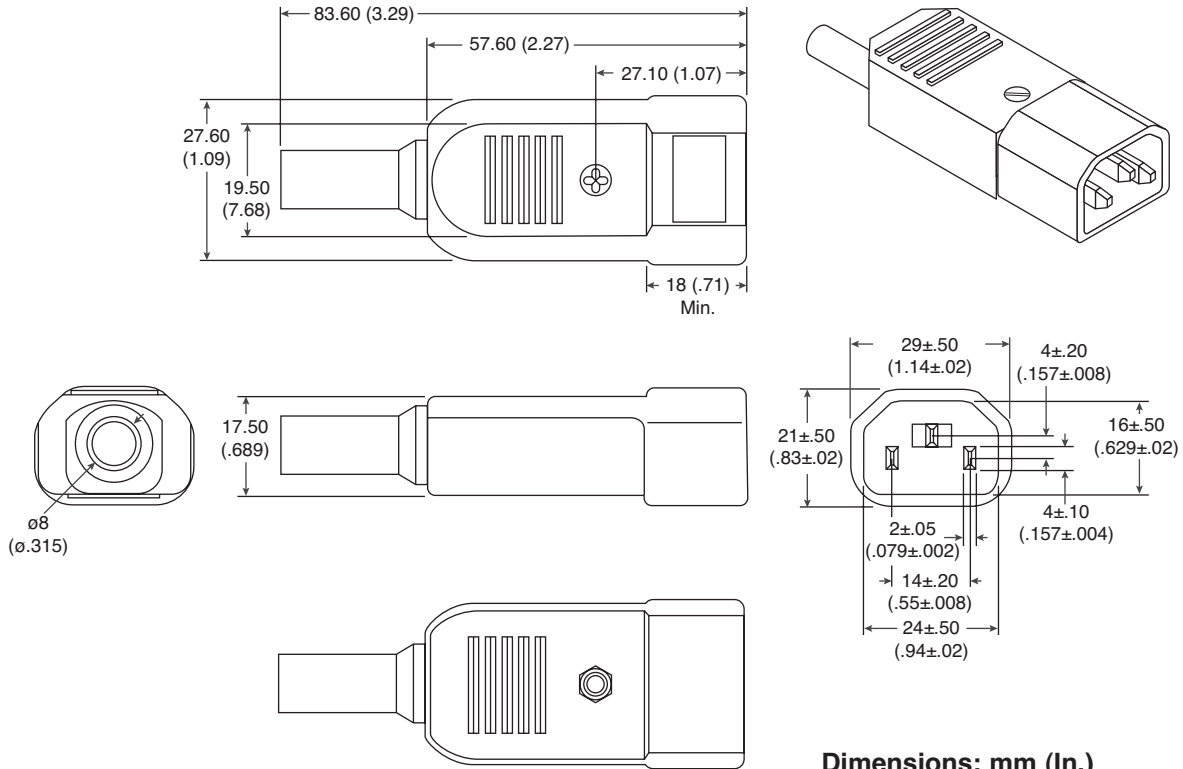


# Cable Connector Inlet

161-R331-E



Cable Connector Inlet



Dimensions: mm (In.)

SPECIFICATIONS	
<b>Rating:</b>	10A, 250VAC
<b>Insulation Resistance:</b>	Over 100MΩ at 500VDC
<b>Dielectric Strength:</b>	2000VAC for 1 Minute

MATERIALS	
<b>Body:</b>	Black Glass-Filled Thermoplastic
RoHS Compliant	

Tolerance
X.XX±0.1
XX.XX±0.2
XXX.XX±0.3

Date Last Revised: 1-30-07

Available from Mouser Electronics  
1-800-346-6873  
www.mouser.com

KC- 301088

161-R331-E

# Mouser Electronics

Authorized Distributor

Click to View Pricing, Inventory, Delivery & Lifecycle Information:

[Kobiconn:](#)

[161-R331-E](#)