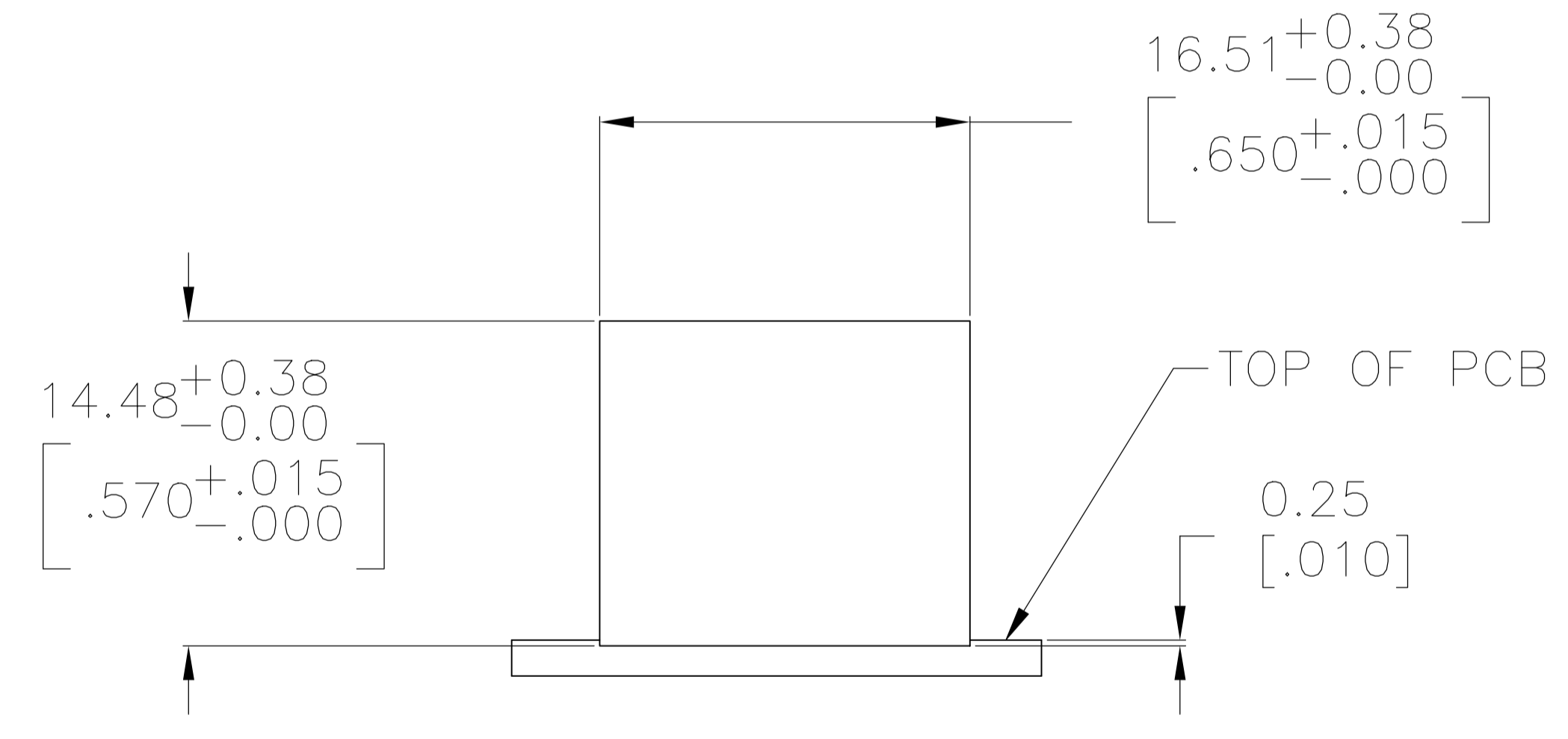
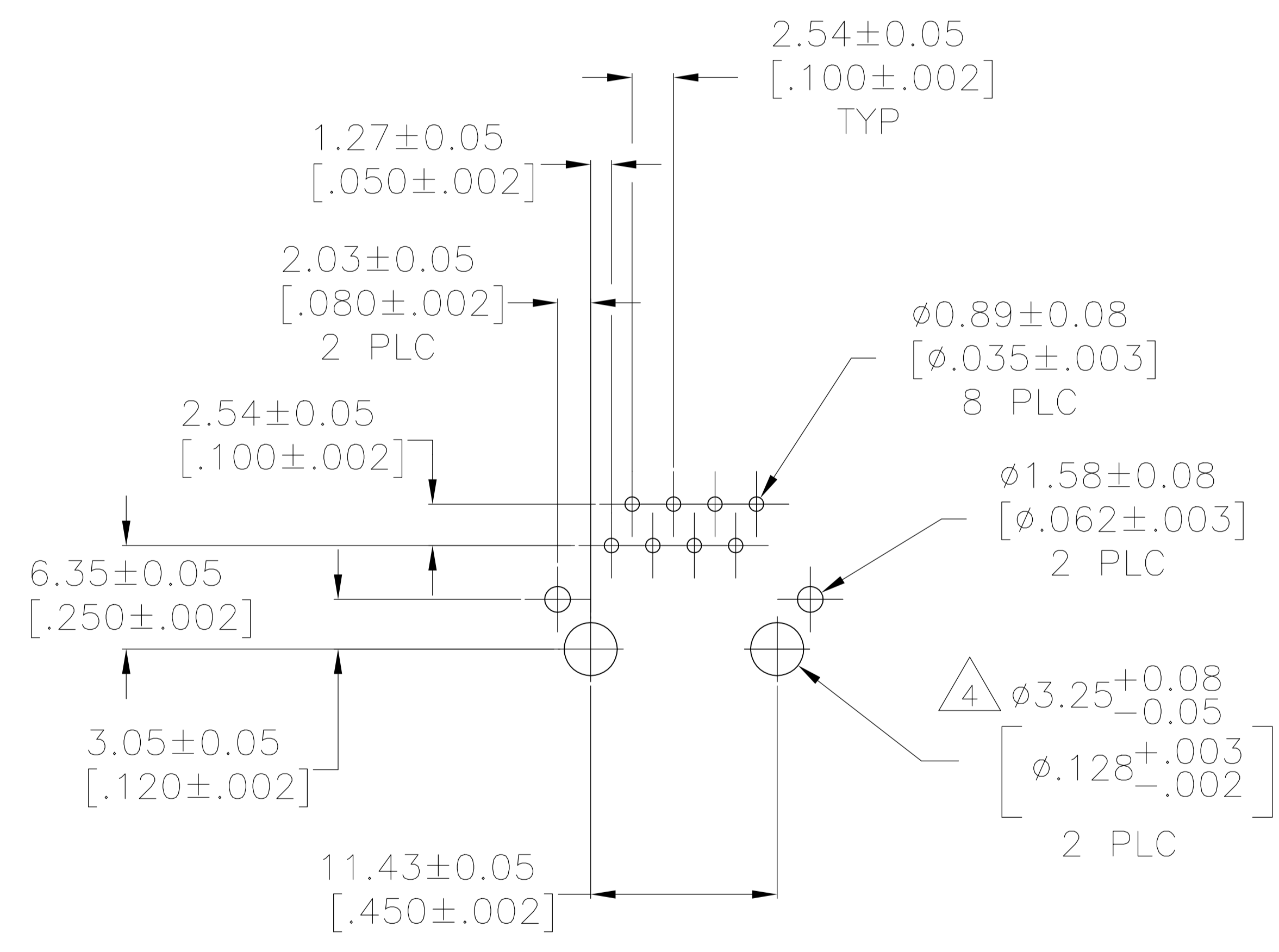
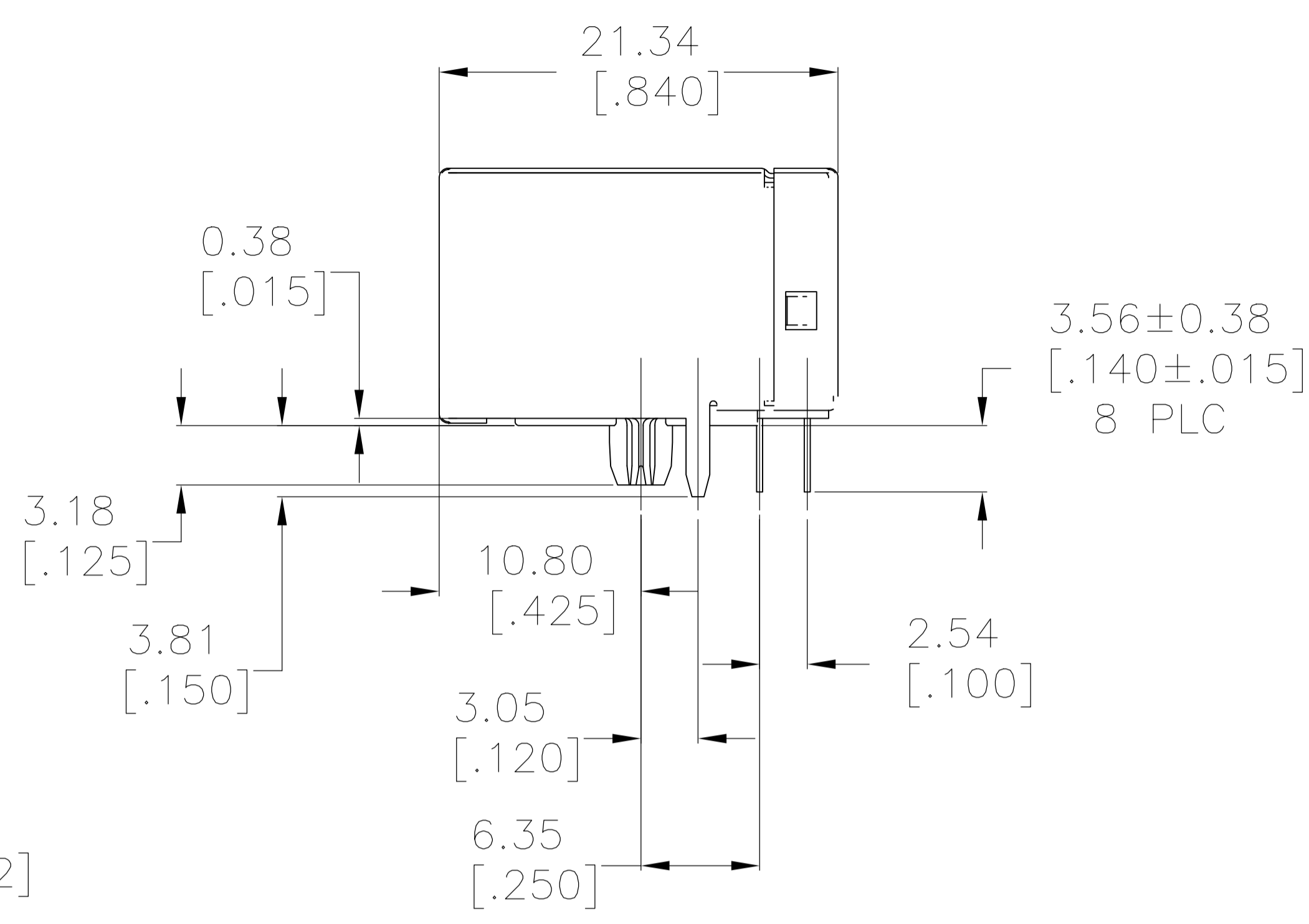
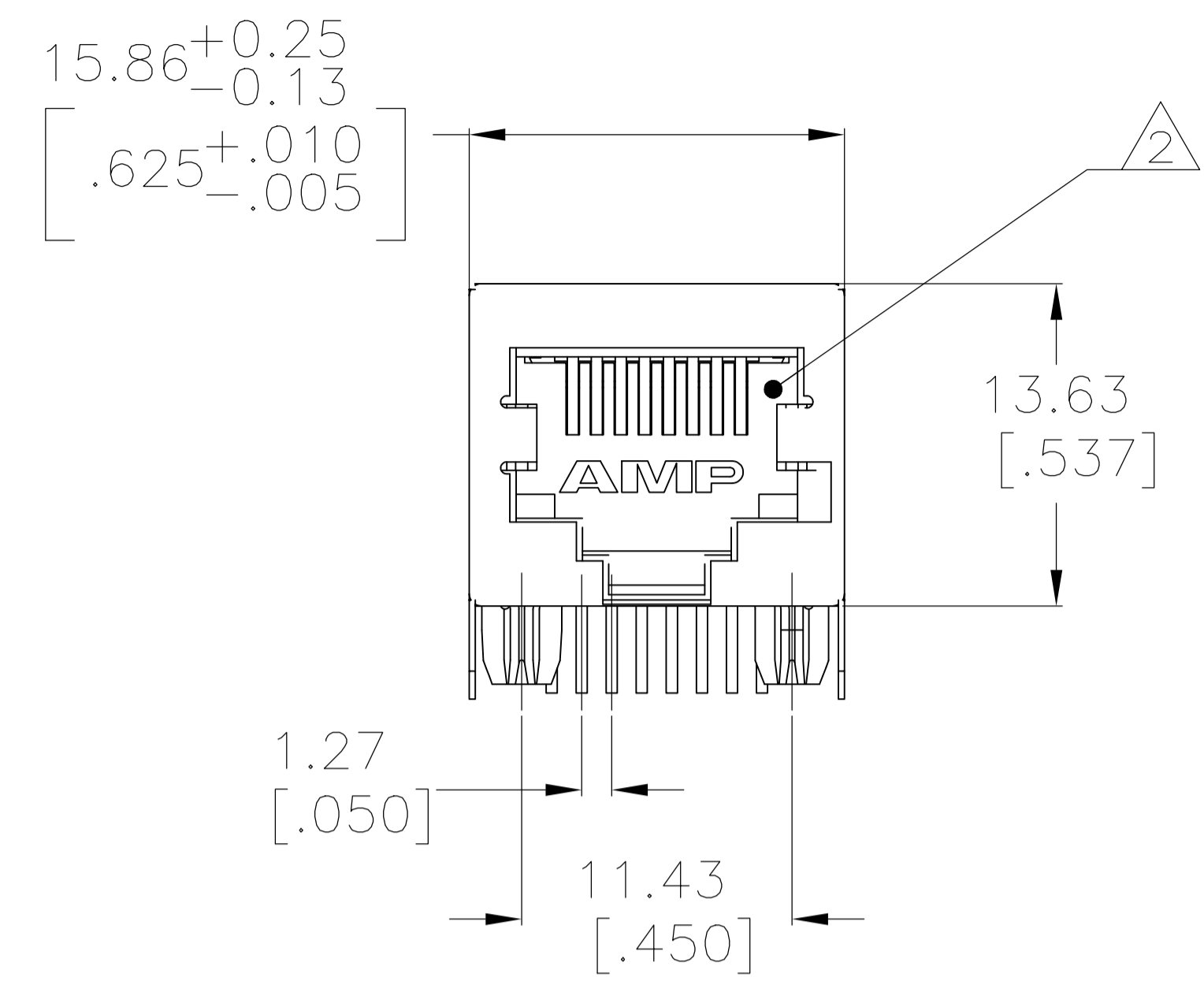


REVISIONS					
P	LTR	DESCRIPTION	DATE	DRN	APVD
C		REV PER ECO-18-000754	29JAN2018	LL	SH



RECOMMENDED PC BOARD LAYOUT
COMPONENT SIDE

RECOMMENDED PANEL CUTOUT

- MATERIAL: HOUSING - NYLON, COLOR: BLACK, UL 94V-0. OVERMOLDED TERMINAL ARRAY - PBT, BROWN. TERMINALS - 0.33[.013] THICK PHOS BRONZE PLATED WITH 1.27um[.000050] MINIMUM HARD GOLD IN LOCALIZED AREA AND 3.81um[.000150] MINIMUM TIN IN SOLDER AREA OVER 1.27um[.000050] MINIMUM NICKEL UNDERPLATE. SHIELD - 0.254[.010] THICK COPPER ALLOY PLATED WITH 1.27um[.000050] MINIMUM NICKEL AND 2.03um[.000080] MINIMUM HOT TIN DIP ON PCB GROUND TABS.
- JACK CAVITY CONFORMS TO FCC RULES AND REGULATIONS, PART 68 SUBPART F.
- ALL DIMENSIONS SHOWN ARE NOMINAL UNLESS OTHERWISE SPECIFIED.
- USE #30 DRILL BIT OR 3.25mm DRILL BIT WHEN PRODUCING THESE PCB HOLES.
- DIELECTRIC WITHSTANDING VOLTAGE BETWEEN SHIELD AND TERMINAL IS 1500 VAC

TUBE	6116526-2
TRAY	6116526-1
PACKAGE	PART NUMBER

THIS DRAWING IS A CONTROLLED DOCUMENT.		DRN L. VARELA - DOCKS 13JUN2005	NAME TE Connectivity Ltd.
DIMENSIONS: mm [INCHES]	TOLERANCES UNLESS OTHERWISE SPECIFIED:	CHK J. WESTMAN 13JUN2005	PRODUCT SPEC 108-1163-2
	0 PLC ± -	APVD S. FLICKINGER 13JUN2005	APPLICATION SPEC 114-2048
	1 PLC ± -		SIZE CAGE CODE DRAWING NO A100779 C-6116526
MATERIAL SEE NOTE 1	FINISH SEE NOTE 1	WEIGHT -	RESTRICTED TO -
CUSTOMER DRAWING		SCALE 4:1	SHEET 1 OF 1