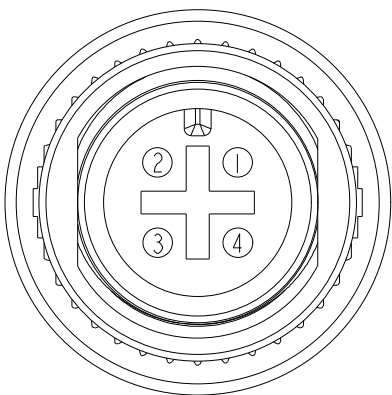
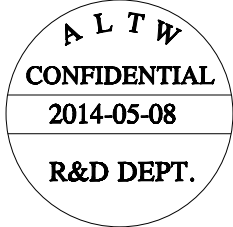
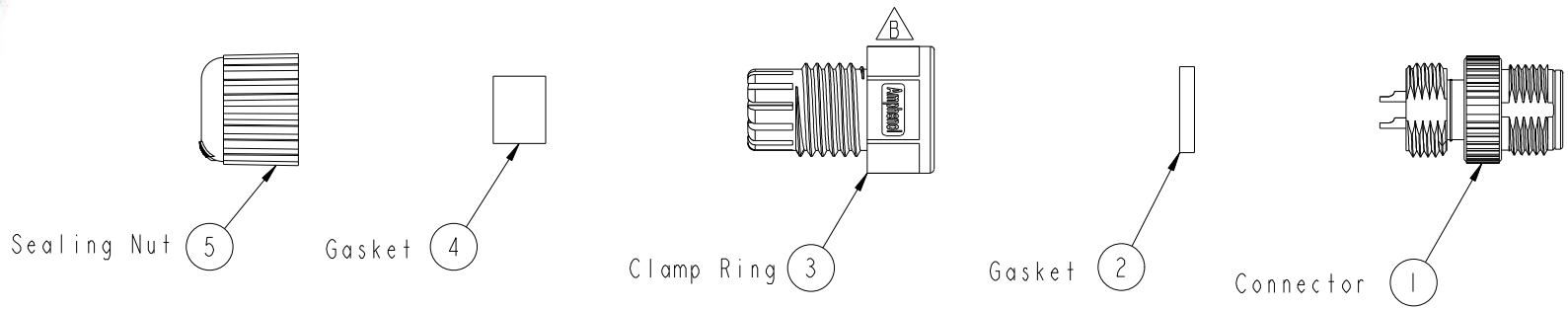
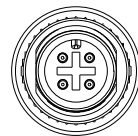
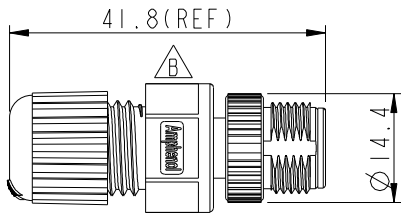


| | | | | |
|------|------------|------------|--------|-------------------------|
| REV. | ECN NO. | DATE | SIGN | DESCRIPTION |
| B | LEN1450091 | 2014/05/08 | Jinhai | Change LOGO To Amphenol |



Pin Assignments
Front View



Conn

Note:

- * \varnothing Important Dimension To Check.
- * Waterproof Rate: IP68
- * Housing: Black, Nylon+GF
- * Pin: Copper Alloy, Gold Plated
- * Nut: Zinc Alloy, Nickel Plated
- * Gasket: Black, EPDM
- * Clamp Ring: Black, Nylon
- * Sealing Nut: Black, Nylon
- * Seal: Black, EPDM
- * Seal For Cable OD: $\varnothing 4.5\text{mm}-\varnothing 6.5\text{mm}$

| | | |
|-----------|-----------|--|
| UNIT:mm | | |
| TOLERANCE | ± 0.5 | |

| | | | |
|---|----------------|---------------------|--|
| TITLE M12 Conn Assy Screw 4Pin M Conn M Pin | | | |
| SCALE 1:1 | SIZE A4 | SHEET 1 OF 1 | |
| REV. B | WC-REV. A.3 | QC: Inspection item | |

Amphenol LTW
安費諾亮泰企業股份有限公司

| | | |
|-----------------------------|----------------------|--------------------|
| ITEM NO 12-04BMMA-SL8001 | DRAWN BY Jinhai | DATE 2014-05-08 |
| DWG NO 12-04BMMA-SL8001 | CHECKED BY Di-Lu | DATE 2014-05-08 |
| CUSTOMER ALTW | APPROVED BY Jerry | DATE 2014-05-08 |

THIS DOCUMENT IS SUBJECT TO CHANGE WITHOUT NOTICE. IT IS CONFIDENTIAL AND A PROPERTY OF Amphenol LTW. DISCLOSURE TO THIRD PARTY HAS TO BE AUTHORIZED BY Amphenol LTW.

Mouser Electronics

Authorized Distributor

Click to View Pricing, Inventory, Delivery & Lifecycle Information:

[Amphenol:](#)

[12-04BMMA-SL8001](#)