

Customer Information Sheet

DRAWING No.: C90-310IFXXSX-XX

IF IN DOUBT - ASK

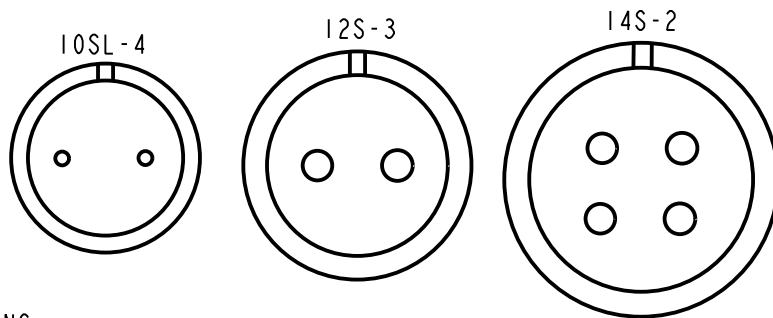
©

NOT TO SCALE

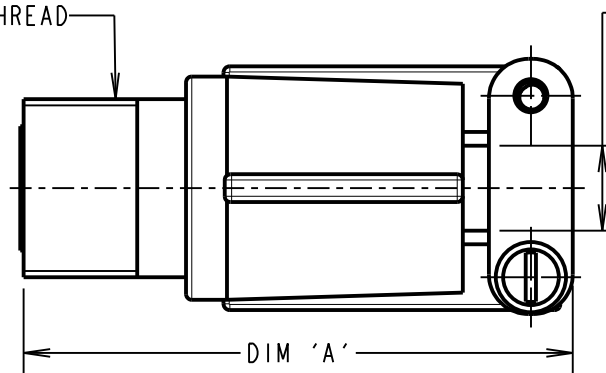
THIRD ANGLE PROJECTION

ALL DIMENSIONS IN mm

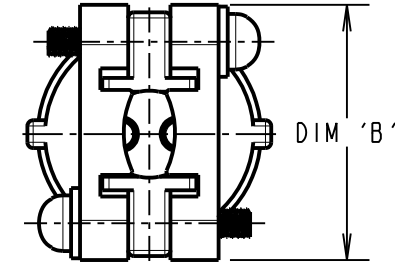
CONTACT LAYOUT (SHOWN LOOKING AT THE MATING FACE)



'C' THREAD



Ø DIM 'D'
SEE NOTE 4



SPECIFICATIONS:

MATERIAL:

SHELL = ALUMINIUM ALLOY
INSULATOR = SYNTHETIC RUBBER
GROMMET = SYNTHETIC RUBBER
CONTACT = COPPER ALLOY

FINISH:

SHELL = ZINC COBALT ALLOY, BLACK
CONTACT = SILVER

ENVIRONMENTAL:

OPERATING TEMPERATURE = -55°C TO +125°C

MECHANICAL:

VIBRATION SENSITIVITY = 10Hz TO 500Hz, 98m/s² (10G)
SHOCK SEVERITY = 490m/s² (50G) FOR 11ms
WATER RESISTANCE (SEALING) = 1.8m FOR 48HRS, EXCEEDS IP67

ELECTRICAL:

CURRENT RATING = 13A

VOLTAGE RATING:

10SL & 12S SHELL SIZES = 500V AC, 700V DC

14S SHELL SIZE = 200V AC, 250V DC

VOLTAGE PROOF:

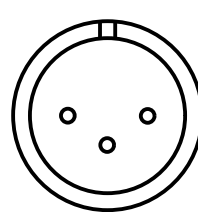
10SL & 12S SHELL SIZES = 2,000V AC

14S SHELL SIZE = 1,000V AC

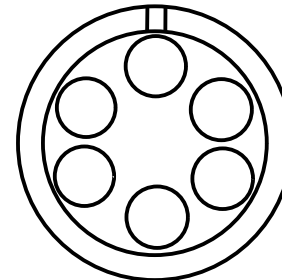
INSULATION RESISTANCE = 5,000MΩ MIN.

FOR MECHANICAL/ELECTRICAL REQUIREMENTS,
SEE COMPONENT SPECIFICATION CO45XX (LATEST ISSUE)

10SL-3



14S-6



ORDER CODE:

C90-310IFXXXX-XX

SHELL SIZE (CONTACT LAYOUT):

10SL-3, 10SL-4, 12S-3, 14S-2
14S-6

CONTACT GENDER:

P - MALE
S - FEMALE

NOTES:

1. PRODUCT IS RoHS COMPLIANT
2. PRODUCT IS PACKED IN BAGS.
3. RECOMMENDED WIRE SIZE = 16-22 AWG.
4. RECOMMENDED WIRE STRIP LENGTH = 7.5mm.
5. CABLE CLEARANCE.

SHELL SIZE	DIM 'A' MAX	DIM 'B' MAX	'C' THREAD	Ø DIM 'D' MAX
10SL	54.10	22.76	5/8-24UNEF	7.14
12S	54.10	22.76	3/4-20UNEF	7.14
14S	54.10	25.94	7/8-20UNEF	10.31

MSP	9	19.07.17	20038
NAME	ISS.	DATE	C/NOTE
APPROVED: M.PERREN			
CHECKED: M.PLESTED			
DRAWN: R.ADDE			
CUSTOMER REF.:			
ASSEMBLY DRG:			

HARWIN

www.harwin.com
technical@harwin.com

THIS DRAWING AND ANY INFORMATION OR DESCRIPTIVE MATTER SET OUT HEREON ARE CONFIDENTIAL AND COPYRIGHT PROPERTY OF THE HARWIN GROUP AND MUST NOT BE DISCLOSED, LOANED, COPIED OR USED FOR MANUFACTURING, TENDERING OR FOR ANY OTHER PURPOSE WITHOUT THEIR WRITTEN PERMISSION.

TOLERANCES

X. = ±1mm
X.X = ±0.50mm
X.XX = ±0.10mm
X.XXX = ±0.01mm

ANGLES = ±5°
UNLESS STATED

MATERIAL:

SEE ABOVE

FINISH: SEE ABOVE

S/AREA:

mm²

TITLE:

CABLE CONNECTOR

DRAWING NUMBER:

C90-310IFXXSX-XX

SHT
2
OF
2