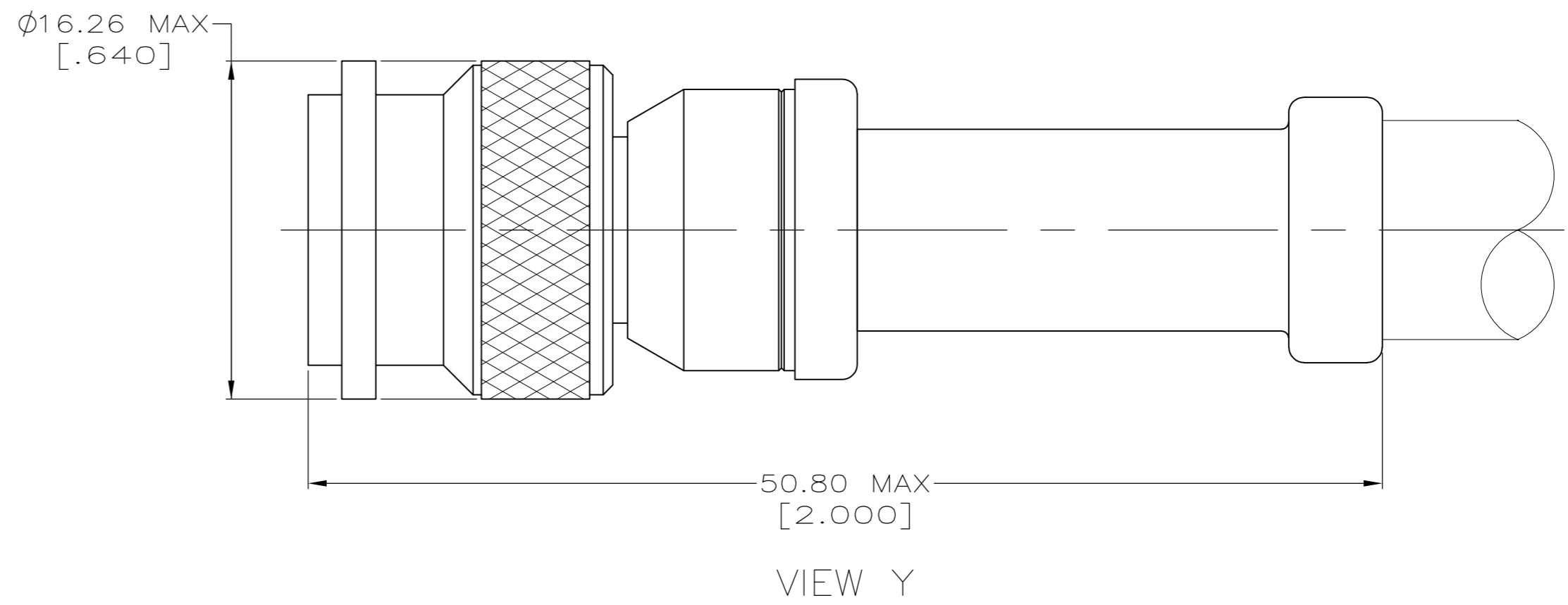
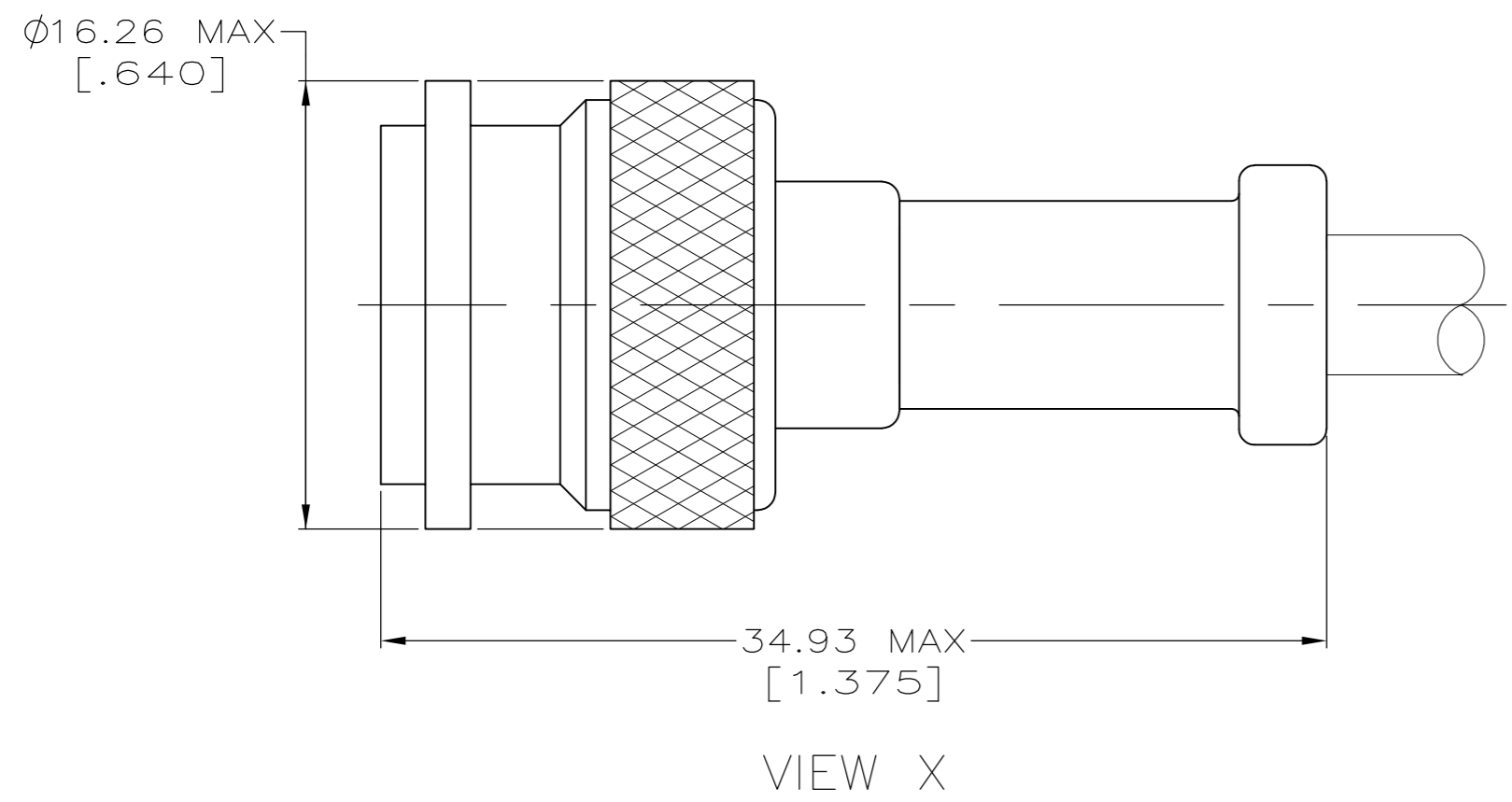
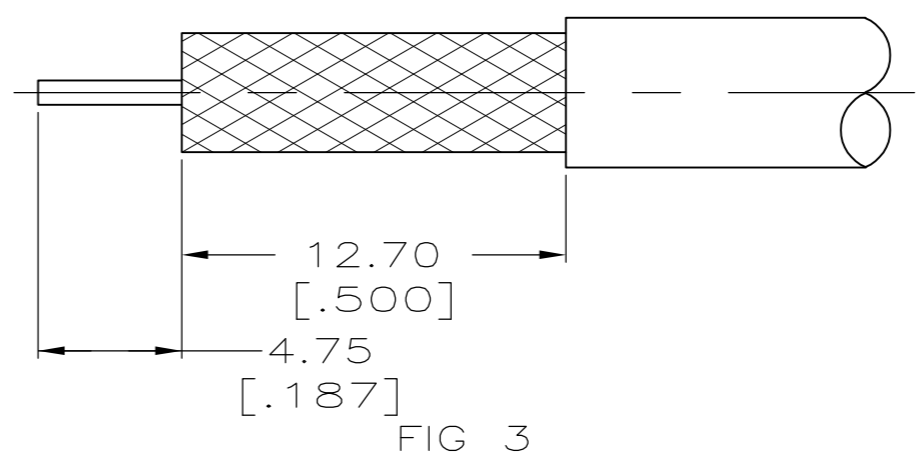
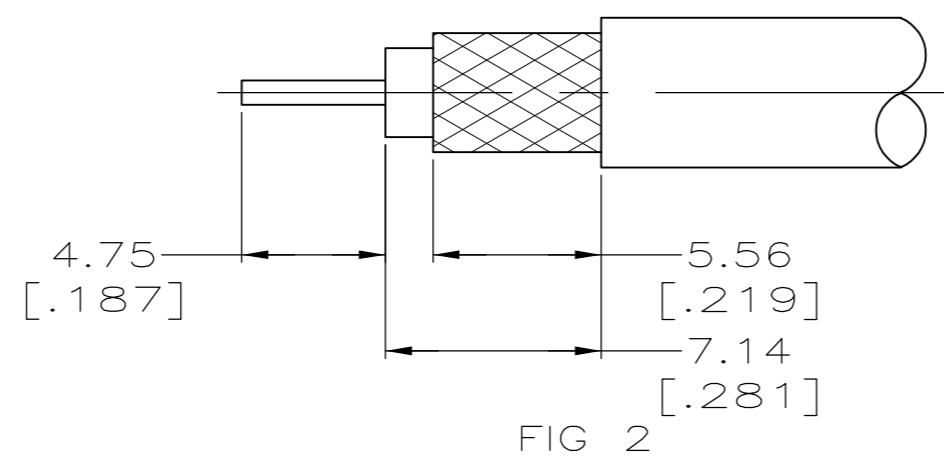
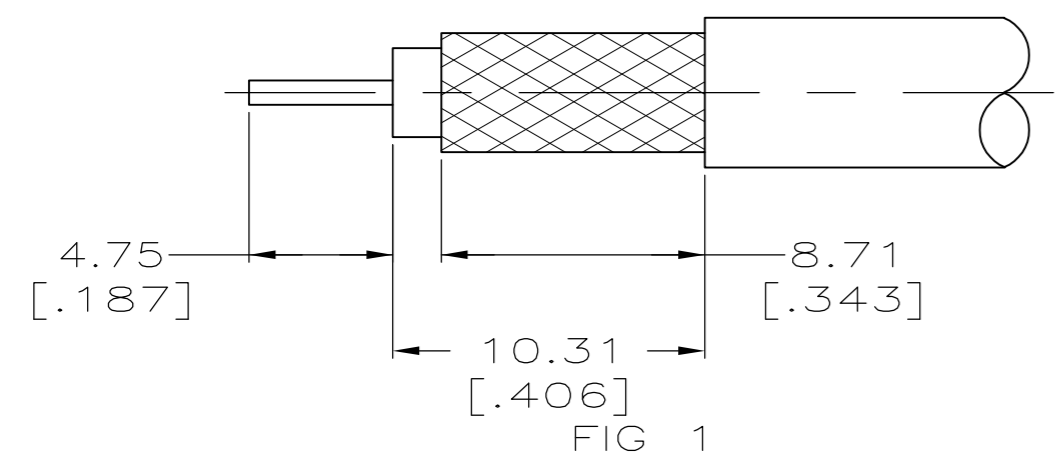


THIS DRAWING IS UNPUBLISHED. RELEASED FOR PUBLICATION
 © COPYRIGHT - By - ALL RIGHTS RESERVED.

LOC		DIST		REVISIONS					
AJ		00		P	LTR	DESCRIPTION	DATE	DWN	APVD
				H3		REVISED PER ECO-11-005030	11MAR11	RK	HMR



1. SEE I.S. 2299-1



RECOMMENDED STRIP LENGTH

OBSOLETE	RG-8/U, 8A/U, 213/U	3	220015-1	332022	9-331987-0	225596-2	5-225593-0	Y	9-225555-0
OBSOLETE	RG-115A/U	3	220015-1	332022	9-331987-0	225596-2	5-225593-1	Y	225555-9
OBSOLETE	RG-9/U, 9A/U, 9B/U, 214/U	3	220015-1	332022	9-331987-1	225596-2	5-225593-0	Y	225555-8
	RG-8/U, 8A/U, 213/U	3	220015-1	332022	9-331987-0	225596-2	5-225593-0	Y	225555-7
	RG-142/U, 142A/U, 142B/U	1	220045-2	225592-2	9-225560-0	225467-6	225457-2	X	225555-6
OBSOLETE	RG-141/U, 141A/U	1	220045-2	225592-1	9-225560-1	225467-6	225457-2	X	225555-5
OBSOLETE	RG-59B/U, 62B/U	2	220045-3	225592-3	9-225560-2	225467-4	225457-4	X	225555-3
	RG-58A/U, 58C/U	1	220045-2	225592-1	9-225560-1	225467-2	225457-2	X	225555-2

FOR USE WITH CABLE	FIGURE	CRIMP TOOL	④	SEAL	③	FERRULE	②	CONTACT	①	PLUG ASSEMBLY	VIEW	PART NUMBER
				QTY=1		QTY=1		QTY=1		QTY=1		

THIS DRAWING IS A CONTROLLED DOCUMENT.

DIMENSIONS: mm [INCHES]	TOLERANCES UNLESS OTHERWISE SPECIFIED: 0 PLC ± - 1 PLC ± - 2 PLC ± .025 [.010] 3 PLC ± - 4 PLC ± - ANGLES ± -	FINISH	MATERIAL

APVD M. PHILLIPS 3-16-92	CHK W. R. GRAY 3-16-92	DWN M. E. COWHER 3-9-92
PRODUCT SPEC	APPLICATION SPEC	WEIGHT

TE Connectivity

PLUG, DUAL CRIMP, TNC

SIZE	CAGE CODE	DRAWING NO	RESTRICTED TO
A2	00779	C=225555	-

CUSTOMER DRAWING SCALE 4:1 SHEET 1 OF 1 REV H3

Mouser Electronics

Authorized Distributor

Click to View Pricing, Inventory, Delivery & Lifecycle Information:

[TE Connectivity:](#)

[225555-6](#)