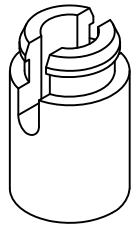
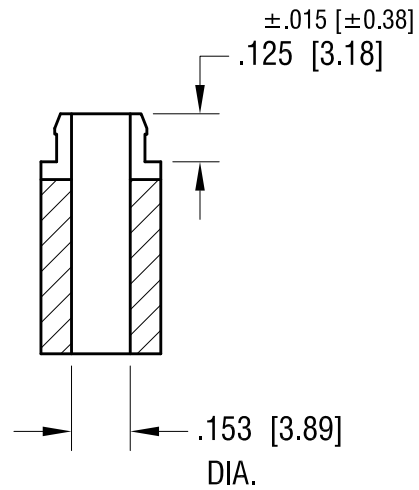
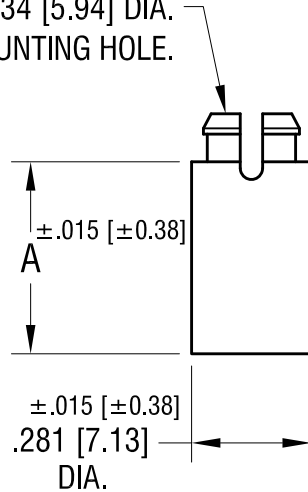


THIS DOCUMENT IS THE PROPERTY OF  
KEYSTONE ELECTRONICS CORP. AND  
SHALL NOT BE REPRODUCED, DISTRIBUTED  
OR USED AS A BASIS FOR MANUFACTURE  
WITHOUT PRIOR WRITTEN PERMISSION  
FROM KEYSTONE ELECTRONICS CORP.



FOR .234 [5.94] DIA.  
MOUNTING HOLE.



PART NO.	'A' DIM.
9033	.250 [6.35]
9034	.375 [9.53]
9035	.500 [12.70]
9036	.625 [15.88]

11.05.09	CHANGE AS PER ECN 09-161	B
5.04.09	CHANGE AS PER ECN 09-036	A
DATE	DESCRIPTION	REV.

<b>KEYSTONE ELECTRONICS CORP.</b>			
www.keyelco.com • ASTORIA, N.Y. 11105-2017 • Tel (718) 956-8900			
PART NAME THRU HOLE SPACER			
MATERIAL NYLON UL 94V-0			
FINISH -		DRN BY BOONE	DATE 8.29.06
		APP'D	SCALE 2X
TOLERANCES DECIMAL ANGULAR UNLESS OTHERWISE SPECIFIED	INCH [MM] ± .005 [± 0.15]	CODE C/M	DWG NO. <b>9033-9036</b>

# Mouser Electronics

Authorized Distributor

Click to View Pricing, Inventory, Delivery & Lifecycle Information:

[Keystone Electronics:](#)

[9036](#)