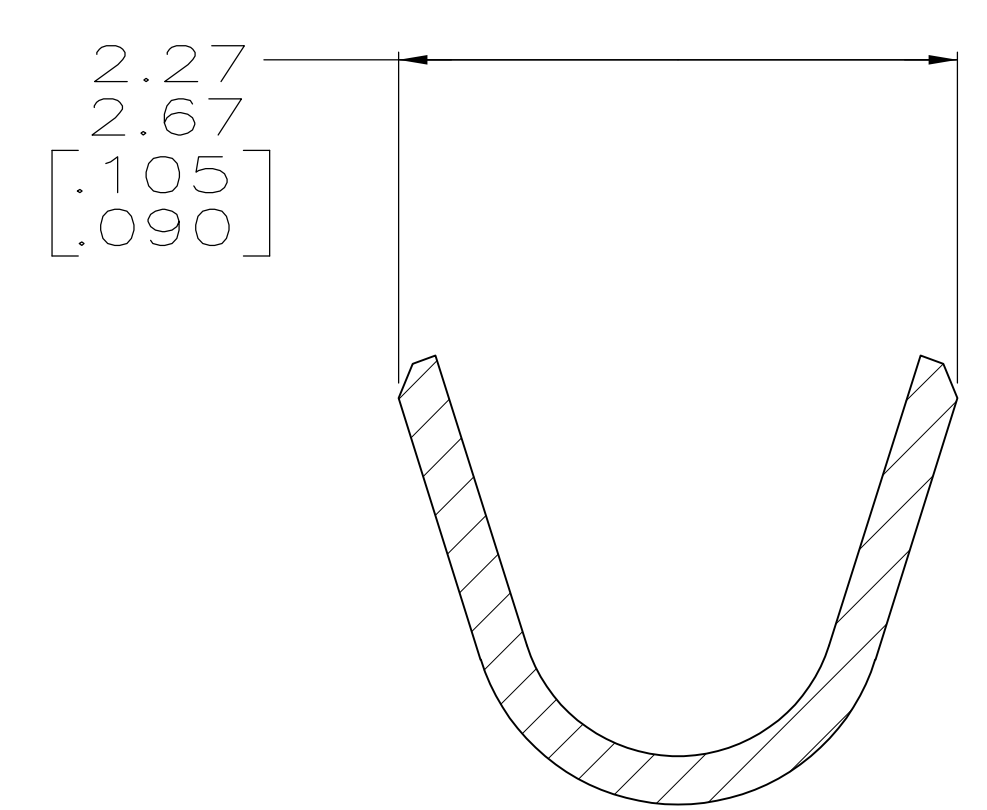
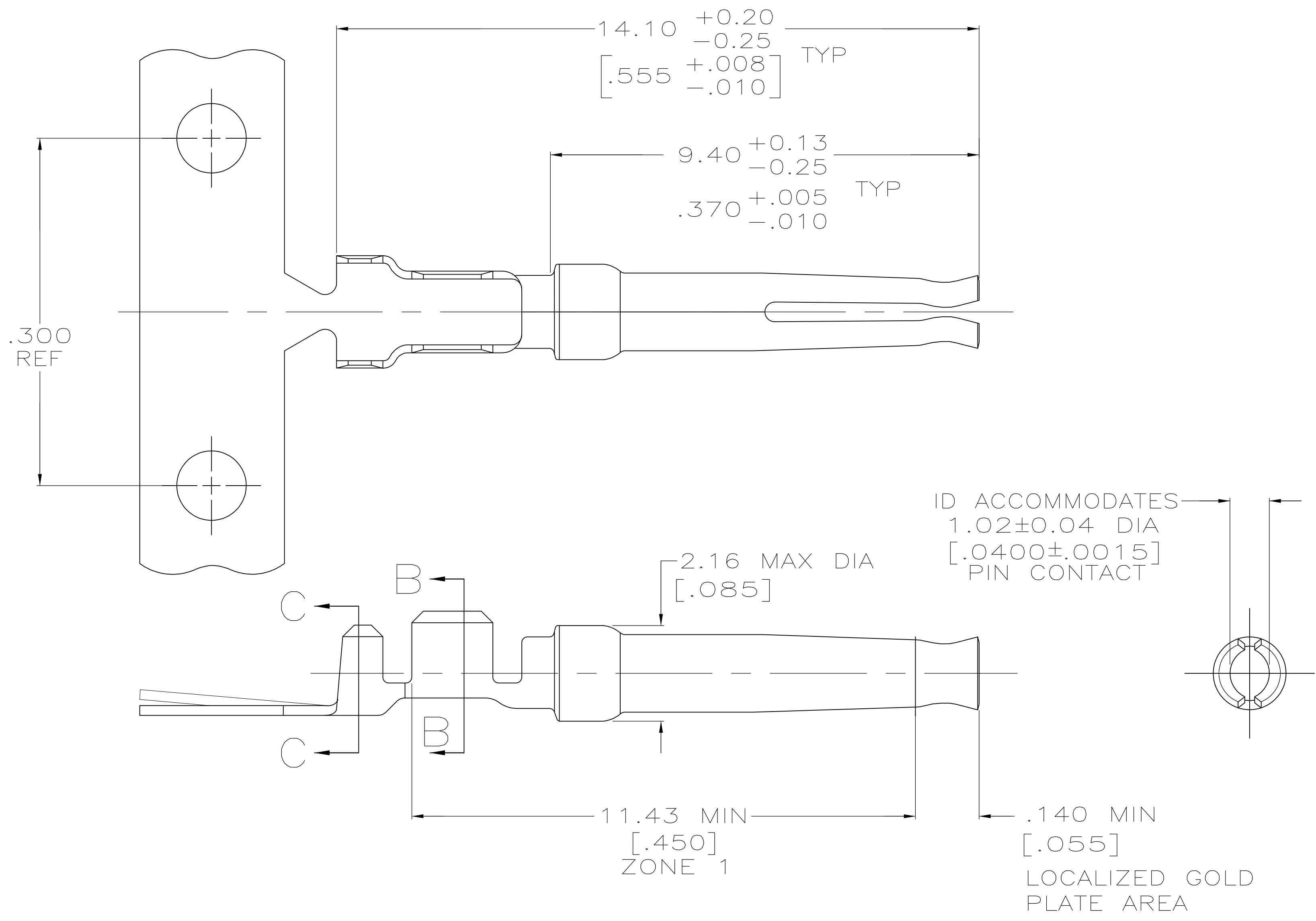
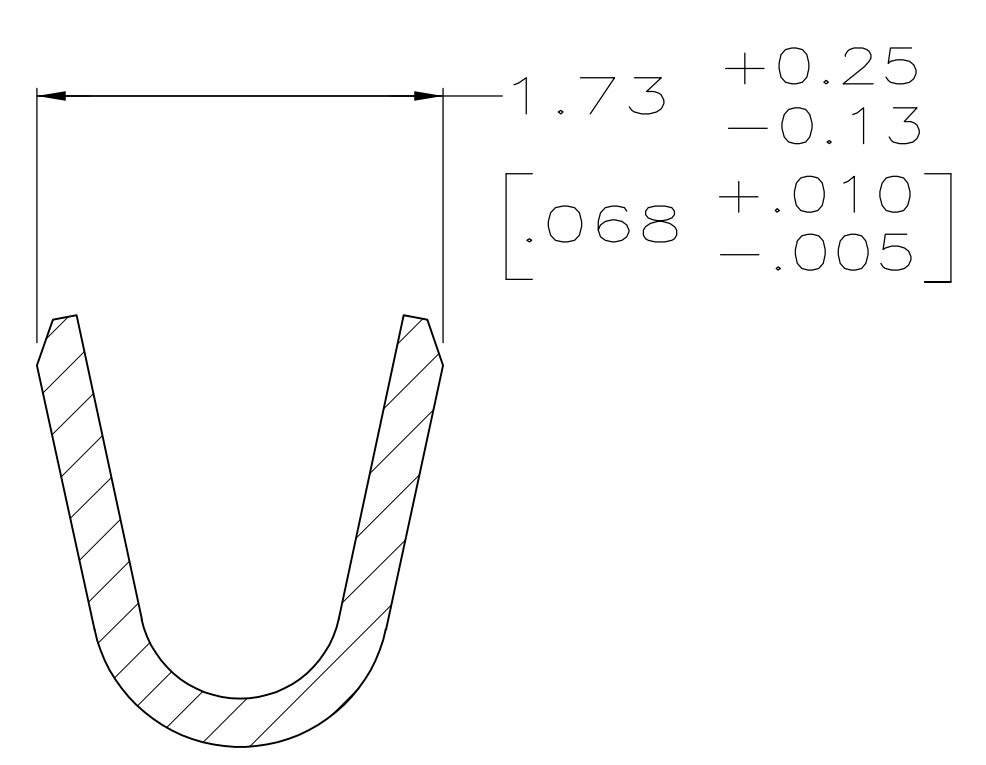


DETAIL Z
SCALE 8:1



SECTION C-C
SCALE 20:1
INSULATION BARREL



SECTION B-B
SCALE 20:1
WIRE BARREL

- 1 FOR MINI-APPLICATOR AND STRIPPER CRIMPER.
- 2 FOR HAND TOOL USE ONLY.
- 3 FOR STANDARD APPLICATOR PART #566171 ONLY.
- 4. WIRE RANGE OF 20-24 AWG. INSULATION RANGE OF 1.27/1.52 [.050-.060].
- 5. GOLD PLATING MAY NOT APPEAR ON CARRIER STRIP. NICKEL UNDERPLATE COVERS ENTIRE CONTACT.
- 6 GOLD PLATING PER MIL-G-45204, NICKEL PLATING PER QQ-N-290, TIN PLATING PER MIL-T-10727, COPPER PLATING PER MIL-C-14550.
- 7 PLATED WITH 1.27μm [.000050] GOLD ON INSIDE OF LOCALIZED GOLD PLATE AREA, 1.27μm [.000050] GOLD ON ZONE 1, ALL OVER 1.27μm [.000050] NICKEL UNDERPLATE.
- 8 PLATED WITH 0.76μm [.000030] GOLD ON INSIDE OF LOCALIZED GOLD PLATE AREA, GOLD FLASH ON ZONE 1, ALL OVER 1.27μm [.000050] NICKEL UNDERPLATE.
-OR-
GOLD FLASH OVER PALLADIUM-NICKEL 0.76μm [.000030] TOTAL ON INSIDE OF LOCALIZED GOLD PLATE AREA, GOLD FLASH ON ZONE 1, ALL OVER 1.27μm [.000050] NICKEL UNDERPLATE.
- 9 GOLD FLASH ON INSIDE OF LOCALIZED GOLD PLATE AREA, GOLD FLASH ON ZONE 1, ALL OVER 0.76μm [.000030] NICKEL UNDERPLATE.
- 10 PLATED WITH 2.54μm - 5.08μm [.000100 - .000200] TIN.
- 11 PLATED WITH 0.38μm [.000015] GOLD IN LOCALIZED GOLD PLATE AREA, GOLD FLASH ON REMAINDER, OVER 1.27μm [.000050] NICKEL.
- 12 PLATED WITH GOLD FLASH IN LOCALIZED GOLD PLATE AREA, 2.54μm [.000100] TIN PLATED WIRE BARRELS, OVER 0.76μm [.000030] NICKEL.
- 13 PLATED WITH 0.76μm [.000030] GOLD IN LOCALIZED GOLD PLATE AREA, TIN PLATED WIRE BARRELS, OVER 1.27μm [.000050] NICKEL.
- 14 AMP ITALY PART NUMBER ONLY.
- 15 PLATED WITH 1.27μm [.000050] GOLD ON INSIDE OF LOCALIZED GOLD PLATE AREA, GOLD FLASH ON ZONE 1, ALL OVER 1.27μm [.000050] NICKEL UNDERPLATE.
- 16 PLATED WITH GOLD FLASH IN LOCALIZED GOLD PLATE AREA, 0.76μm [.000030] MIN TIN PLATED WIRE BARRELS, OVER 0.76μm [.000030] MIN NICKEL.

| OBSOLETE | SPECIAL | 13 | 1 | - | 7-66504-4 |
|----------------|------------|-----|-------------|--------------|-----------|
| OBSOLETE | SPECIAL | 13 | 1 | - | 7-66504-3 |
| OBSOLETE | STANDARD | 16 | 1 | - | 7-66504-2 |
| OBSOLETE | STANDARD | 13 | 3 | - | 7-66504-1 |
| | SMALL PACK | 8 | 2 | SEE DETAIL Z | 7-66504-0 |
| | STANDARD | 15 | 1 | - | 6-66504-8 |
| OBSOLETE | STANDARD | 13 | 2 | SEE DETAIL Z | 6-66504-0 |
| OBSOLETE | STANDARD | 13 | 1 | - | 5-66504-9 |
| OBSOLETE | STANDARD | 12 | 2 | SEE DETAIL Z | 5-66504-7 |
| OBSOLETE | STANDARD | 12 | 1 | - | 5-66504-6 |
| OBSOLETE | STANDARD | 10 | 1 | - | 1-66504-4 |
| | STANDARD | 8 | 3 | - | 1-66504-2 |
| | STANDARD | 9 | 2 | SEE DETAIL Z | 1-66504-0 |
| | STANDARD | 8 | 2 | SEE DETAIL Z | 66504-9 |
| | STANDARD | 7 | 2 | SEE DETAIL Z | 66504-8 |
| | STANDARD | 9 | 1 | - | 66504-4 |
| | STANDARD | 8 | 1 | - | 66504-3 |
| | STANDARD | 7 | 1 | - | 66504-2 |
| PACKAGING TYPE | FINISH | USE | LOOSE PIECE | PART NUMBER | |

THIS DRAWING IS A CONTROLLED DOCUMENT. DIMENSIONING AND TOLERANCING PER ASME Y14.5M-2009.

| | | | |
|--|--|---------------------------|--|
| DIMENSIONS: mm [INCHES] | TOLERANCES UNLESS OTHERWISE SPECIFIED: | DIN C. RICHARD 3-19-90 | STE TE Connectivity |
| 0 PLC ± - | 1 PLC ± - | CHK: W. G. LENKER 3-22-90 | |
| 2 PLC ± 0.13 [.005] | 3 PLC ± - | APVD: J. ASSINI 3-28-90 | NAME: SOCKET CONTACT, SIZE 20 DF, 20-24 AWG, AMPLIMITE |
| 4 PLC ± - | ANGLES ± - | APPLICATION SPEC | SIZE: A1 |
| MATERIAL: PHOSPHOR BRONZE PER QQ-B-750 | FINISH: SEE TABLE | WEIGHT: - | CAGE CODE: 00779 |
| | | DRAWING NO: 66504 | RESTRICTED TO: - |
| | | CUSTOMER DRAWING | SCALE: 15:1 SHEET 1 OF 1 REV: AP |

Mouser Electronics

Authorized Distributor

Click to View Pricing, Inventory, Delivery & Lifecycle Information:

[TE Connectivity:](#)

[7-66504-0](#)