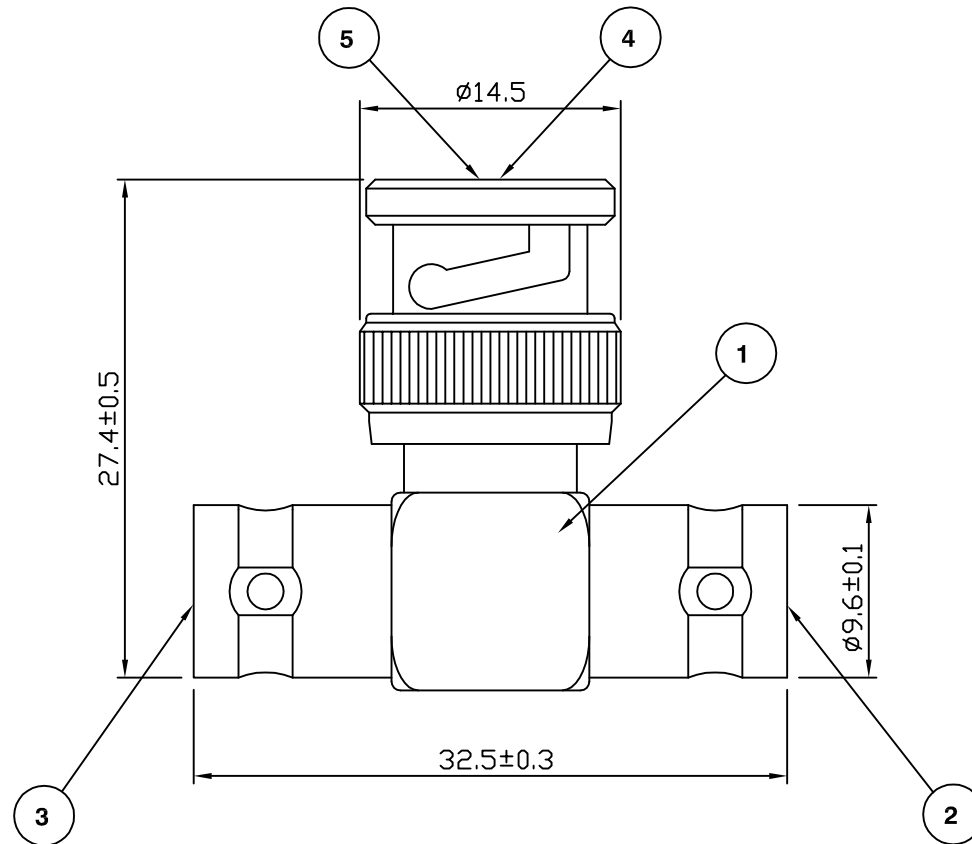


RoHS COMPLIANT



**Electrical Characteristics**

Nominal Impedance:	75 ohms
Frequency Range:	DC to 1 GHz
VSWR:	1.3:1 maximum
Insertion Loss:	0.2 dB at 1 GHz
Operating Voltage (rms):	500 V maximum at sea level
Dielectric Withstand Voltage (rms):	1500 V maximum at sea level
Contact Resistance:	3.0 milliohms maximum
Insulation Resistance:	5000 megohms minimum

**Mechanical Characteristics**

Mating Cycles:	500 cycles minimum
Interface Dimensions:	Conform to MIL-C-39012

**Environmental Characteristics**

Temperature Range:	-65 °C to +165 °C
--------------------	-------------------

PART	DESCRIPTION
1	Body Brass, nickel plated
2	Insulator Delrin
3	Insulator Delrin
4	Insulator Delrin
5	Contact Brass, gold plated

First Issue	JW	1	04 Apr 06
DESCRIPTION OF REVISION	APPVD	ISS	DATE



Cinch Connectivity Solutions  
7-13 Russel Way,  
Widford Industrial Estate,  
Chelmsford, Essex,  
CM1 3AA, UK.  
Tel: +44 (0) 1245 359515  
Fax: +44 (0) 1245 358938

SCALE: Not To Scale	DRAWN BY: J Williams
DIMENSIONS: mm	CHECKED BY: M Terry
TOLERANCES: ± 0.2mm unless otherwise stated	APPROVED BY: A Tusi
	DATE: 04 Apr 06

TITLE:  
**BNC Plug to BNC Jack to  
BNC Jack**

PART NUMBER: <b>VBA109-75</b>
PAGE: 1 of 1

# Mouser Electronics

Authorized Distributor

Click to View Pricing, Inventory, Delivery & Lifecycle Information:

[Cinch Connectivity Solutions:](#)

[VBA109-75](#)