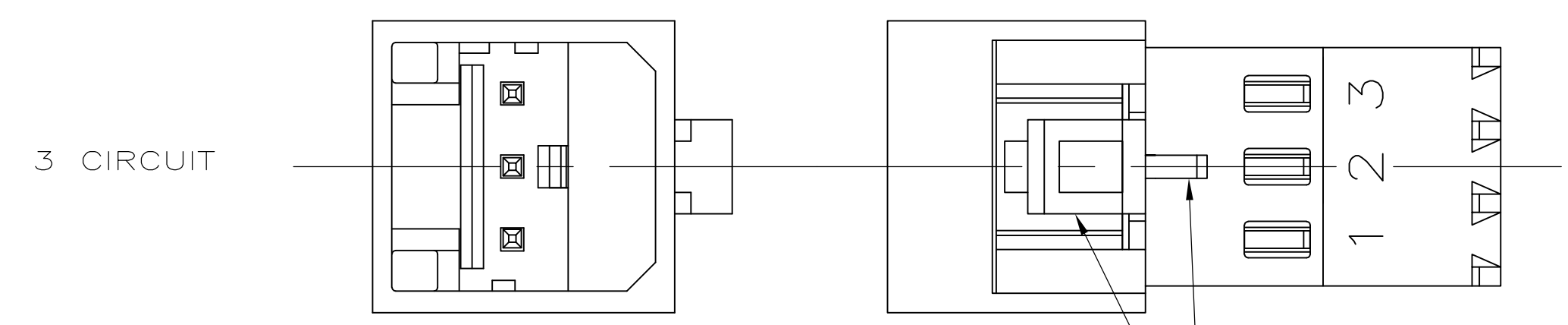
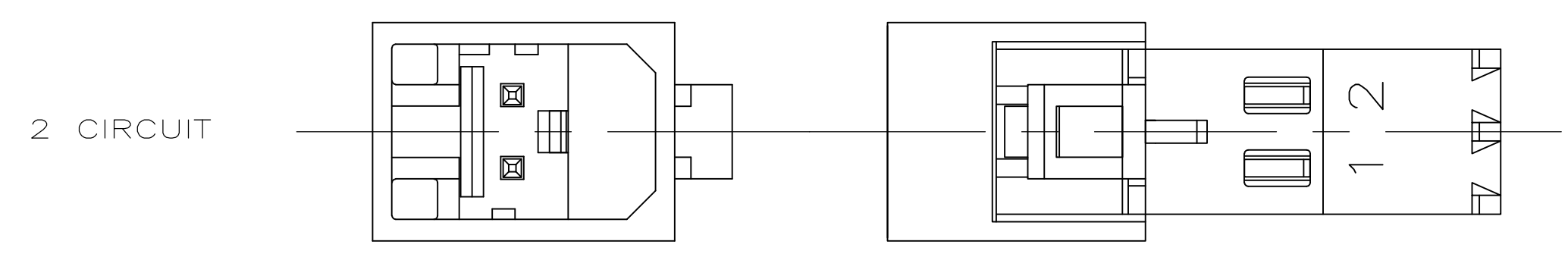


SECTION A-A



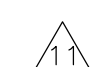





DETAIL A 5

DETAIL B  
SCALE 10:1  
ALTERNATE CONFIGURATION

- 1 MATERIAL:  
HOUSING- NYLON UL94V-2 (WHITE).  
CONTACTS- 0.30 [.012] THK COPPER ALLOY  
PLATING : BRIGHT TIN-LEAD FOR 0.00203[.000080] MIN THK FOR 647001-2 THRU 1-647001-9.  
MATTE TIN 0.00203[.000080] MIN THK. FOR 3-647001-2 THRU 4-647001-9.
- 2 CONTACTS ACCEPT 24 AWG (0.2 mm<sup>2</sup>) TIN PLATED SOLID, CONCENTRIC FUSED STRANDED, OR CONCENTRIC STRANDED (7 AND 19 STRAND) WIRE WITH 1.52 [.060] MAX INSULATION DIAMETER.
- 3 MATES WITH STANDARD MTA-100 CONNECTORS: OF THE SAME CIRCUIT SIZES WITH SIMILARLY PLATED CONTACTS WITH POLARIZING TABS-CIRCUIT SIZES 4-19 WITHOUT POLARIZING TABS-CIRCUIT SIZES 2 & 3.  
  
DOES NOT MATE WITH MTA-100 CONNECTORS: WITH POLARIZING TABS-CIRCUIT SIZES 2 & 3 ONLY. (SEE DETAIL A)  
WITH BLOCKED CIRCUITS -ALL CIRCUIT SIZES. NOT RECOMMENDED FOR MATING WITH MTA-100 CONNECTOR WITHOUT POLARIZING TABS. CIRCUIT SIZES 4-19.
- 4 ACCESSORIES:  
REPLACEMENT IDC CONTACTS: 647031-1.  
COVERS: SEE TABLE
- 5 QUANTITY OF CENTRALLY POSITIONED RAILS VARIES WITH CIRCUIT SIZE. (SEE TABLE)  
LOCATION MAY DIFFER FROM EXAMPLE SHOWN.
- 6 DIMENSIONS IN BRACKETS ARE IN INCHES.
- 7 SIMILAR SIZED LOCK AND SINGLE TAB USED OR CIRCUITS 4 & 5.
- 8 QUANTITY OF GUSSET RIBS VARIES WITH CIRCUIT SIZE (SEE TABLE).  
LOCATION MAY DIFFER FROM EXAMPLE SHOWN.
- 9 INNER END RAIL PAIR NOT PRESENT FOR CIRCUIT SIZES 2 OR 3.
- 10 CIRCUIT ID MAY APPEAR FULLY NUMBERED OR SHOWING LOCATION 1 ONLY DEPENDING ON CIRCUIT SIZE.
- 11 OBSOLETE PARTS: OBSOLETE CIS STREAMLINING PER D.RENAUD/D.SINISI
- 12 OBSOLETE PARTS



THIS DRAWING IS A CONTROLLED DOCUMENT.		DIN S. CARPENTER 07AUG2003	TE Connectivity
DIMENSIONS: mm [INCHES]		CHK: D. BOSSI 07AUG2003	
TOLERANCES UNLESS OTHERWISE SPECIFIED:		APVD: D. BOSSI 07AUG2003	NAME: MTA-100 POSTED CONNECTOR ASSEMBLY, CLOSED END, 24 AWG
0 PLC ± -	1 PLC ± -	2 PLC ± 0.20 [.007]	PRODUCT SPEC
3 PLC ± -	4 PLC ± -	ANGLES ± -	APPLICATION SPEC
MATERIAL <span style="border: 1px solid black; padding: 2px;">1</span>	FINISH <span style="border: 1px solid black; padding: 2px;">1</span>	WEIGHT	SIZE: A1
CUSTOMER DRAWING		SCALE: 5:1	SHEET 1 OF 2
		DRAWING NO: 647001	REV: E4

1-640642-9	1-643077-9	4	2	45.72	1.800	48.94	1.927	50.80	2.000	19	4-647001-9
1-640642-8	1-643077-8	4	2	43.18	1.700	46.40	1.827	48.26	1.900	18	4-647001-8
1-640642-7	1-643077-7	4	2	40.64	1.600	43.86	1.727	45.72	1.800	17	4-647001-7
1-640642-6	1-643077-6	4	2	38.10	1.500	41.32	1.627	43.18	1.700	16	4-647001-6
1-640642-5	1-643077-5	4	2	35.56	1.400	38.78	1.527	40.64	1.600	15	4-647001-5
1-640642-4	1-643077-4	4	2	33.02	1.300	36.24	1.427	38.10	1.500	14	4-647001-4
1-640642-3	1-643077-3	4	2	30.48	1.200	33.70	1.327	35.56	1.400	13	4-647001-3
1-640642-2	1-643077-2	2	1	27.94	1.100	31.16	1.227	33.02	1.300	12	4-647001-2
1-640642-1	1-643077-1	2	1	25.40	1.000	28.62	1.127	30.48	1.200	11	4-647001-1
1-640642-0	1-643077-0	2	1	22.86	.900	26.08	1.027	27.94	1.100	10	4-647001-0
640642-9	643077-9	2	1	20.32	.800	23.54	.927	25.40	1.000	9	3-647001-9
640642-8	643077-8	2	0	17.78	.700	21.00	.827	22.86	.900	8	3-647001-8
640642-7	643077-7	0	0	15.24	.600	18.46	.727	20.32	.800	7	3-647001-7
640642-6	643077-6	0	0	12.70	.500	15.92	.627	17.78	.700	6	3-647001-6
640642-5	643077-5	0	0	10.16	.400	13.38	.527	15.24	.600	5	3-647001-5
640642-4	643077-4	0	0	7.62	.300	10.84	.427	12.70	.500	4	3-647001-4
640642-3	643077-3	0	0	5.08	.200	8.30	.327	10.16	.400	3	3-647001-3
-	643077-2	0	0	2.54	.100	5.76	.227	7.62	.300	2	3-647001-2
1-640642-9	1-643077-9	4	2	45.72	1.800	48.94	1.927	50.80	2.000	19	4-647001-9
1-640642-8	1-643077-8	4	2	43.18	1.700	46.40	1.827	48.26	1.900	18	4-647001-8
1-640642-7	1-643077-7	4	2	40.64	1.600	43.86	1.727	45.72	1.800	17	4-647001-7
1-640642-6	1-643077-6	4	2	38.10	1.500	41.32	1.627	43.18	1.700	16	4-647001-6
1-640642-5	1-643077-5	4	2	35.56	1.400	38.78	1.527	40.64	1.600	15	4-647001-5
1-640642-4	1-643077-4	4	2	33.02	1.300	36.24	1.427	38.10	1.500	14	4-647001-4
1-640642-3	1-643077-3	4	2	30.48	1.200	33.70	1.327	35.56	1.400	13	4-647001-3
1-640642-2	1-643077-2	2	1	27.94	1.100	31.16	1.227	33.02	1.300	12	4-647001-2
1-640642-1	1-643077-1	2	1	25.40	1.000	28.62	1.127	30.48	1.200	11	4-647001-1
1-640642-0	1-643077-0	2	1	22.86	.900	26.08	1.027	27.94	1.100	10	4-647001-0
640642-9	643077-9	2	1	20.32	.800	23.54	.927	25.40	1.000	9	3-647001-9
640642-8	643077-8	2	0	17.78	.700	21.00	.827	22.86	.900	8	3-647001-8
640642-7	643077-7	0	0	15.24	.600	18.46	.727	20.32	.800	7	3-647001-7
640642-6	643077-6	0	0	12.70	.500	15.92	.627	17.78	.700	6	3-647001-6
640642-5	643077-5	0	0	10.16	.400	13.38	.527	15.24	.600	5	3-647001-5
640642-4	643077-4	0	0	7.62	.300	10.84	.427	12.70	.500	4	3-647001-4
640642-3	643077-3	0	0	5.08	.200	8.30	.327	10.16	.400	3	3-647001-3
-	643077-2	0	0	2.54	.100	5.76	.227	7.62	.300	2	3-647001-2
DUST COVER	STRAIN RELIEF COVERS	QTY OF GUSSET RIBS	QTY OF CENTRAL RAILS	MM	IN	MM	IN	MM	IN	NO. OF CIRCUITS	PART NO
4	ACCESSORIES	8	5	C		B		A			

 SUPERCEDED  
 SUPERCEDED  
 SUPERCEDED  
 SUPERCEDED  
 SUPERCEDED  
 SUPERCEDED

THIS DRAWING IS A CONTROLLED DOCUMENT.

DIMENSIONS: mm [INCHES]  
 TOLERANCES UNLESS OTHERWISE SPECIFIED:  
 0 PLC ± -  
 1 PLC ± -  
 2 PLC ± -  
 3 PLC ± -  
 4 PLC ± -  
 ANGLES ± -

MATERIAL  FINISH 

DWG: S. CARPENTER 07AUG2003  
 CHK: D. BOSSI 07AUG2003  
 APVO: D. BOSSI 07AUG2003  
 NAME: MTA-100 POSTED CONNECTOR ASSEMBLY, CLOSED END, 24 AWG  
 APPLICATION SPEC: -  
 WEIGHT: A1 00779 C=647001  
 SCALE: 1:1 SHEET 2 OF 2 REV E4

CUSTOMER DRAWING  
 RESTRICTED TO

# Mouser Electronics

Authorized Distributor

Click to View Pricing, Inventory, Delivery & Lifecycle Information:

[TE Connectivity:](#)

[4-647001-0](#)