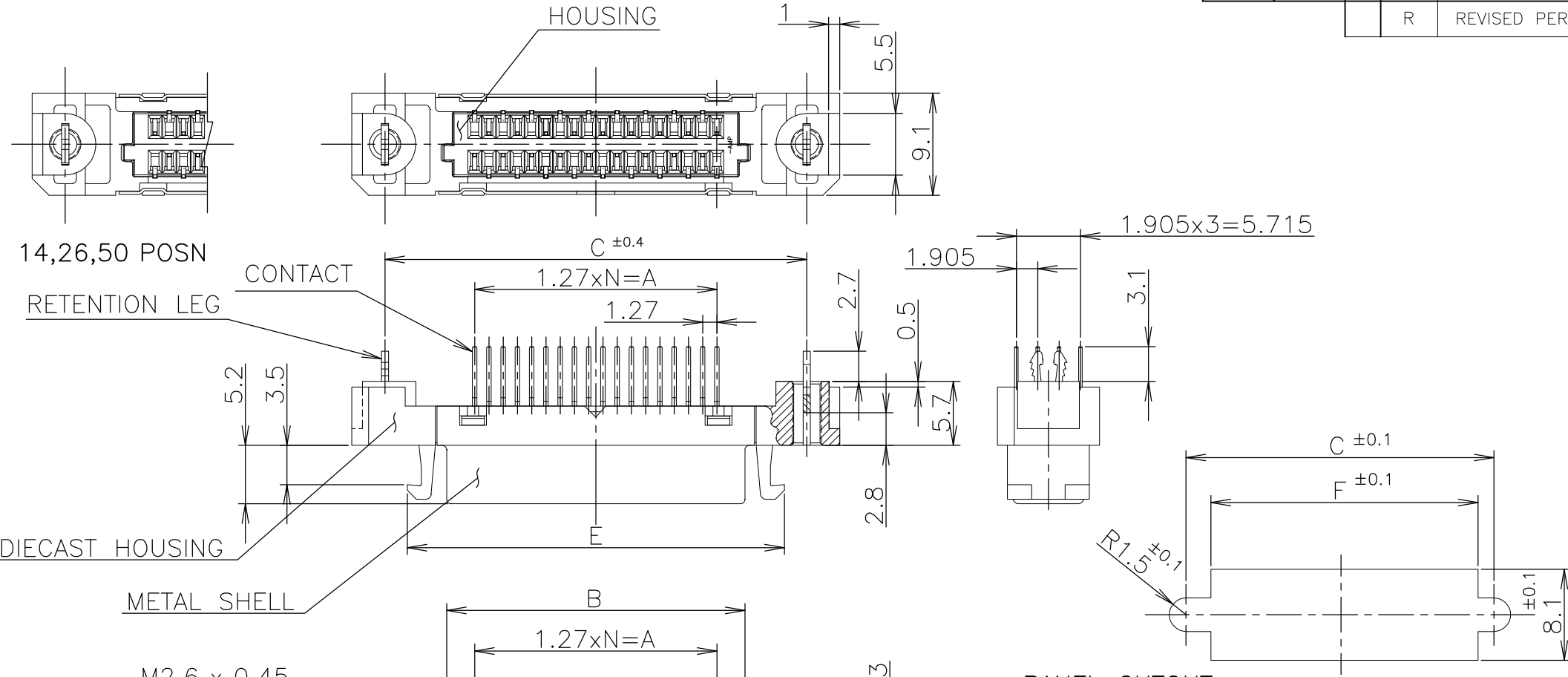


THIS DRAWING IS UNPUBLISHED. RELEASED FOR PUBLICATION SEP, 2004.
 © COPYRIGHT 2004 By - ALL RIGHTS RESERVED.

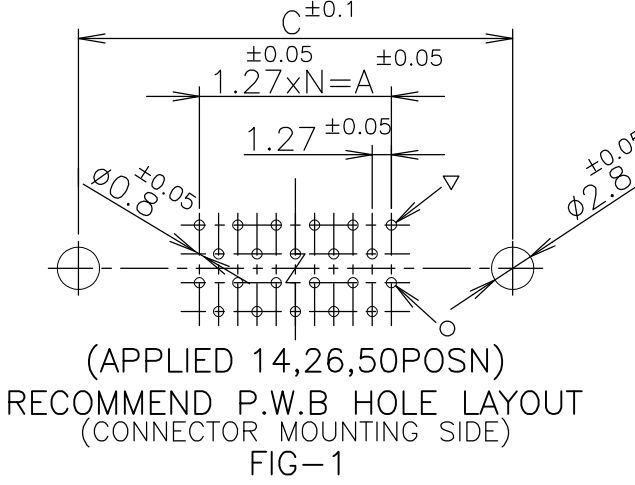
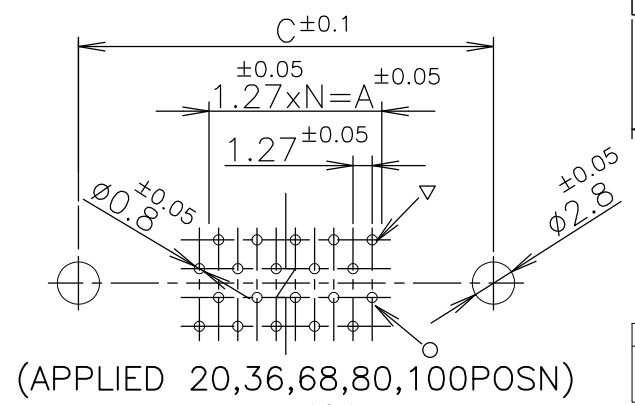
LOC	DIST	REVISIONS					
		P	LTR	DESCRIPTION	DATE	DWN	APVD
J		R		REVISED PER ECO-12-012349	28MAR13	BL	AC



- 1 USED SCREW SIZE; M2.6 PANHEAD SCREW.
- 2 CONNECTOR TO BE MATED; 175677,175751
- △ MATERIAL AND FINISH;
 - * CONTACT; PHOS-BRONZE
FIN.; AU PLATING OVER Ni UNDER PLATING ON CONTACT AREA.
TIN PLATING OVER Ni UNDER PLATING ON SOLDER TINE AREA.
 - * METAL SHELL; STEEL
FIN.; Ni PLATING OVER COPPER UNDER PLATING.
 - * DIECAST HOUSING; ZINC
FIN.; Ni PLATING OVER COPPER UNDER PLATING.
 - * HOUSING; THERMOPLASTIC, UL94V-0, BLACK
 - * RETENTION LEG; BRASS,
TIN PLATING WITH OVER NICKEL PLATING OVER ALL
- 4 RECOMMEND P.W.B THICKNESS; 1.6mm
- △ OBSOLETE

PANEL CUTOUT (THK; 2mm MAX.) FIG-2

0.00076	39	61.90	61.55	71.45	65.55	54.53	49.53	80	3-5917334-0
	49	74.60	74.25	84.15	78.25	67.23	62.23	100	2-5917334-9
	33	54.20	53.93	63.83	57.93	46.91	41.91	68	2-5917334-8
	24	42.80	42.50	52.40	46.50	35.48	30.48	50	2-5917334-7
	17	33.90	33.61	43.51	37.61	26.59	21.59	36	2-5917334-5
	12	27.60	27.26	37.16	31.26	20.24	15.24	26	2-5917334-4
	9	23.80	23.45	33.35	27.45	16.43	11.43	20	2-5917334-2
0.0003	6	19.90	19.64	29.54	23.64	12.62	7.62	14	2-5917334-1
	39	61.90	61.55	71.45	65.55	54.53	49.53	80	1-5917334-0
	49	74.60	74.25	84.15	78.25	67.23	62.23	100	5917334-9
	33	54.20	53.93	63.83	57.93	46.91	41.91	68	5917334-8
	24	42.80	42.50	52.40	46.50	35.48	30.48	50	5917334-7
	17	33.90	33.61	43.51	37.61	26.59	21.59	36	5917334-5
	12	27.60	27.26	37.16	31.26	20.24	15.24	26	5917334-4
GOLD PLATING	9	23.80	23.45	33.35	27.45	16.43	11.43	20	5917334-2
	6	19.90	19.64	29.54	23.64	12.62	7.62	14	5917334-1
	N	F	E	D	C	B	A	POSN	PART NO.



LEAD FREE

THIS DRAWING IS A CONTROLLED DOCUMENT.

DIMENSIONS: mm	TOLERANCES UNLESS OTHERWISE SPECIFIED:
	0 PLC ± 0.2
	1 PLC ± 0.2
	2 PLC ± 0.2
	3 PLC ± 0.2
	4 PLC ± 0.2
	ANGLES ± 3°
MATERIAL SEE NOTE 3	FINISH SEE NOTE 3

DWN	COREL WANG	01SEP04
CHK	STEVEN YAO	01SEP04
APVD	I.ENOMOTO	01SEP04
PRODUCT SPEC	108-5288	
APPLICATION SPEC		
WEIGHT		
CUSTOMER DRAWING		

STE TE Connectivity

REC HEADER ASSY, VERTICAL
W/RETENTION LEG
CHAMP .050 SERIES (II) STD-TYPE (M2.6)

SIZE	CAGE CODE	DRAWING NO	RESTRICTED TO
A3	00779	C-5917334	

SCALE 2:1 SHEET 1 OF 1 REV R

Mouser Electronics

Authorized Distributor

Click to View Pricing, Inventory, Delivery & Lifecycle Information:

[TE Connectivity:](#)

[5917334-4](#)