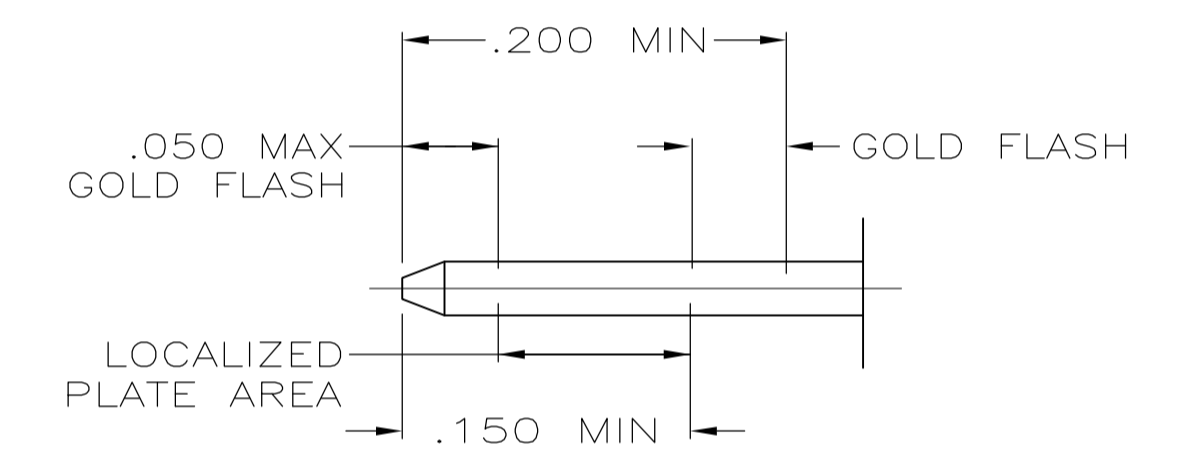
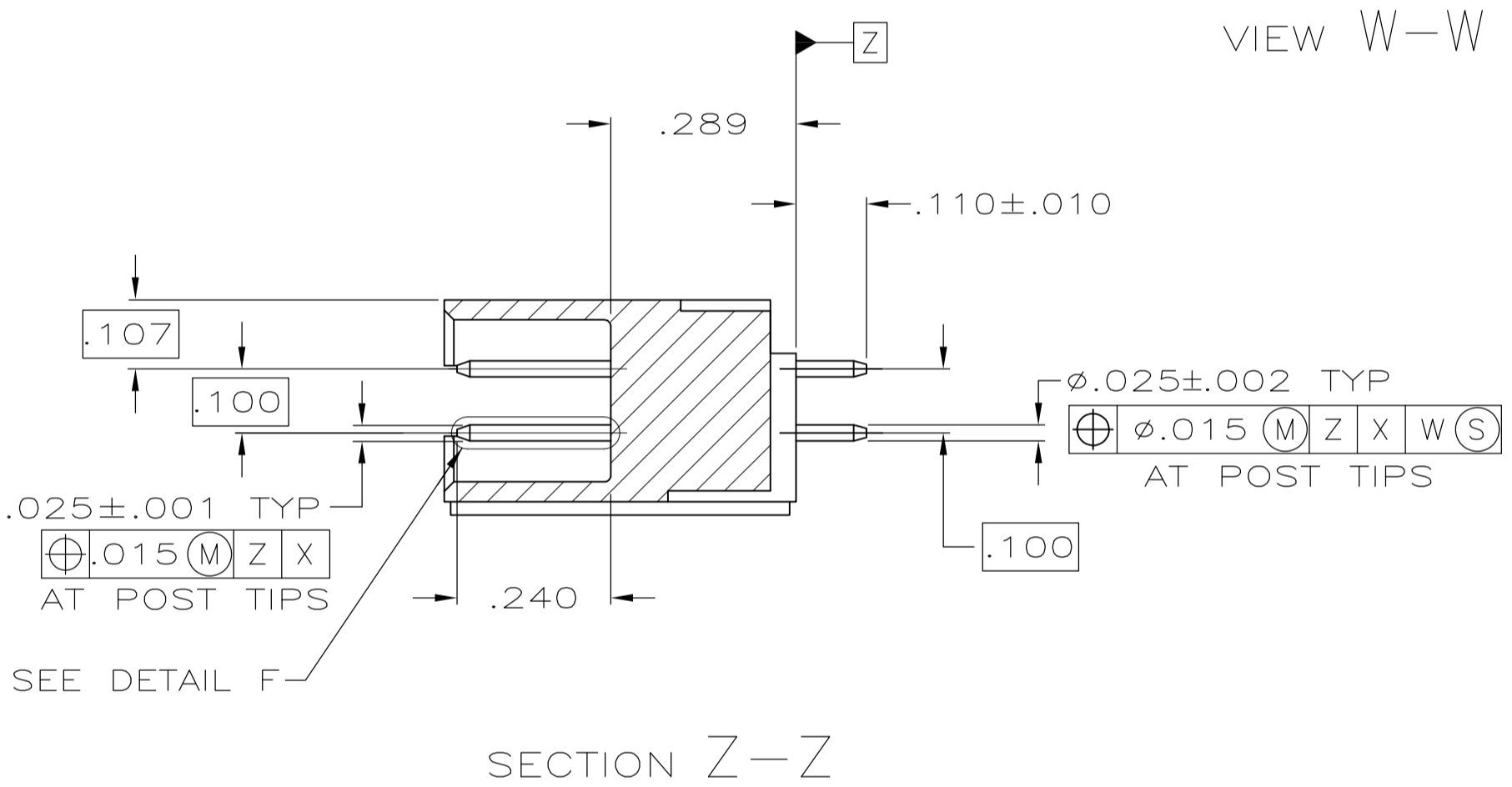
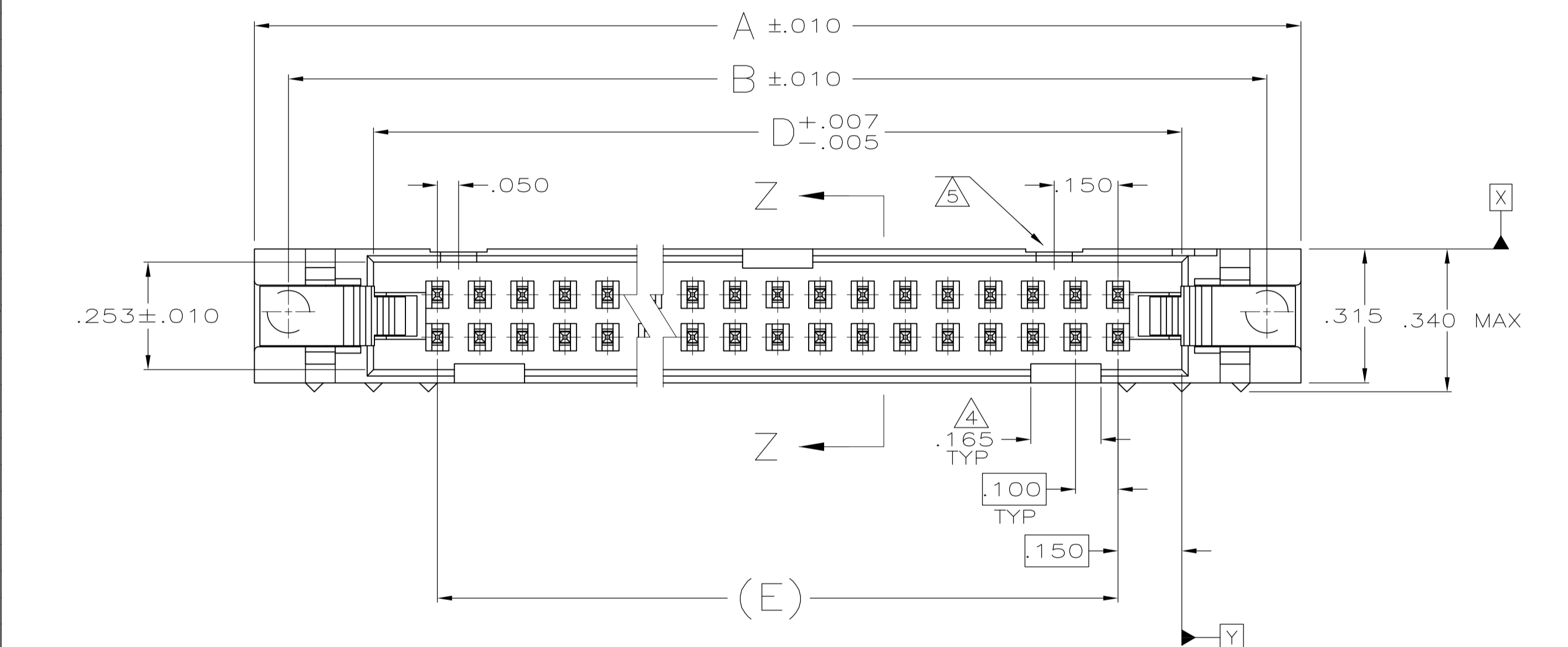
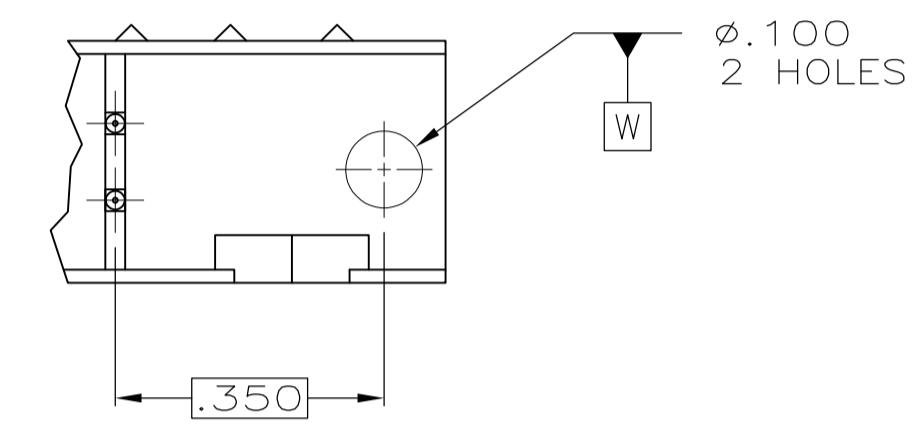
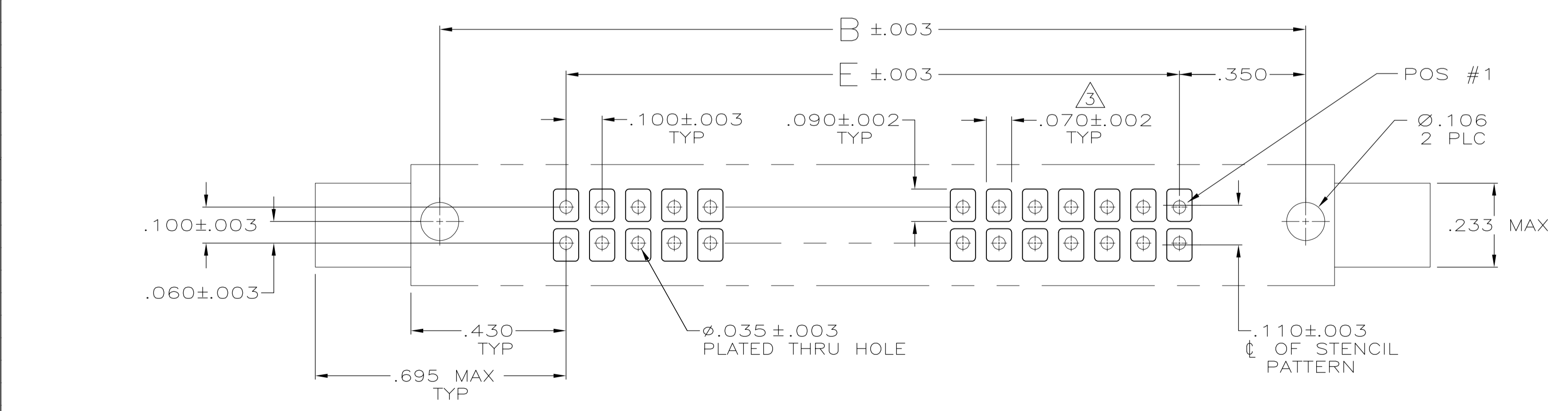


- ⚠ MOLDED PARTS: FLAME RETARDANT UL94V-0 RATED, GLASS FILLED PCT, COLOR RED. POSTS: BRASS OR PHOSPHOR BRONZE.
- ⚠ POSTS: GOLD FLASH OVER PALLADIUM-NICKEL PLATE, .000030 MIN TOTAL ON THE LOCALIZED PLATE AREA, .000100 MIN TIN PLATE ON THE SOLDER-TAIL, .000050 MIN NICKEL UNDERPLATE ON THE ENTIRE POST. -OR- .000030 MIN GOLD PLATE ON THE LOCALIZED PLATE AREA, .000100 MIN TIN PLATE ON THE SOLDER-TAIL, .000050 MIN NICKEL UNDERPLATE ON THE ENTIRE POST.
- ⚠ RECOMMENDED STENCIL THICKNESS EQUALS .010.
- ⚠ FOR 10 POS HEADER ONLY, ONE SLOT LOCATED AS SHOWN.
- ⚠ NO SNAP-IN POLARIZING FEATURE ON THIS END FOR 10 & 14 POS. HEADERS.



DETAIL F SCALE 10:1



RECOMMENDED P C BOARD MOUNTING DIMENSIONS

1.600	1.900	2.060	2.300	2.460	34	5111374-8
1.200	1.500	1.660	1.900	2.060	26	5111374-6
2.400	2.700	2.860	3.100	3.260	50	1-5111374-0
1.900	2.200	2.360	2.600	2.760	40	5111374-9
.900	1.200	1.360	1.600	1.760	20	5111374-4
.700	1.000	1.160	1.400	1.560	16	5111374-3
.600	.900	1.060	1.300	1.460	14	5111374-2
.400	.700	.860	1.100	1.260	10	5111374-1

THIS DRAWING IS A CONTROLLED DOCUMENT. DIMENSIONING AND TOLERANCING PER ASME Y14.5M-2009.		DWG: G. ATTADIA - 01-11-05 CHK: S. BOLASH - 01-11-05	APPROVED: M. WALMSLEY - 01-11-05 NAME: M. WALMSLEY		TE Connectivity	
DIMENSIONS: INCHES		TOLERANCES UNLESS OTHERWISE SPECIFIED:		PRODUCT SPEC: 108-40018		HEATER ASSEMBLY, UNIVERSAL, HIGH TEMP, W/LATCHES, AMP-LATCH
<ul style="list-style-type: none"> <li>0' PLC ± -</li> <li>1' PLC ± -</li> <li>2' PLC ± -</li> <li>3' PLC ± .005</li> <li>4' PLC ± -</li> <li>ANGLES ± -</li> </ul>		<ul style="list-style-type: none"> <li>0' ± -</li> <li>1' ± -</li> <li>2' ± -</li> <li>3' ± .005</li> <li>4' ± -</li> <li>ANGLES ± -</li> </ul>		APPLICATION SPEC		
MATERIAL: 1		FINISH: 2		SIZE: A1		NO OF POSN: 10
CUSTOMER DRAWING		WEIGHT: -		DRAWING NO: 00779		SCALE: 4:1
				PART NO: 5111374		SHEET 1 OF 1

# Mouser Electronics

Authorized Distributor

Click to View Pricing, Inventory, Delivery & Lifecycle Information:

[TE Connectivity:](#)

[5111374-4](#)