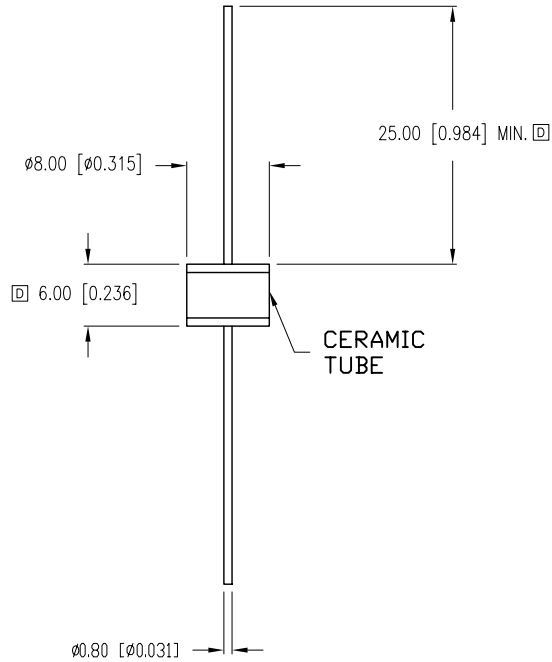


PART NUMBER	GT-CM90L	REV.	E
DATE	E.C.N. NUMBER AND REVISION COMMENTS		REV.
08.13.93	UPDATED WHERE SPECIFIED		A
03.27.00	E.C.N. #10BRDR & REDRAWN		B
12.12.06	E.C.N. #11148.		C
11.15.07	E.C.N. #11454.		D
12.27.11	E.C.N. #10BRDR.		E



ELECTRICAL SPECIFICATIONS		
PARAMETER	VALUE	TEST CONDITION
D.C. FIRING VOLTAGE:	90V±20%D.C.	(dv/dt 100V/S)
IMPULSE FIRING VOLTAGE:	500V D.C.MAX.	(dv/dt 100V/μS)
IMPULSE CURRENT:	10KA	(8/20μS)
D.C. HOLDOVER VOLTAGE:	50V D.C.MAX.	(150ms MAX.)
A.C. DISCHARGE CURRENT:	65A	(1S X 10 TIMES)
IMPULSE CURRENT SURGE LIFE:	400 TIMES MIN.	(50 Hz x 9TIMES)
INSULATION RESISTANCE:	10 ⁴ MΩ MIN.	(50 OR 100VDC)
INTER-ELECTRODE CAPACITANCE:	1.5 PF MAX.	1.0KHZ

ENVIRONMENTAL SPECIFICATIONS PER MIL-STD 202			
TEST	METHODE	CONDITION	RATING
VIBRATION TESTING:	204B	C	10-55HZ, 06DA
SHOCK:	213A	C	100G
HUMIDITY:	103B	B	95%RE.HUMIDITY
TEMPERATURE CYCLING:	102A	C	- 65 TO + 125 °C
BAROMETRIC PRESSURE:	105C	B	50,000FT.
THERMAL SHOCK:	107	B	- 65 TO + 125 °C
SOLDERABILITY:	208	B	

RESPONSE TIME	
SURGE TYPE	(Rt MAX.)
1Kv/mS	1 x 10 ⁻⁵ sec.
1Kv/μS	1 x 10 ⁻⁸ sec.
5Kv/μS	1 x 10 ⁻⁹ sec.

*UNLESS OTHERWISE SPECIFIED TOLERANCES PER DECIMAL PRECISION ARE: X=±1 (±0.039), XX=±0.5 (±0.020), XXX=±0.25 (±0.010), XXXX=±0.127 (±0.005). LEAD SIZE=±0.05 (±0.002), LEAD LENGTH=±0.75 (±0.030). MIN.= +DECIMAL PRECISION MAX.= +0.00 -DECIMAL PRECISION

LUMEX
 Creating LED and LCD Solutions Together™

290 E. HELEN ROAD
 PALATINE, IL 60067-6976
 PHONE: +1.847.359.2790
 FAX: +1.847.359.6538
 WEB: WWW.LUMEX.COM

CERAMIC SURGE PROTECTOR.

THE SPECIFICATIONS MAY CHANGE AT ANY TIME WITHOUT NOTICE DUE TO NEW MATERIALS OR PRODUCT IMPROVEMENT.

CONFIDENTIAL INFORMATION
 THE INFORMATION CONTAINED IN THIS DOCUMENT IS THE PROPERTY OF LUMEX INC. EXCEPT AS SPECIFICALLY AUTHORIZED IN WRITING BY LUMEX INC., THE HOLDER OF THIS DOCUMENT SHALL KEEP ALL INFORMATION CONTAINED HEREIN CONFIDENTIAL AND SHALL PROTECT SAME IN WHOLE OR IN PART FROM DISCLOSURE AND DISSEMINATION TO ALL THIRD PARTIES.

DATE:	12.27.11	DRAWN BY:	AB
PAGE:	1 OF 1	CHKD BY:	JD
SCALE:	NTS	APRVD BY:	SS
UNIT:	mm [INCH]		Ⓟ

Mouser Electronics

Authorized Distributor

Click to View Pricing, Inventory, Delivery & Lifecycle Information:

[Lumex:](#)

[GT-CM90L](#)