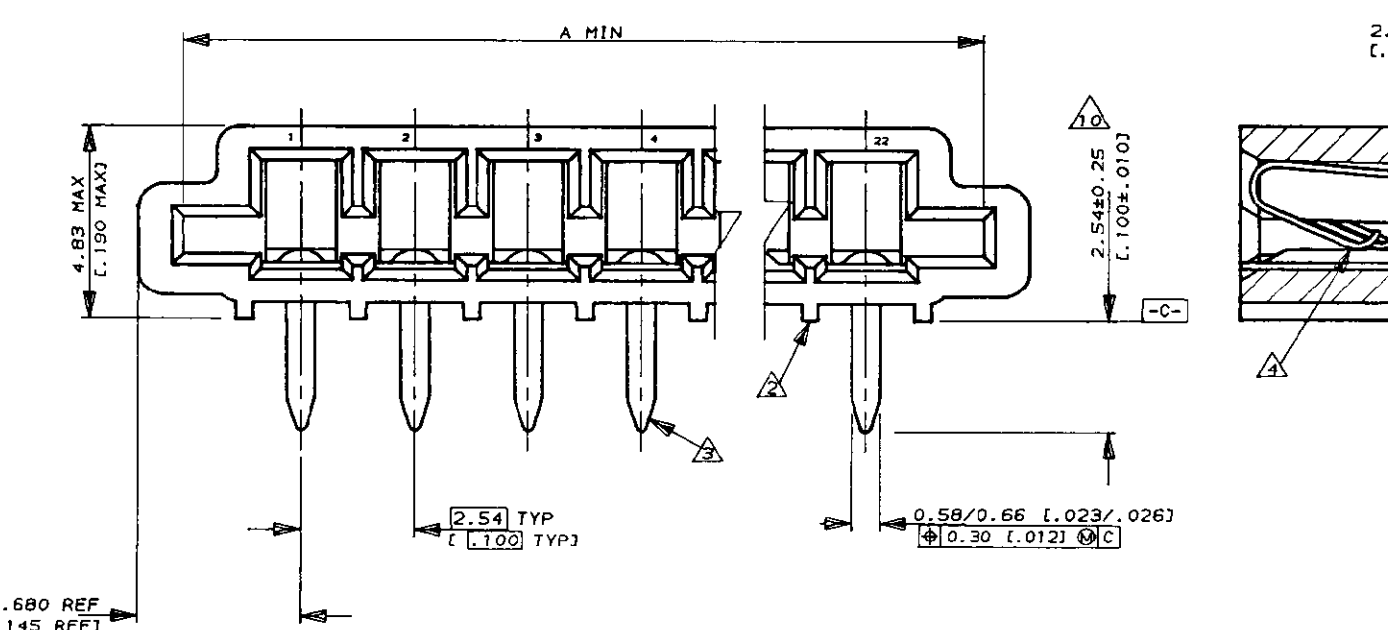
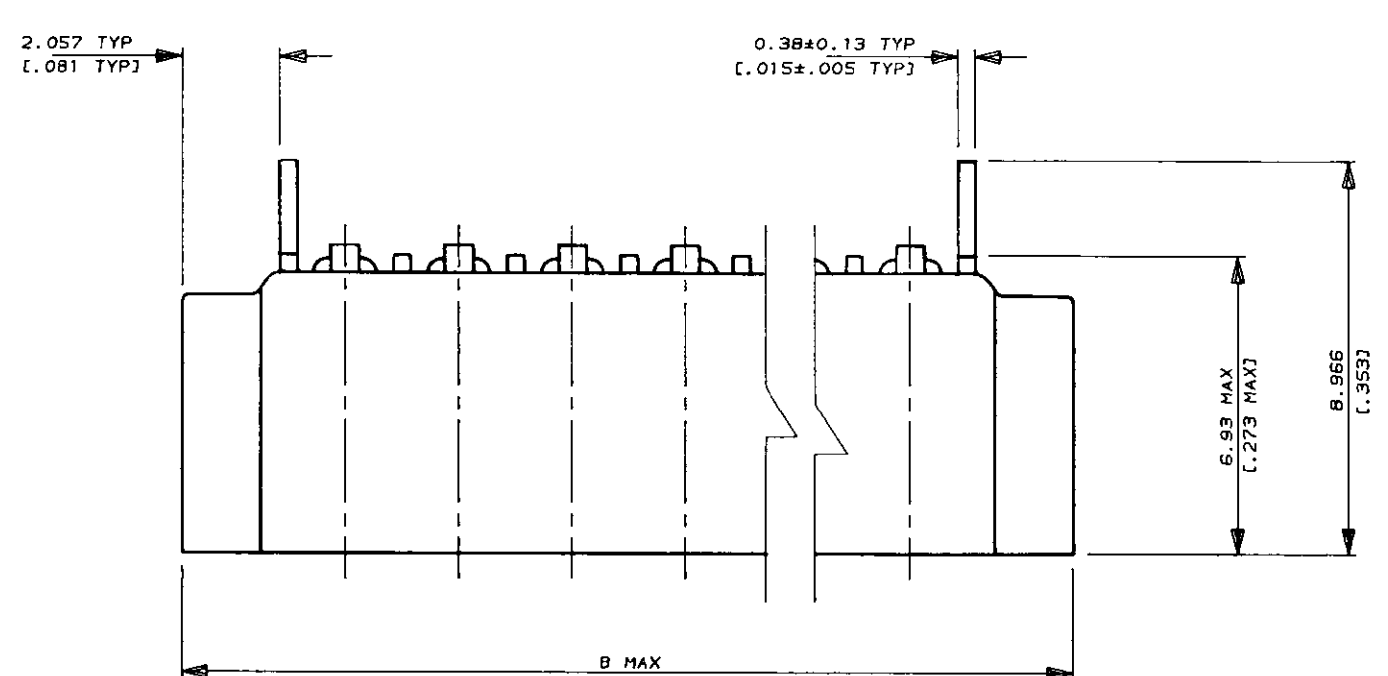


NUMBER 520314
 METRIC
 DIMENSIONS IN MM (INCHES). DO NOT SCALE PRINT
 PRINT DIST



- NOTES**
- 1 CONNECTOR WILL ACCEPT FLEXIBLE PRINTED CIRCUIT OR FLAT FLEXIBLE CABLE ON 2.54 (.100) CENTERS IN A THICKNESS RANGE OF 0.127 TO 0.381 (.005 TO .015) IN CONTACT AREA
 - 2 STAND-OFFS PREVENT SOLVENT ENTRAPMENT
 - 3 LEAD-IN ON PINS FOR EASE OF INSERTION INTO BOARD
 - 4 SEQUENTIAL CONTACTS REDUCE CABLE INSERTION FORCE
 - 5 STABILIZING WING MAY BE REMOVED BY CUSTOMER IF NECESSARY
 - 6 ALTERNATING CONTACT FORM RETAINS CONNECTOR IN P.C. BOARD DURING SOLDER OPERATION
 - 7 ACCEPTS CABLE OR CIRCUITRY WITH EXPOSED CONDUCTORS FACING TOWARD OR AWAY FROM THE BOARD SURFACE
 - 8 REFER TO APPLICATION SPEC 114-2062
 - 9 MATERIAL
HOUSING : GLASS REINFORCED POLYESTER
THERMOPLASTIC UL 94 VO RATED, BLACK
CONTACT : PHOS BRONZE WITH MATTE TIN FINISH.
 - 10 AREA INDICATED SHALL MEET SOLDERABILITY SPEC 109-11-1
 - 11 OBSOLETE PARTS: OBSOLETE CIS STREAMLINING PER D.RENAUD/D.SINISI

		LEAD FREE			SUPERSEDED	
OBSOLETE	←	←	←	←	←	←
6-520314-2	60.78 [2.393]	58.62 [2.308]	22	2-520314-2		
6-520314-1	58.24 [2.293]	56.08 [2.208]	21	2-520314-1		
6-520314-0	55.70 [2.193]	53.54 [2.108]	20	2-520314-0		
6-520314-9	53.16 [2.093]	51.00 [2.008]	19	1-520314-9		
6-520314-8	50.62 [1.993]	48.46 [1.908]	18	1-520314-8		
6-520314-7	48.08 [1.893]	45.92 [1.808]	17	1-520314-7		
6-520314-6	45.54 [1.793]	43.38 [1.708]	16	1-520314-6		
6-520314-5	43.00 [1.693]	40.84 [1.608]	15	1-520314-5		
6-520314-4	40.46 [1.593]	38.30 [1.508]	14	1-520314-4		
6-520314-3	37.92 [1.493]	35.76 [1.408]	13	1-520314-3		
6-520314-2	35.38 [1.393]	33.22 [1.308]	12	1-520314-2		
6-520314-1	32.84 [1.293]	30.68 [1.208]	11	1-520314-1		
6-520314-0	30.30 [1.193]	28.14 [1.108]	10	1-520314-0		
5-520314-9	27.76 [1.093]	25.60 [1.008]	9	520314-9		
5-520314-8	25.22 [.993]	23.06 [.908]	8	520314-8		
5-520314-7	22.68 [.893]	20.52 [.808]	7	520314-7		
5-520314-6	20.14 [.793]	17.98 [.708]	6	520314-6		
5-520314-5	17.60 [.693]	15.44 [.608]	5	520314-5		
5-520314-4	15.06 [.593]	12.90 [.508]	4	520314-4		
5-520314-3	12.52 [.493]	10.36 [.408]	3	520314-3		
5-520314-2	9.98 [.393]	7.82 [.308]	2	520314-2		

		PART NO		PACKING		B		A		POS		PART NO		
S3	ECR-10-022530	KK	HMR	07FEB11	Copyright ©1993 TE MFG (S) PTE LTD. ALL RIGHTS RESERVED.								TE Connectivity	
S2	ECO-10-000445	KK	AEG	11JAN10	(WIRE RANGE)	(INSULATION DIA.)	(NAME)						TRIOMATE HORIZONTAL CABLE ENTRY	
S1	REVISED AS PER ECR-06-04332	PM	KS	21FEB06	mm ² (AWG -)	mmØ	FOR 1.57 [.062] THK P.C. BOARD							
S	REVISED FRO00-0011-04	SD	PCH	19FEB04	(MATERIAL)	(FINISH) CONTACTS	(GENERAL TOLERANCE)						SIZE LOC (No.)	
R	REVISED DY/EC/0920	LWY	SL	13.12.93	5	MATTE TIN/LEAD PLATED	±.38						A3 DY 520314	
Q	REDRAWN DY/EC/0784	LWY	SL	30.7.93	DR. WYLEE 30.7.93	DE. A.SOH	[±.015]						(SCALE) REV. SHEET	
LTR	(REVISION RECORD)	DR	CHK	DATE	CHK. SALLY 30.7.93	APP. PETER de JONG	6:1 S3						1 OF 1	

(CUSTOMER DRAWING)

Mouser Electronics

Authorized Distributor

Click to View Pricing, Inventory, Delivery & Lifecycle Information:

[TE Connectivity:](#)

[6-520314-7](#)