

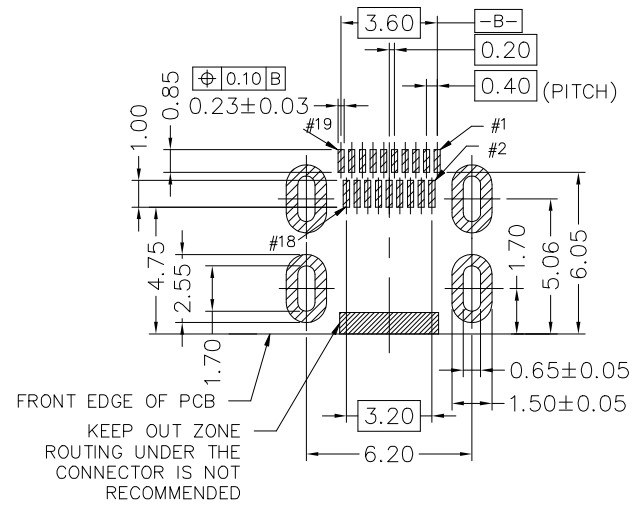
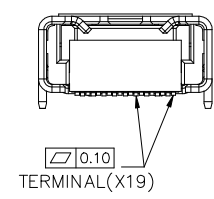
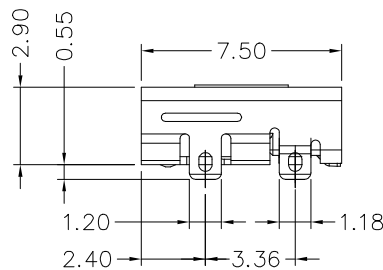
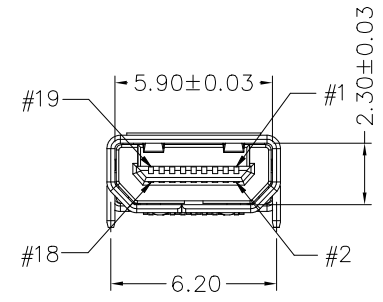
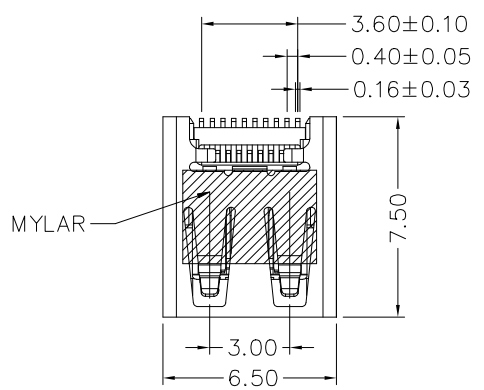
PART NUMBER
10118242-0X1RLF

PART NO. DESCRIPTION:
10118242-XXXXLF

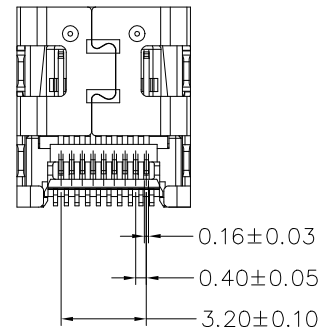
- LEAD FREE
- PACKING TYPE
R: TAPE & REEL
- CONTACT AREA PLATING
1: Au 15u"
2: Au 30u"
- COLOR OPTION
0: BLACK
1: NATURAL
- MYLAR OPTION
0: WITH MYLAR
1: WITHOUT MYLAR

NOTES:

1. MATERIAL:
HOUSING: LCP+30%GF ,UL94 V-0,BLACK OR NATURAL
TERMINAL: COPPER ALLOY.
SHELL: STAINLESS STEEL
2. FINISH:
CONTACT AREA: GOLD PLATED
SOLDER AREA: GOLD FLASH PLATED
SHELL: TIN PLATED
NICKEL PLATED UNDER OVER ALL
3. PRODUCT SPECIFICATION: GS-12-0983.
4. PACKAGING SPECIFICATION: GS-14-2164.
5. THE PRODUCT MEETS EUROPEAN UNION DIRECTIVES AND OTHER COUNTRY REGULATIONS AS DESCRIBED IN GS-22-008,
6. THE CONNECTOR CAN WITHSTAND EXPOSURE TO 260 DEGREE PEAK TEMPERATURE FOR 10 SECONDS IN IR REFLOW OVEN.



RECOMMENDED PCB LAYOUT (.XX±0.05)
CONNECTOR SIDE (TOP VIEW)



Amphenol FCI
© 2016 AFCI

mat'l. code HPL528		surface ISO 1302 ✓		tolerance ASME Y14.5		projection MM		product family HDMI	
ltr	ecn	no	dr	date	tolerances unless otherwise specified		title		
A		LS		09/13/11	angles	.X±0.25	HDMI TYPE D RECEPTACLE		
B	ELX-N-012816	ZK		09/07/12	linear	.XX±0.20	MM		
C	ELX-N-16428	HENRY		12/04/13	±1'	.XXX±	scale 1:1		
D	ELX-N-24781	TONY		08/23/16	dr	LEIF_SHEN	09/13/11	dwg no	
E	ELX-N-25475	TONY		11/25/16	eng	LEIF_SHEN	09/13/11	sheet 1 of 1	
F	ELX-N-25898	TONY		01/12/17	chr	GARY_HSIEH	09/13/11	size 5	
G	ELX-N-28731	TONY		12/08/17	app	GARY_HSIEH	09/13/11	A3	
sheet		revision		G				Amphenol FCI	
index		sheet		1				type CUSTOMER Drawing	

Mouser Electronics

Authorized Distributor

Click to View Pricing, Inventory, Delivery & Lifecycle Information:

[FCI / Amphenol:](#)

[10118242-001RLF](#) [10118242-002RLF](#)