

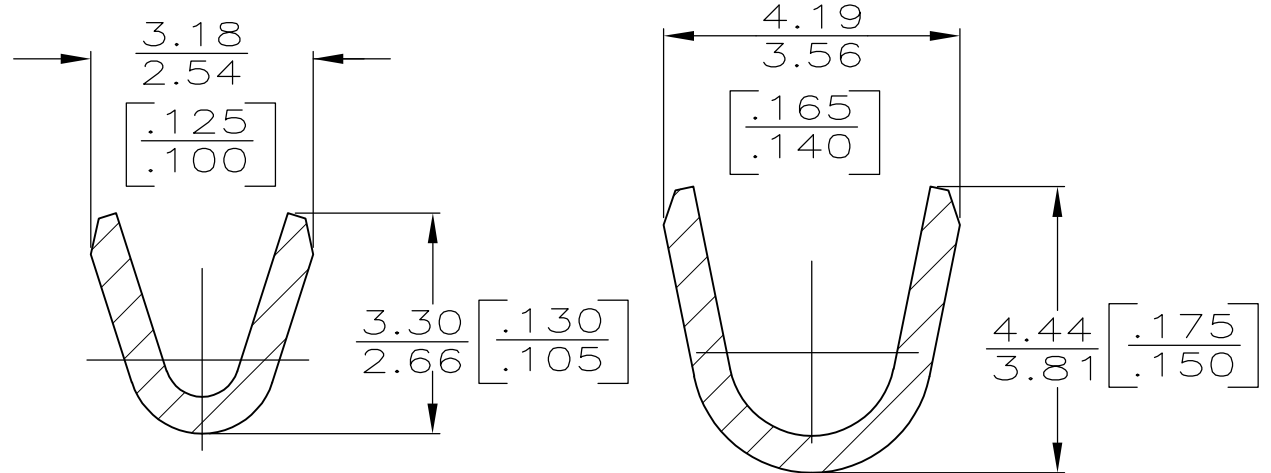
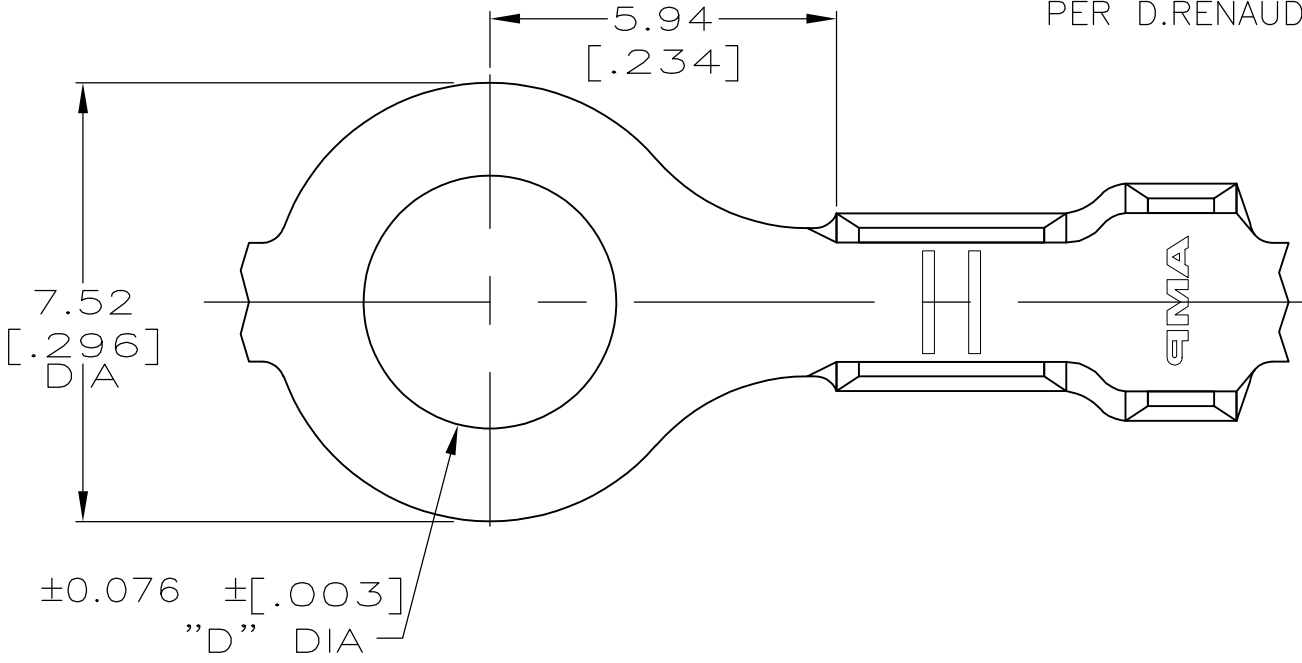
THIS DRAWING IS UNPUBLISHED. RELEASED FOR PUBLICATION
 © COPYRIGHT - By - ALL RIGHTS RESERVED.

| LOC | DIST | REVISIONS | | | |
|-----|------|-------------|---------------------------|---------|--------|
| P | LTR | DESCRIPTION | DATE | DWN | APVD |
| AF | 50 | L2 | REVISED PER ECO-11-004587 | 11MAR11 | RK HMR |

6 REDUCED PACKAGE QUANTITY.

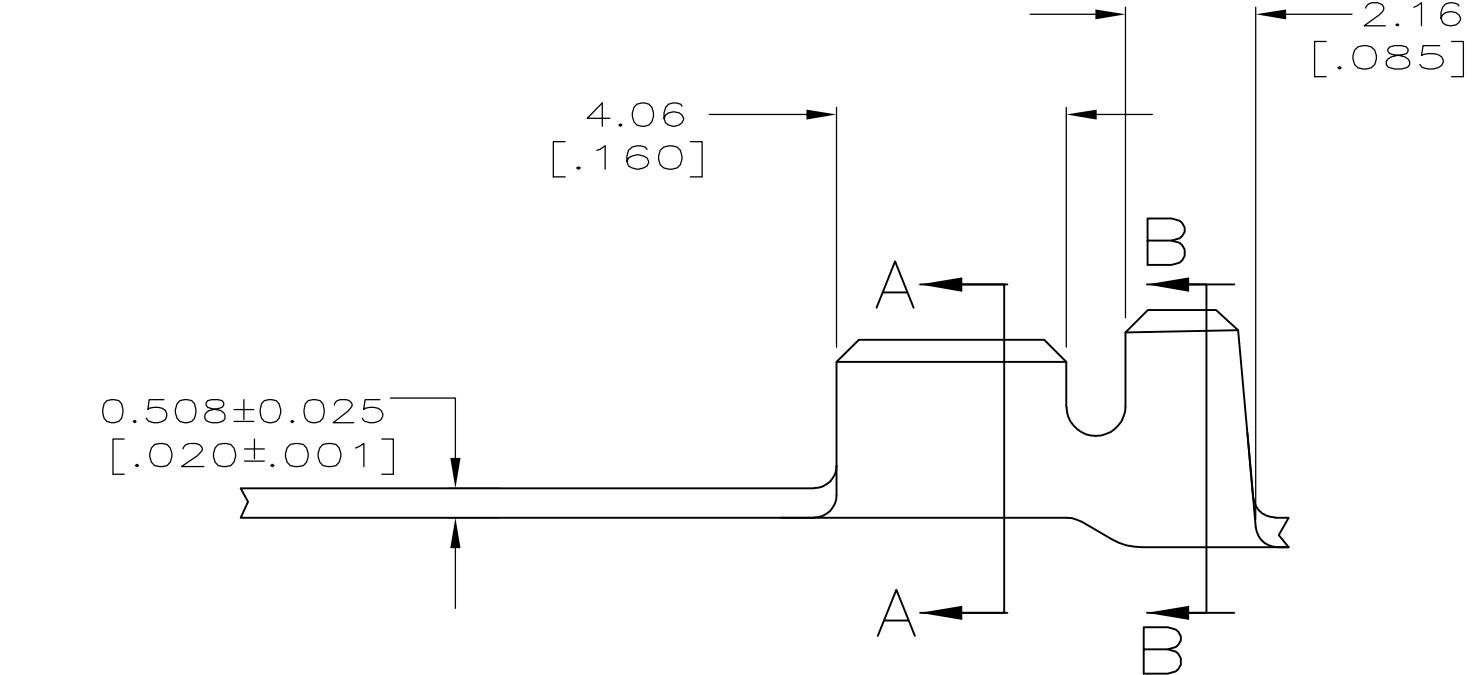
7 OBSOLETE PARTS: OBSOLETE CIS STREAMLINING PER D.RENAUD/D.SINISI

- 1 CONTINUOUS STRIP ON REEL.
- 2 WIRE SIZE IS [#22-#18] AWG.
- 3 INSULATION RANGE IS 2.03-2.79 [.080-.110] DIA.
- 4 FOR FOREIGN PRODUCTION ONLY REELED WITH PAPER INTERLEAVE
- 5 PRELIMINARY - NOT FOR PRODUCTION



SECTION A-A
SCALE 10:1

SECTION B-B
SCALE 10:1



| FINISH | STUD SIZE | D | DIM | PART NO | |
|-------------|--------------|------------|--------|---------|---------|
| TIN PLATING | M 3.5 - [#6] | 3.68 | [.145] | 42037-9 | |
| TIN PLATING | [#10] | 5.00 | [.197] | 42037-8 | |
| OBSOLETE | TIN PLATING | M 4 - [#8] | 4.34 | [.171] | 42037-7 |
| OBSOLETE | TIN PLATING | [#10] | 5.00 | [.197] | 42037-6 |
| TIN PLATING | [#10] | 5.00 | [.197] | 42037-2 | |
| TIN PLATING | M 4 - [#8] | 4.34 | [.171] | 42037-1 | |
| TIN PLATING | M 3.5 - [#6] | 3.68 | [.145] | 42037 | |

| | | | | | | | | | | | |
|---|--|------------------|----------|---------|-------------------------|-----------|------------|---------------|--------|-----|----|
| THIS DRAWING IS A CONTROLLED DOCUMENT. | | DWN | JR RUTH | 01AUG00 | TE Connectivity RING | | | RESTRICTED TO | | | |
| DIMENSIONS: mm [INCHES] | | CHK | MS FEHER | 01AUG00 | | | | NAME | | - | |
| TOLERANCES UNLESS OTHERWISE SPECIFIED: | | APVD | D DECKER | 01AUG00 | | | | PRODUCT SPEC | | - | |
| 0 PLC ± - 1 PLC ± - 2 PLC ± 0.25 [.010] 3 PLC ± - 4 PLC ± - ANGLES ± - | | APPLICATION SPEC | | - | | | | - | | | |
| MATERIAL | | WEIGHT | | SIZE | | CAGE CODE | DRAWING NO | - | | | |
| 082 BRASS | | SEE TABLE | | - | | A300779 | C-42037 | - | | | |
| CUSTOMER DRAWING | | | | | | SCALE | 8:1 | SHEET | 1 OF 1 | REV | L2 |

Mouser Electronics

Authorized Distributor

Click to View Pricing, Inventory, Delivery & Lifecycle Information:

[TE Connectivity:](#)

[42037-2](#) [42037-2 \(Cut Strip\)](#) [42037-2 \(Mouser Reel\)](#)