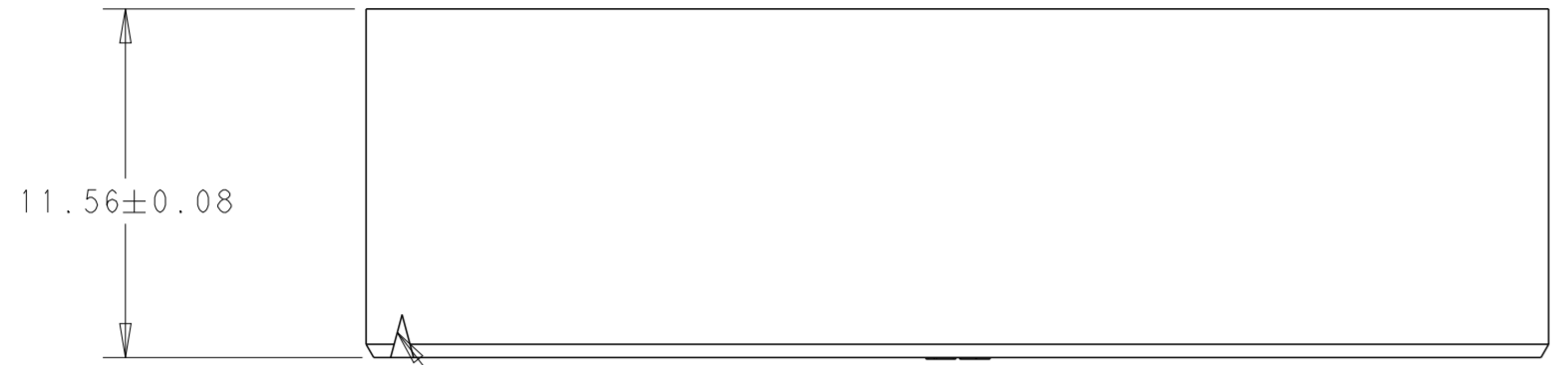
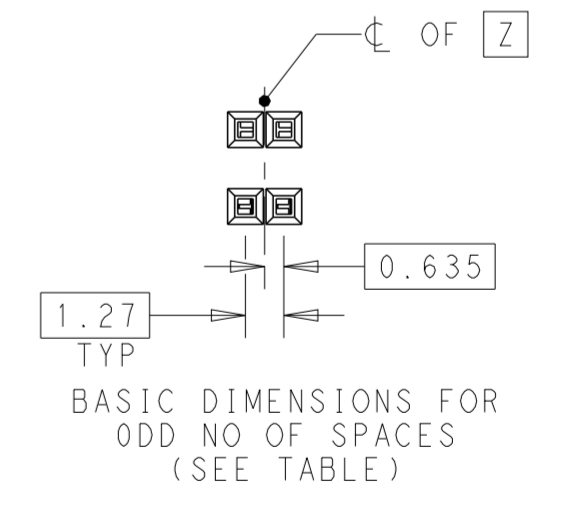
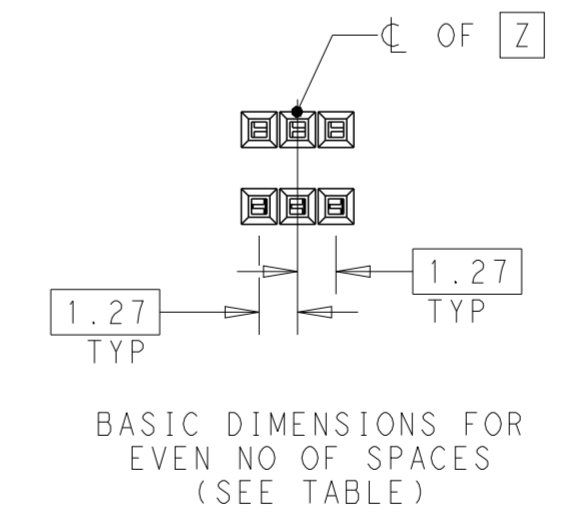
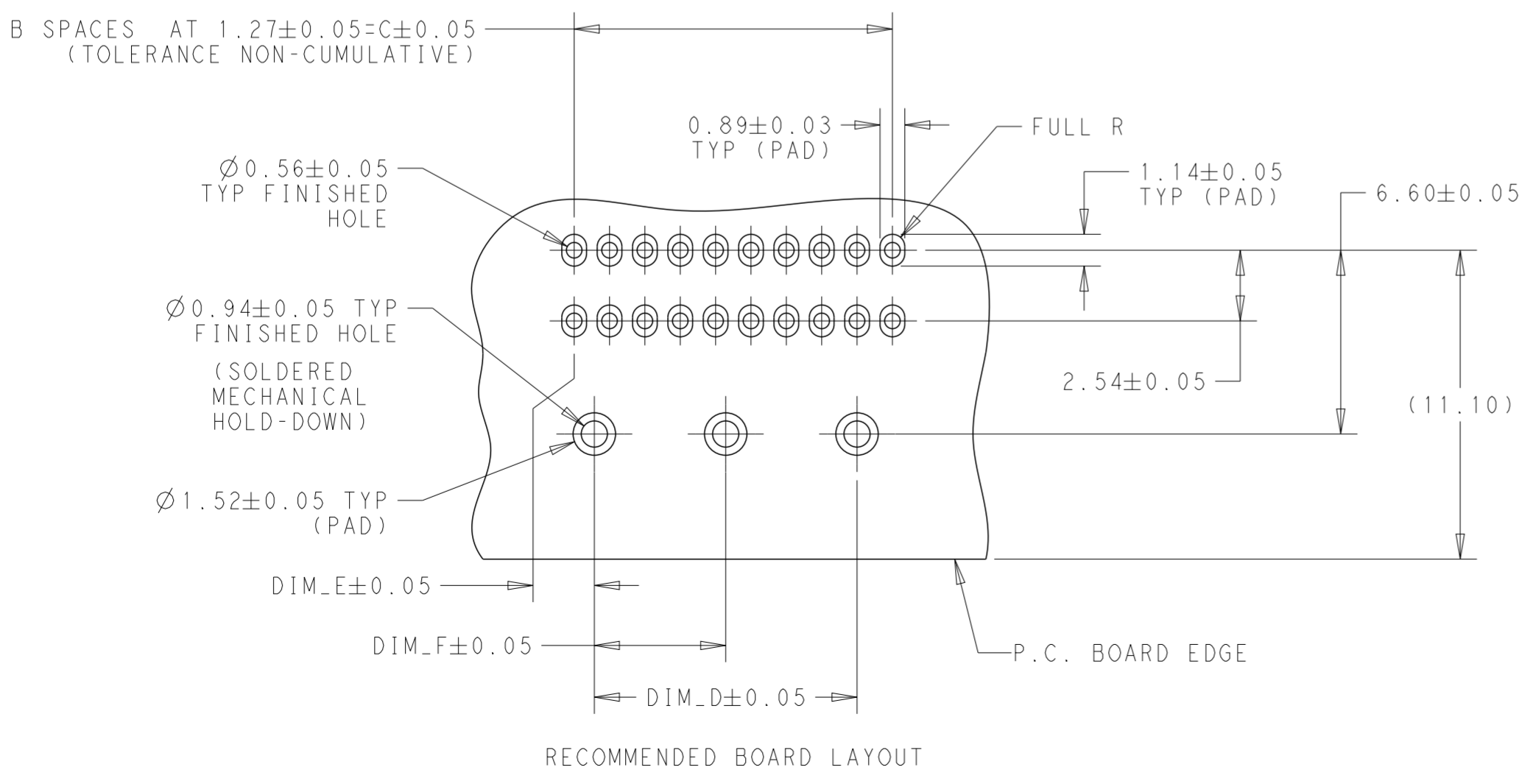
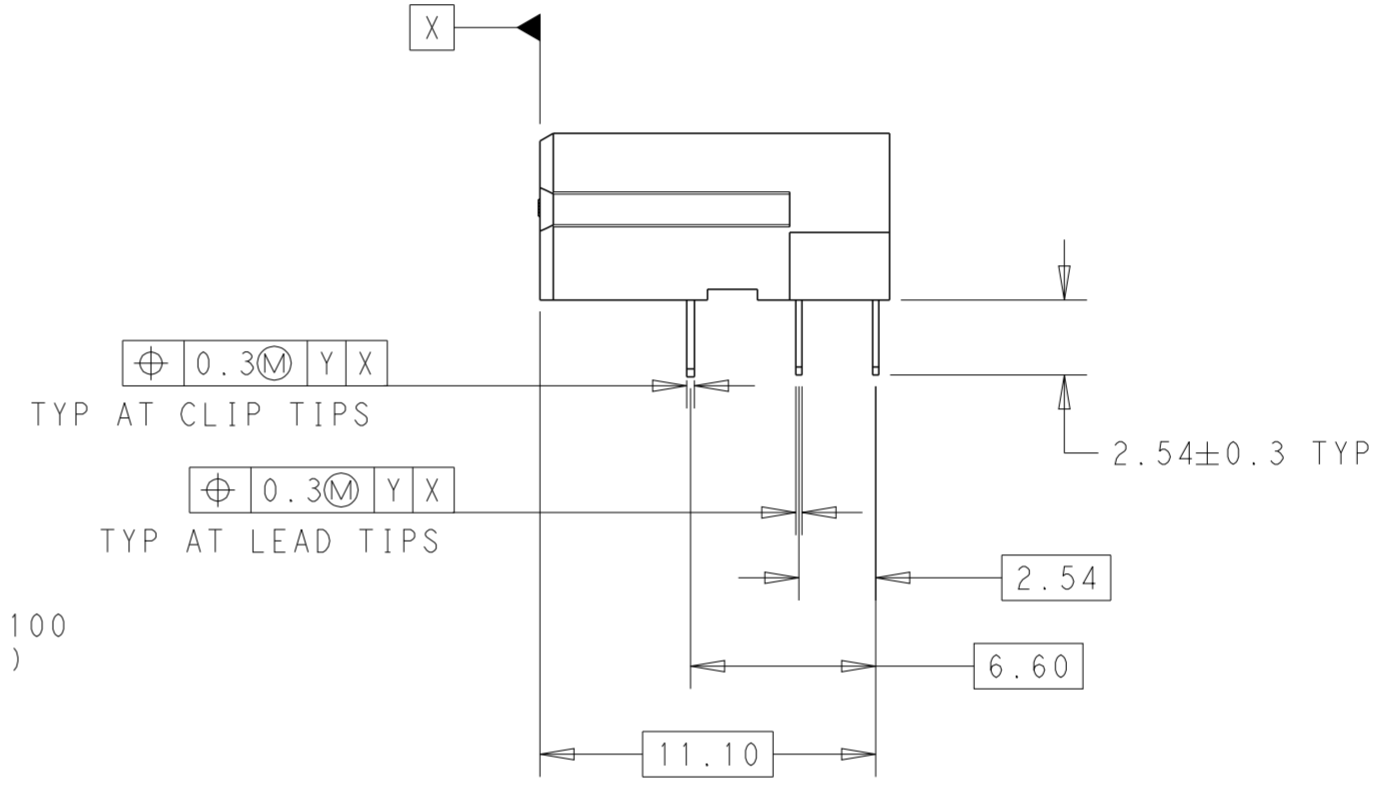
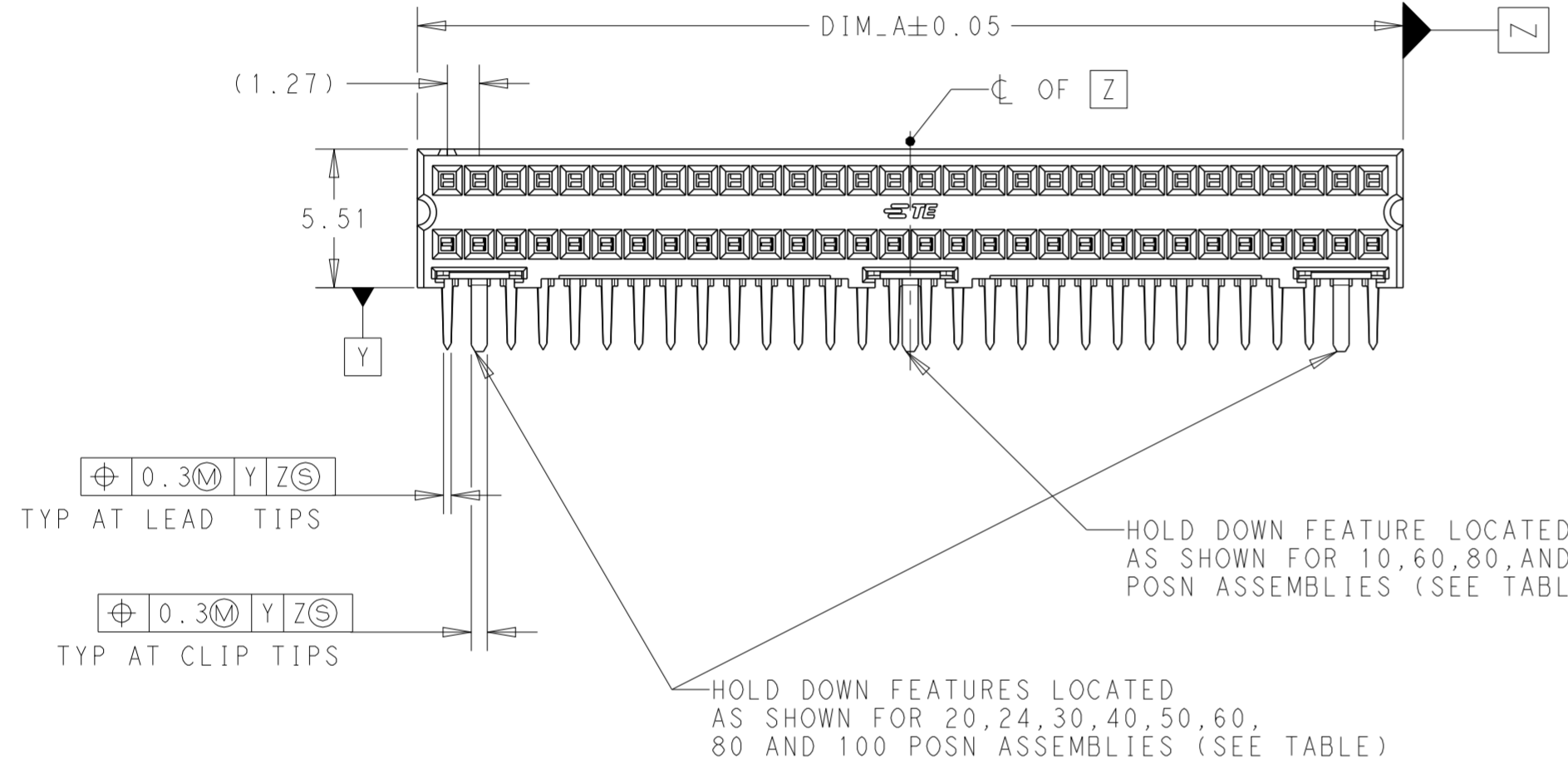
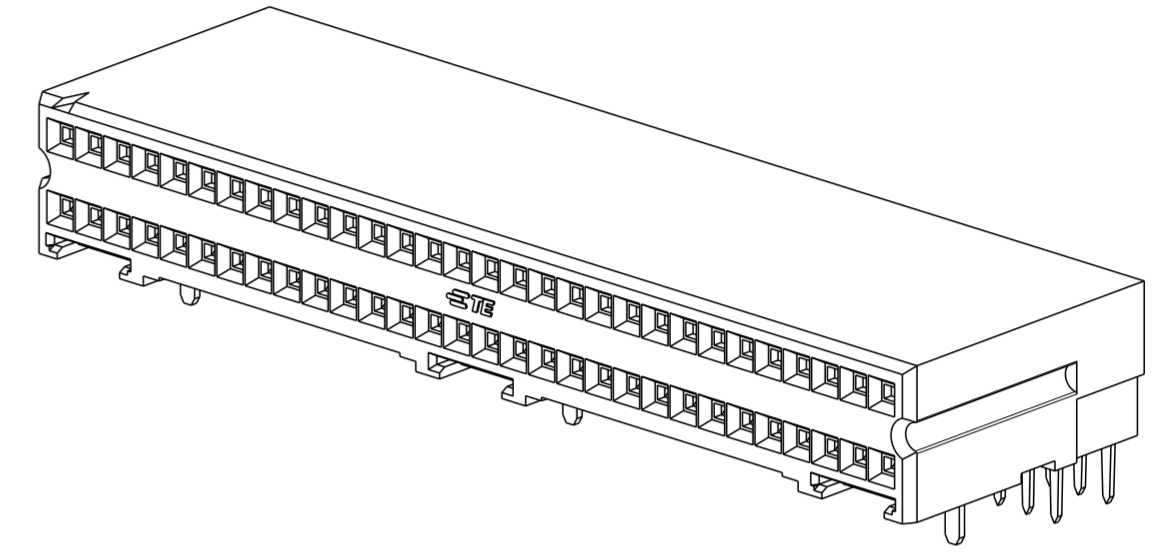


THIS DRAWING IS UNPUBLISHED. RELEASED FOR PUBLICATION 20
 © COPYRIGHT 20 BY - ALL RIGHTS RESERVED.

| REVISIONS | | | | | |
|-----------|-----|-----------------------------------|-----------|-----|------|
| P | LTR | DESCRIPTION | DATE | DWN | APVD |
| | N | REDRAWN/REVISED PER ECO-17-001757 | 11NOV2017 | GR | JO |
| | | | | | |
| | | | | | |



CIRCUIT IDENTIFICATION FEATURE



| | | | | | |
|--|--|----------------------------|--|--|--|
| THIS DRAWING IS A CONTROLLED DOCUMENT. | | DWN G. RAMESH 11NOV2017 | TE Connectivity | | |
| DIMENSIONS: mm | | CHK J. OLSON 11NOV2017 | | | |
| TOLERANCES UNLESS OTHERWISE SPECIFIED: | | APVD J. OLSON 11NOV2017 | NAME RECEPTACLE ASSEMBLY, RIGHT ANGLE, AMPMODU SYSTEM 50 | | |
| 0 PLC ± | | PRODUCT SPEC 108-1093 | SIZE CAGE CODE DRAWING NO RESTRICTED TO | | |
| 1 PLC ±0.3 | | APPLICATION SPEC 114-25031 | A200779 C-103911 | | |
| 2 PLC ±0.13 | | WEIGHT - | SCALE 4:1 SHEET 1 OF 2 REV N | | |
| 3 PLC ± | | CUSTOMER DRAWING | | | |
| 4 PLC ± | | | | | |
| ANGLES ± | | | | | |
| FINISH - | | | | | |
| SEE TABLE | | | | | |


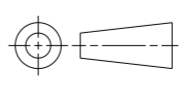
THIS DRAWING IS UNPUBLISHED. RELEASED FOR PUBLICATION 20
 © COPYRIGHT 20 BY - ALL RIGHTS RESERVED.

| REVISIONS | | | | |
|-----------|-----|-------------|------|------|
| P | LTR | DESCRIPTION | DATE | APVD |
| - | - | SEE SHEET 1 | - | - |
| | | | | |
| | | | | |
| | | | | |

- 1 CONTACT AREA PLATED WITH 0.76µm GOLD;
SOLDER CLIPS AND LEADS PLATED WITH 3.81µm TIN-LEAD,
ALL OVER 1.27µm NICKEL
- 2 NOTE DELETED.
- 3 HOUSING: LCP, COLOR-BLACK.
CONTACT: COPPER ALLOY.
SOLDER CLIP: PHOSPHOR BRONZE
- 4 CONTACT AREA PLATED WITH 0.76µm GOLD;
SOLDER CLIPS AND LEADS PLATED WITH 3.81µm TIN ALL OVER 1.27µm
- 5 NOTE DELETED.
- 6 ROHS 2002/95/EC COMPLIANT
- 7 FINISH: 0.03µm MIN.GOLD ON GOLD PLATED AREA, 3.81µm
MATTE TIN LEAD ON PLATE AREA, UNDER PLATING SHOULD BE 1.27µm
NICKEL ON ENTIRE CONTACT.
- 8 NOTE DELETED.
- 9 NOTE DELETED.
- 10 NOTE DELETED.
- 11 FINISH: 0.03µm MIN.GOLD ON GOLD PLATED AREA, 3.81µm
MATTE TIN ON TIN PLATED AREA, UNDER PLATING SHOULD BE 1.27µm
NICKEL ON ENTIRE CONTACT

| | | | | | | | | |
|--------|-------|-------|-------|-------|----------|-------|------------|-------------|
| 11 6 | - | 1.27 | 11.43 | 13.97 | 11 | 16.36 | 24 | 7-103911-9 |
| | 29.85 | 1.27 | 59.69 | 62.23 | 49 | 64.62 | 100 | 7-103911-8 |
| | - | 1.27 | 15.24 | 17.78 | 14 | 20.17 | 30 | 7-103911-7 |
| | 23.5 | 1.27 | 46.99 | 49.53 | 39 | 51.92 | 80 | 7-103911-6 |
| | - | 1.27 | 21.59 | 24.13 | 19 | 26.52 | 40 | 7-103911-5 |
| | - | 1.27 | 27.94 | 30.48 | 24 | 32.87 | 50 | 7-103911-4 |
| | 17.15 | 1.27 | 34.29 | 36.83 | 29 | 39.22 | 60 | 7-103911-3 |
| | - | 1.27 | 8.89 | 11.43 | 9 | 13.82 | 20 | 7-103911-2 |
| - | 2.54 | - | 5.08 | 4 | 7.47 | 10 | 7-103911-1 | |
| 4 6 | - | 1.27 | 11.43 | 13.97 | 11 | 16.36 | 24 | 5-103911-9 |
| | 29.85 | 1.27 | 59.69 | 62.23 | 49 | 64.62 | 100 | 5-103911-8 |
| | - | 1.27 | 15.24 | 17.78 | 14 | 20.17 | 30 | 5-103911-7 |
| | 23.5 | 1.27 | 46.99 | 49.53 | 39 | 51.92 | 80 | 5-103911-6 |
| | - | 1.27 | 21.59 | 24.13 | 19 | 26.52 | 40 | 5-103911-5 |
| | - | 1.27 | 27.94 | 30.48 | 24 | 32.87 | 50 | 5-103911-4 |
| | 17.15 | 1.27 | 34.29 | 36.83 | 29 | 39.22 | 60 | 5-103911-3 |
| | - | 1.27 | 8.89 | 11.43 | 9 | 13.82 | 20 | 5-103911-2 |
| - | 2.54 | - | 5.08 | 4 | 7.47 | 10 | 5-103911-1 | |
| FINISH | DIM_F | DIM_E | DIM_D | DIM_C | B SPACES | DIM_A | NO OF POSN | PART NUMBER |

| | | | | | | | | |
|--------|-------|-------|-------|-------|----------|-------|------------|-------------|
| 7 | - | 1.27 | 11.43 | 13.97 | 11 | 16.36 | 24 | 2-103911-9 |
| | 29.85 | 1.27 | 59.69 | 62.23 | 49 | 64.62 | 100 | 2-103911-8 |
| | - | 1.27 | 15.24 | 17.78 | 14 | 20.17 | 30 | 2-103911-7 |
| | 23.5 | 1.27 | 46.99 | 49.53 | 39 | 51.92 | 80 | 2-103911-6 |
| | - | 1.27 | 21.59 | 24.13 | 19 | 26.52 | 40 | 2-103911-5 |
| | - | 1.27 | 27.94 | 30.48 | 24 | 32.87 | 50 | 2-103911-4 |
| | 17.15 | 1.27 | 34.29 | 36.83 | 29 | 39.22 | 60 | 2-103911-3 |
| | - | 1.27 | 8.89 | 11.43 | 9 | 13.82 | 20 | 2-103911-2 |
| - | 2.54 | - | 5.08 | 4 | 7.47 | 10 | 2-103911-1 | |
| 1 | - | 1.27 | 11.43 | 13.97 | 11 | 16.36 | 24 | 103911-9 |
| | 29.85 | 1.27 | 59.69 | 62.23 | 49 | 64.62 | 100 | 103911-8 |
| | - | 1.27 | 15.24 | 17.78 | 14 | 20.17 | 30 | 103911-7 |
| | 23.5 | 1.27 | 46.99 | 49.53 | 39 | 51.92 | 80 | 103911-6 |
| | - | 1.27 | 21.59 | 24.13 | 19 | 26.52 | 40 | 103911-5 |
| | - | 1.27 | 27.94 | 30.48 | 24 | 32.87 | 50 | 103911-4 |
| | 17.15 | 1.27 | 34.29 | 36.83 | 29 | 39.22 | 60 | 103911-3 |
| | - | 1.27 | 8.89 | 11.43 | 9 | 13.82 | 20 | 103911-2 |
| - | 2.54 | - | 5.08 | 4 | 7.47 | 10 | 103911-1 | |
| FINISH | DIM_F | DIM_E | DIM_D | DIM_C | B SPACES | DIM_A | NO OF POSN | PART NUMBER |

| | | | | |
|---|--|-------------------------------|---|------------------------|
| THIS DRAWING IS A CONTROLLED DOCUMENT. | | DWN G. RAMESH 11NOV2017 |  TE Connectivity | |
| DIMENSIONS: mm | | CHK J. OLSON 11NOV2017 | | |
| TOLERANCES UNLESS OTHERWISE SPECIFIED: | | APVD J. OLSON 11NOV2017 | NAME RECEPTACLE ASSEMBLY, RIGHT ANGLE, AMPMODU SYSTEM 50 | |
|  | | PRODUCT SPEC 108-1093 | SIZE - | |
| MATERIAL | | APPLICATION SPEC 114-25031 | CAGE CODE A200779 | DRAWING NO C-103911 |
| SEE TABLE | | WEIGHT - | RESTRICTED TO - | |
| | | CUSTOMER DRAWING | SCALE 4:1 | SHEET 2 OF 2 |
| | | | REV N | |

Mouser Electronics

Authorized Distributor

Click to View Pricing, Inventory, Delivery & Lifecycle Information:

[TE Connectivity:](#)

[5-103911-8](#) [5-103911-5](#) [5-103911-1](#) [5-103911-4](#) [5-103911-2](#) [5-103911-3](#) [5-103911-7](#)