

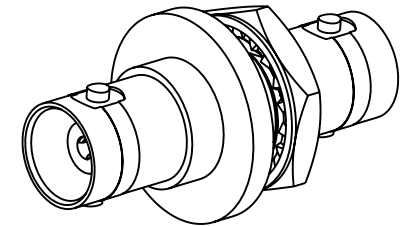
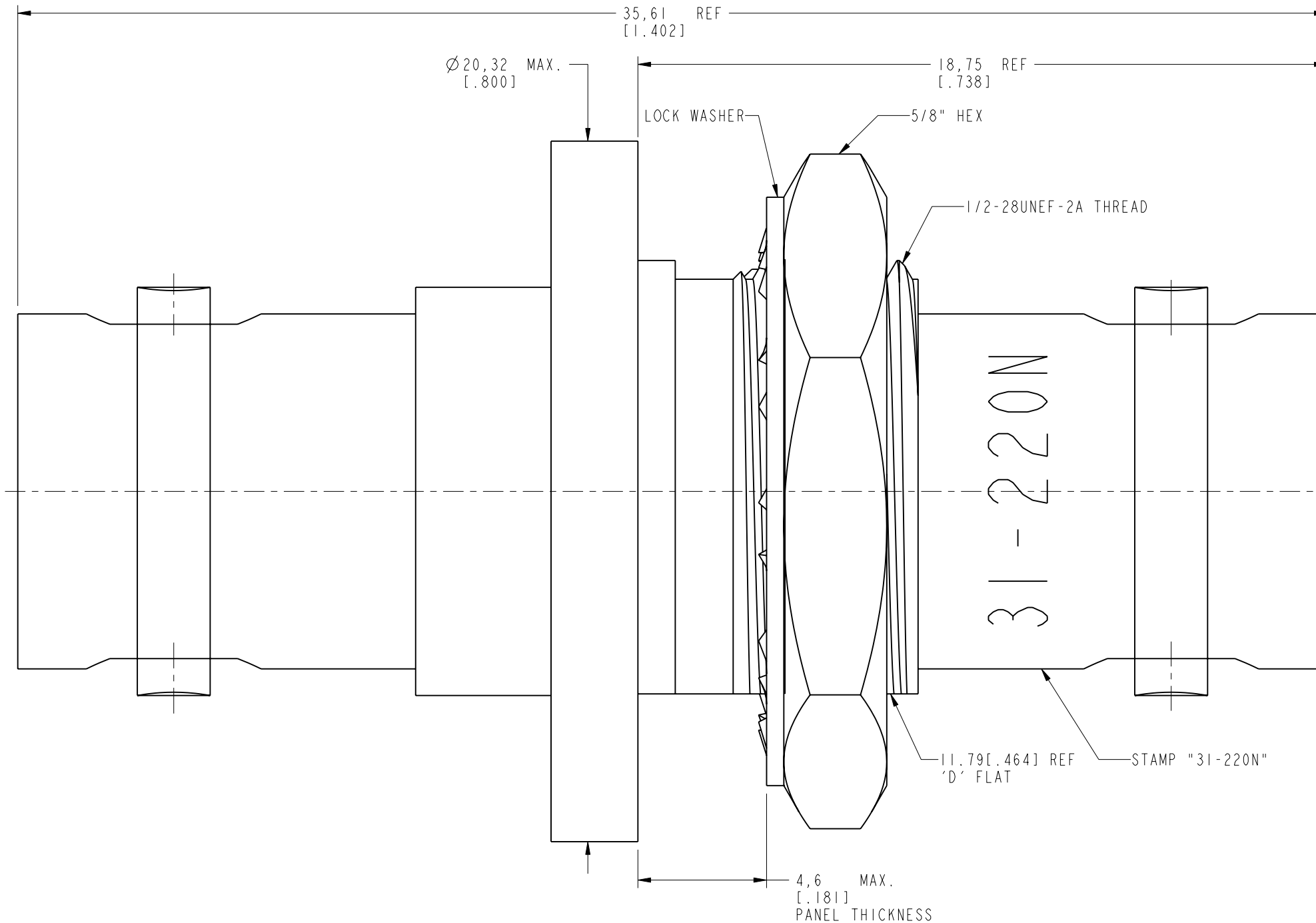
NOTES:

1. MATERIALS AND FINISHES:
 BODY, RETAINING RING & HEX NUT - BRASS, NICKEL PLATING
 CONTACT - PHOSPHOR BRONZE, SILVER PLATING
 INSULATOR - PTFE, NATURAL
 LOCKWASHER - BRASS, NICKEL PLATING
2. ELECTRICAL:
 A. IMPEDANCE: 50 OHM
3. MECHANICAL:
 A. DURABILITY: 500 CYCLES MIN.
 B. TEMPERATURE RANGE: -65°C TO +165°C
4. PACKAGING:
 A. QUANTITY: SINGLE PACK
 B. MARKING: BAG TO BE MARKED
 "AMPHENOL RF, 31-220N, AND DATE CODE"

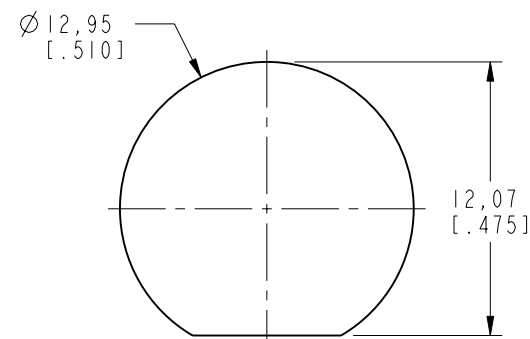
THIRD ANGLE PROJ.

REVISIONS

REV	DESCRIPTION	DATE	ECO	APPR
--	RELEASE TO MFG.	--	--	--
L	REDRAWN IN PRO-E & COD ADDED	15-Jun-15	49786	SH



SCALE 1.500



RECOMMENDED MOUNTING HOLE DIMENSIONS

CUSTOMER OUTLINE DRAWING

ALL OTHER SHEETS ARE FOR INTERNAL USE ONLY

UNLESS OTHERWISE SPECIFIED, DIMENSIONS ARE IN INCHES AND TOLERANCES ARE: 2 PLACE DECIMAL 3 PLACE DECIMAL ANGLES $\pm .015$ (0,381 mm) $\pm .005$ (0,127 mm) $\pm 1^\circ$	MATERIAL	DRAWN	DATE	TITLE 50 OHMS BNC SINGLE HOLE PANEL ADAPTER 2 FEMALE END NON-PRESSURIZED	Amphenol RF www.amphenolrf.com
	SEE NOTES	M. DONG	05-May-15		
NOTICE - These drawings, specifications, or other data (1) are, and remain the property of Amphenol corp. (2) must be returned upon request; and (3) are confidential and not to be disclosed to any person other than those to whom they are given by Amphenol Corp. the furnishing of these drawings, specifications, or other data by Amphenol Corp., or to any other person to anyone for any purpose is not to be regarded by implication or otherwise in any manner licensing, granting rights to permitting such holder or any other person to manufacture, use or sell any product, process or design, patented or otherwise, that may in any way be related to or disclosed by said drawings, specifications, or other data.	REFERENCE	ENGINEER	DATE	SCALE: 7.3:1.0	DRAWING NO.31-220N ITEM NO.31-220N PART NO.31-220N
	EAR # 70117-0	D. ROYCE	17-Oct-89	SHEET 2 OF 2	
	CONFIGURATION LEVEL: In Work	APPROVED	DATE	DWG SIZE	REV
	FINISH	S. HSIEH	05-May-15	B	L