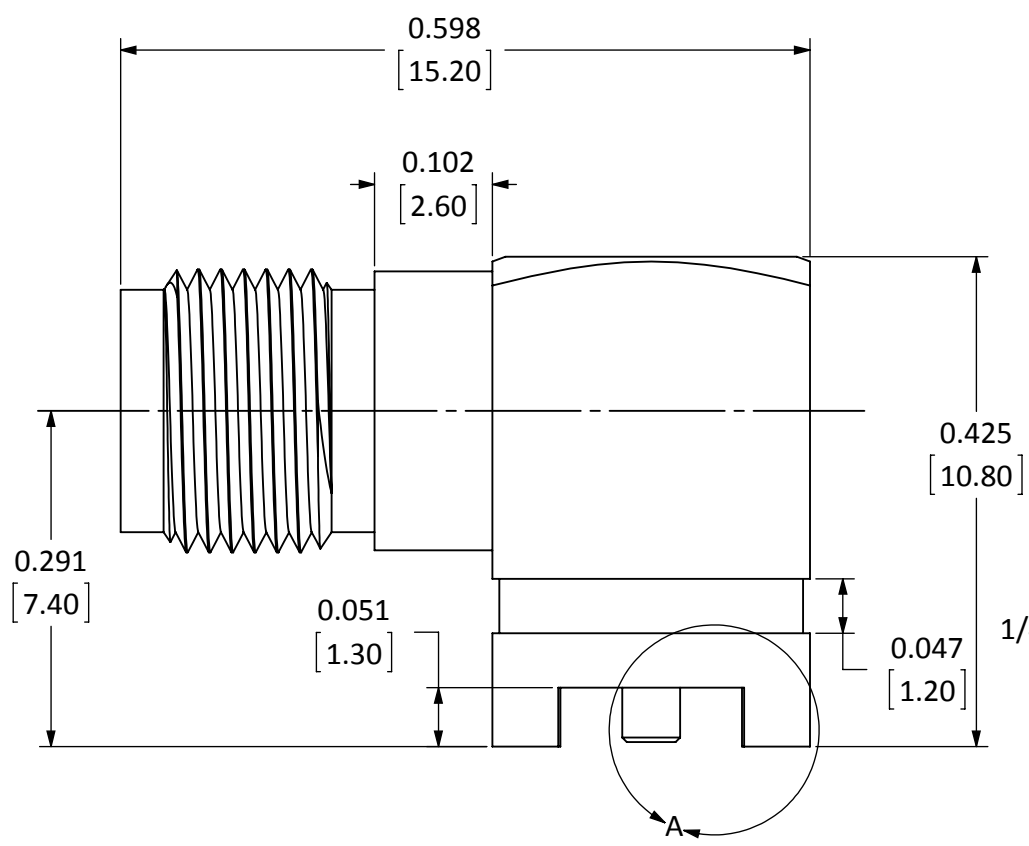
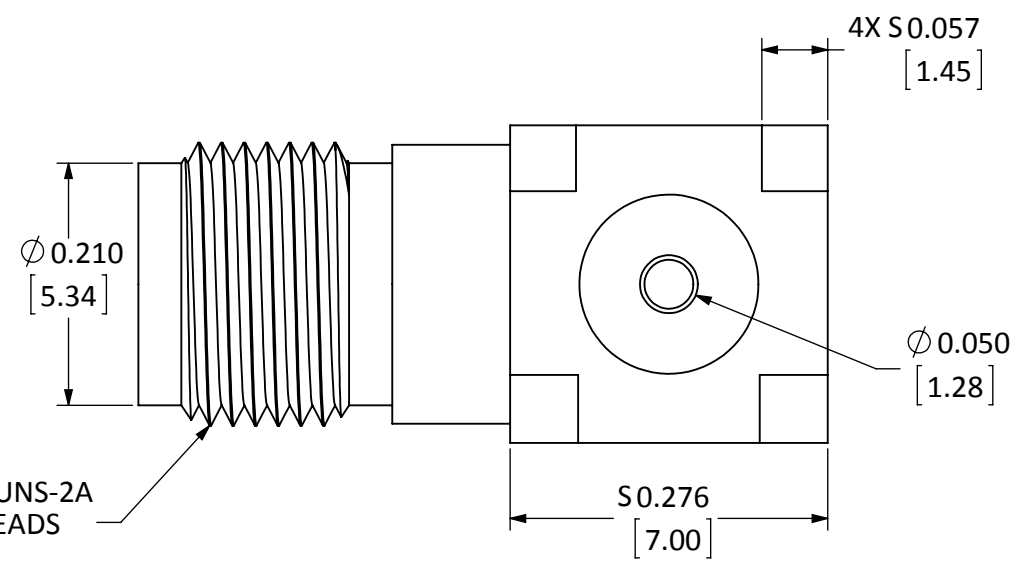


DESCRIPTION	MATERIAL	FINISH
BODY	BRASS	NICKEL
SOCKET	BeCu	GOLD
INSULATION	PTFE	N/A

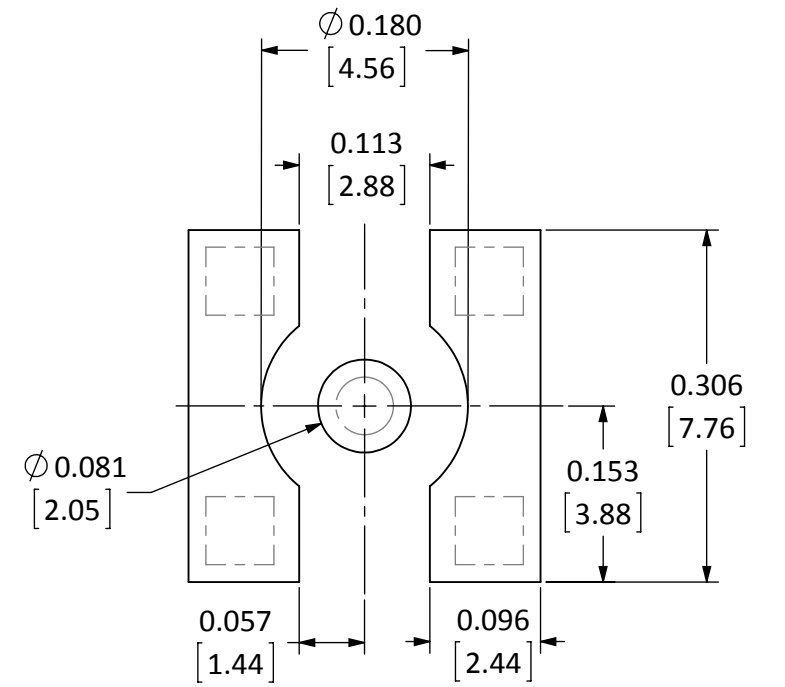
REVISIONS			
REV	DESCRIPTION	DATE	APPV
B	UPDATED FOOTPRINT AND DIMENSIONS; ADDED NEW TITLE BLOCK	29-JUN-12	BPM
C	ADDED SOCKET TO PCB DIMENSION	17-OCT-12	BPM
D	ADDED CONTACT TO STANDOFF DIMENSION; UPDATED NOTE 3; UPDATED VARIOUS DIMENSIONS	3-MAY-16	SAH



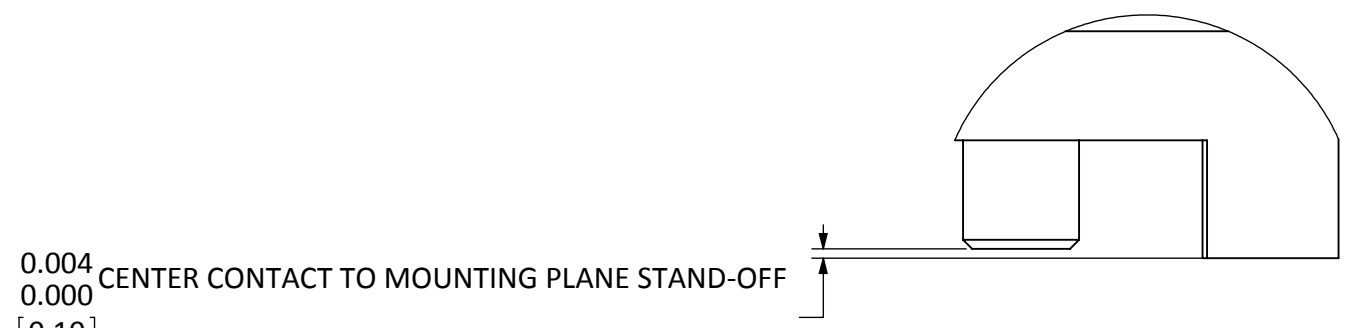
SIDE VIEW



BOTTOM VIEW



RECOMMENDED FOOTPRINT



DETAIL A
SCALE 12 : 1

- NOTES: (UNLESS OTHERWISE SPECIFIED)
1. ALL DIMENSIONS ARE IN INCHES [mm].
 2. DIMENSIONS APPLY AFTER FINISHING.
 3. MANUFACTURE TO BE COMPLIANT WITH EU RoHS DIRECTIVE, USE MATERIALS THAT DO NOT CONTAIN REACH SUBSTANCES OF VERY HIGH CONCERN >1000ppm, AND USE DRC CONFLICT-FREE SOURCED MATERIALS.
 4. SAFETY BREAK ALL SHARP CORNERS AND EDGES .02 MAXIMUM.

WARNING: THIS DRAWING CONTAINS PROPRIETARY INFORMATION THAT IS THE SOLE PROPERTY OF LINX TECHNOLOGIES, AND SHALL BE TREATED AS SUCH. NO DISCLOSURE OR REPRODUCTION OF THIS DOCUMENT IS PERMITTED, IN WHOLE OR IN PART, WITHOUT THE EXPRESS WRITTEN PERMISSION OF LINX TECHNOLOGIES OR ITS DESIGNATED AGENTS.

Linx 159 ORT LANE
MERLIN, OR 97532

TITLE: **SMA FEMALE RIGHT ANGLE SURFACE MOUNT**

MATERIAL:	INTERPRET DIMENSIONS AND TOLERANCES PER ASME Y14.5.	PROJECTION:	SIZE	DWG. NO.	REV
FINISH:	SURFACE FINISH: $\sqrt{}$ ANGLES: $\pm 1^\circ$		B	CONSMA002-SMD	D
	TOLERANCES: .X $\pm .1$.XX $\pm .01$.XXX $\pm .005$		SCALE: 6:1	DO NOT SCALE DRAWING	SHEET 1 OF 1
	DRAWN: B.MURPHY DT: 29-JUN-12				
	ENGR: S.HOGAN DT: 29-JUN-12				

LDCDFB_C

Mouser Electronics

Authorized Distributor

Click to View Pricing, Inventory, Delivery & Lifecycle Information:

[Linx Technologies:](#)

[CONSMA002-SMD](#)