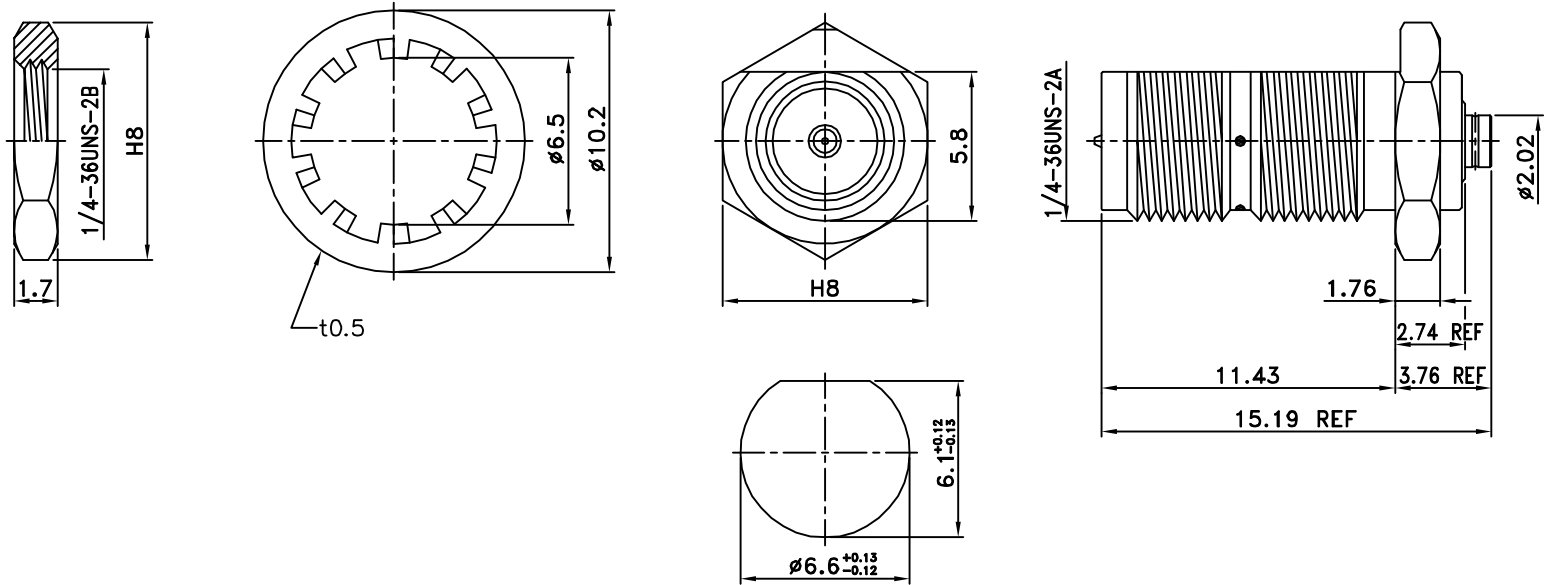


REV	DESCRIPTION\PER REQUEST	DRAWN	DATE



RECOMMENDED  
MOUNTING HOLE

6	Nut	1	Brass	Nickel
5	Washer	1	Brass	Nickel
4	Dielectric	1	Teflon	None
3	Pin	1	Brass	Gold
2	Body	1	Brass	Nickel
1	Body	1	Brass	Nickel
NO	Description	Q'ty	Material	Finish

PART NO.	931RPBUFLP	* MAJOR DIMENSION	Bomar Interconnect Products, Inc	
APPROVED	DATE 11/05/12	UNLESS OTHERWISE NOTED TOLERANCES	TITLE SMA BULKHEAD R/P JACK TO AMC(U.FL)PLUG ADAPTER	
CHECKED	DATE 11/05/12	0.5-6=±0.2	DRAWING NO. ASSMA-10422-RP-TGN	
DRAWN	DATE 11/05/12	6-30=±0.4	REV A	
	Wen	30-120=±0.6	FILE NO. W:\AS\ASSMA\ASSMA-10422-RP-TGN Bomar-->20121105	
		120-315=±1.0		
		ANGLES=±1°		
		SCALE 4/1	UNIT	mm

# Mouser Electronics

Authorized Distributor

Click to View Pricing, Inventory, Delivery & Lifecycle Information:

[Bomar Interconnect:](#)

[931RPBUFLP](#)