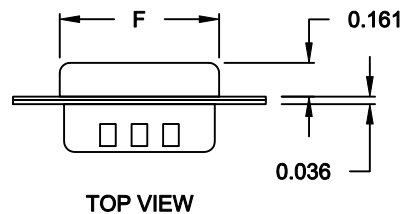


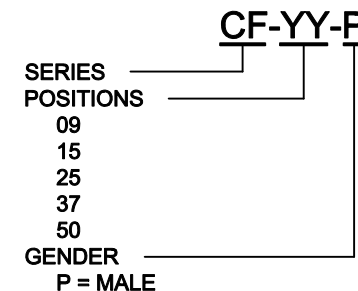
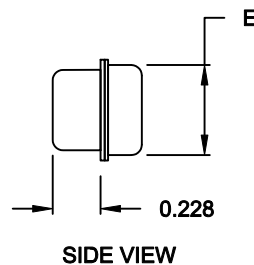
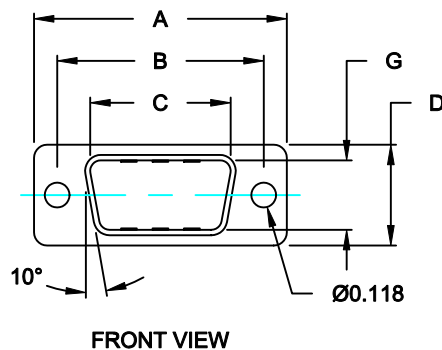
MATERIAL:

SHELL: STEEL, TIN PLATED

****NOTE: COVER IS USED TO COVER FEMALE CONNECTORS**



No. OF PINS	DIMENSIONS (IN.)						
	A	B	C	D	E	F	G
9	1.205	0.984	0.669	0.480	0.429	0.760	0.331
15	1.535	1.311	0.996	0.480	0.429	1.083	0.331
25	2.079	1.850	1.535	0.480	0.429	1.630	0.331
37	2.724	2.500	2.181	0.480	0.429	2.278	0.331
50	2.622	2.406	2.083	0.598	0.535	2.182	0.438



DO NOT SCALE FROM DRAWING



THESE DRAWINGS AND SPECIFICATIONS ARE THE PROPERTY OF NorComp AND SHALL NOT BE REPRODUCED, COPIED OR USED AS THE BASIS FOR THE MANUFACTURE OF SALE OF APPARATUS WITHOUT WRITTEN PERMISSION.

DRAWN: C. SMITH

DATE: 01-17-08

CHECKED:

DATE:

NorComp

SCALE: 1 : 1 SHEET 1 OF 1 REV 3

DWG NO. CFYYP

RoHS COMPLIANT

Mouser Electronics

Authorized Distributor

Click to View Pricing, Inventory, Delivery & Lifecycle Information:

[NorComp:](#)

[CF09P](#) [CF15P](#) [CF25P](#) [CF37P](#) [CF50P](#)