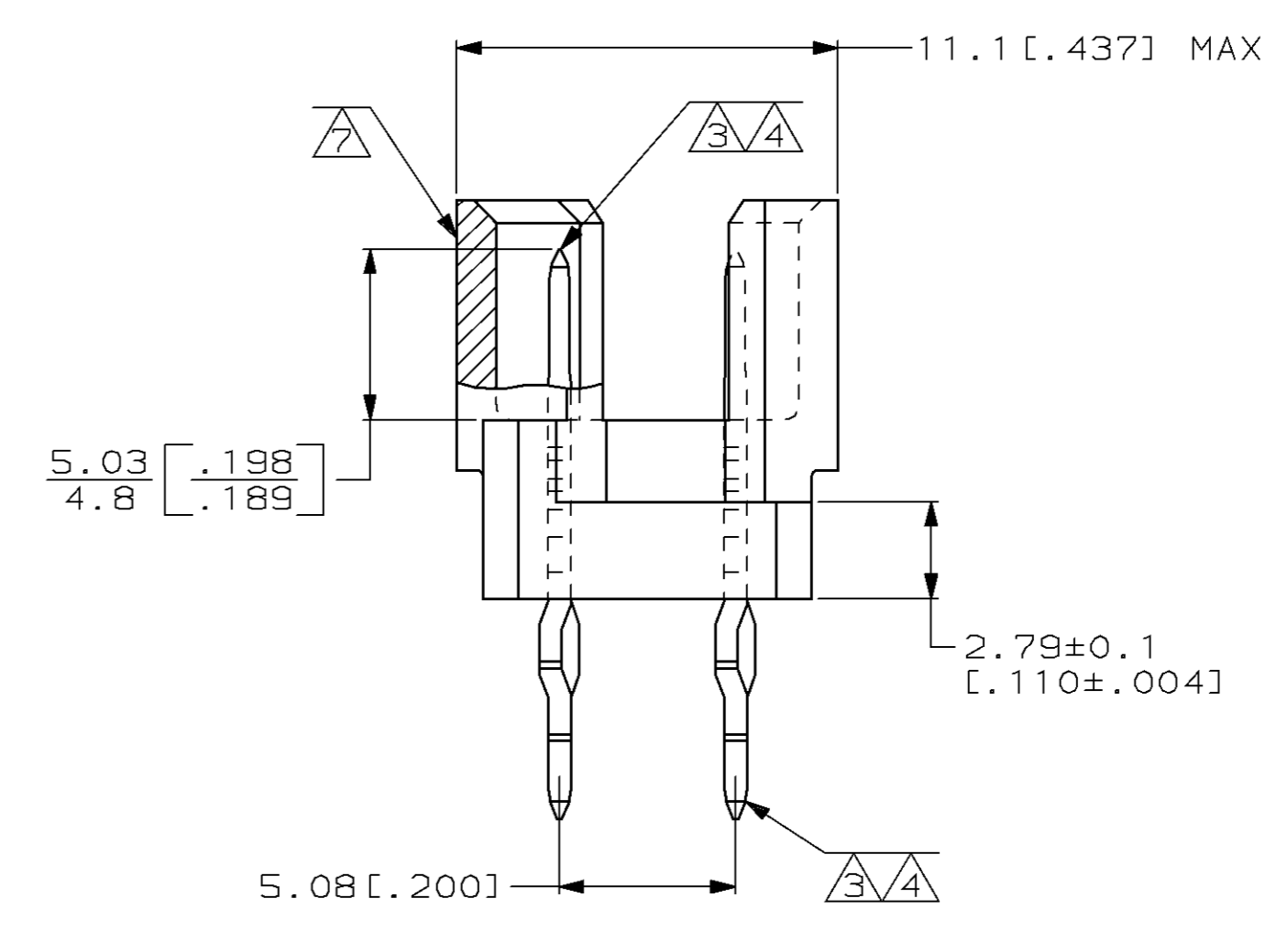
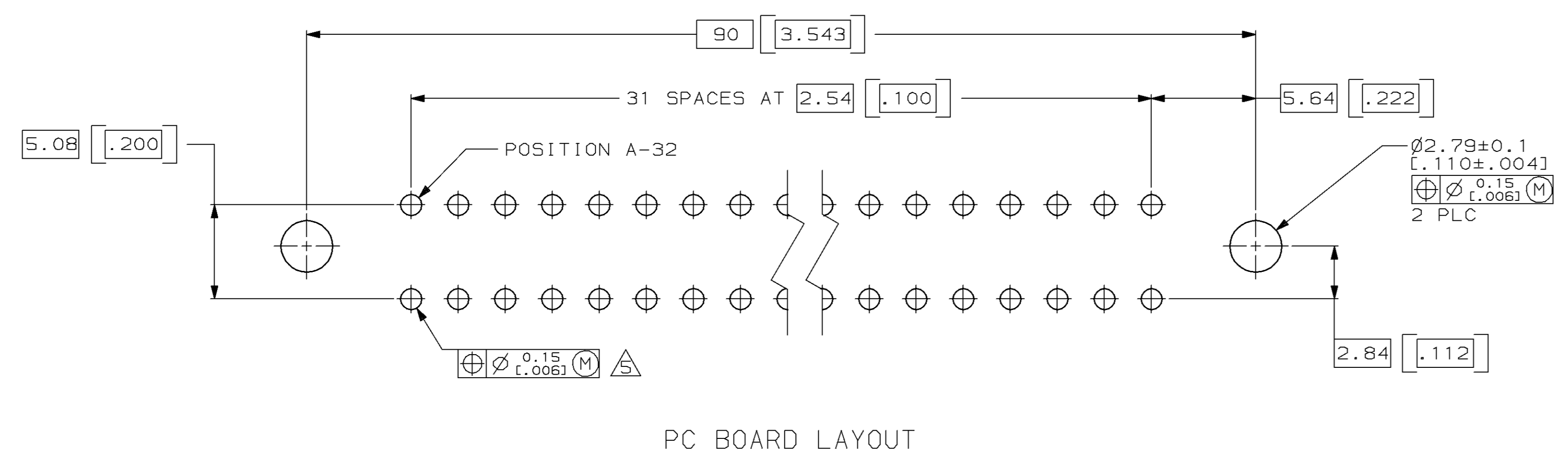
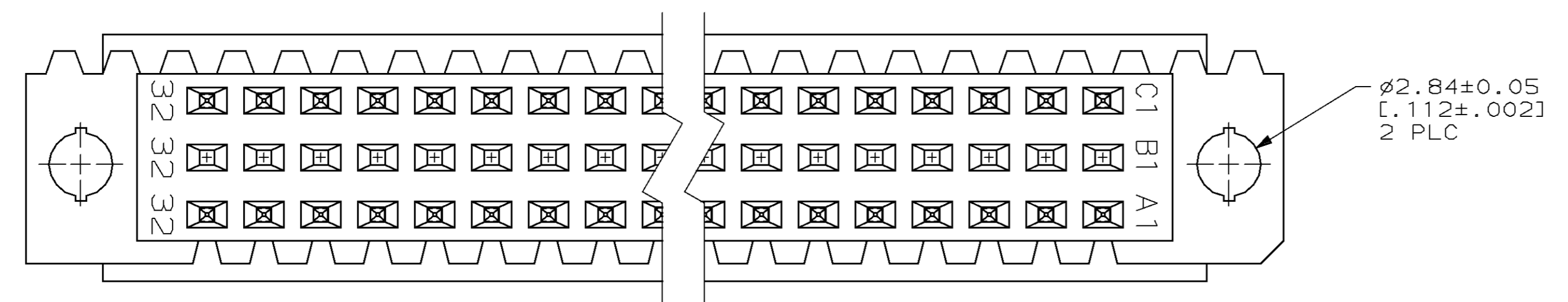
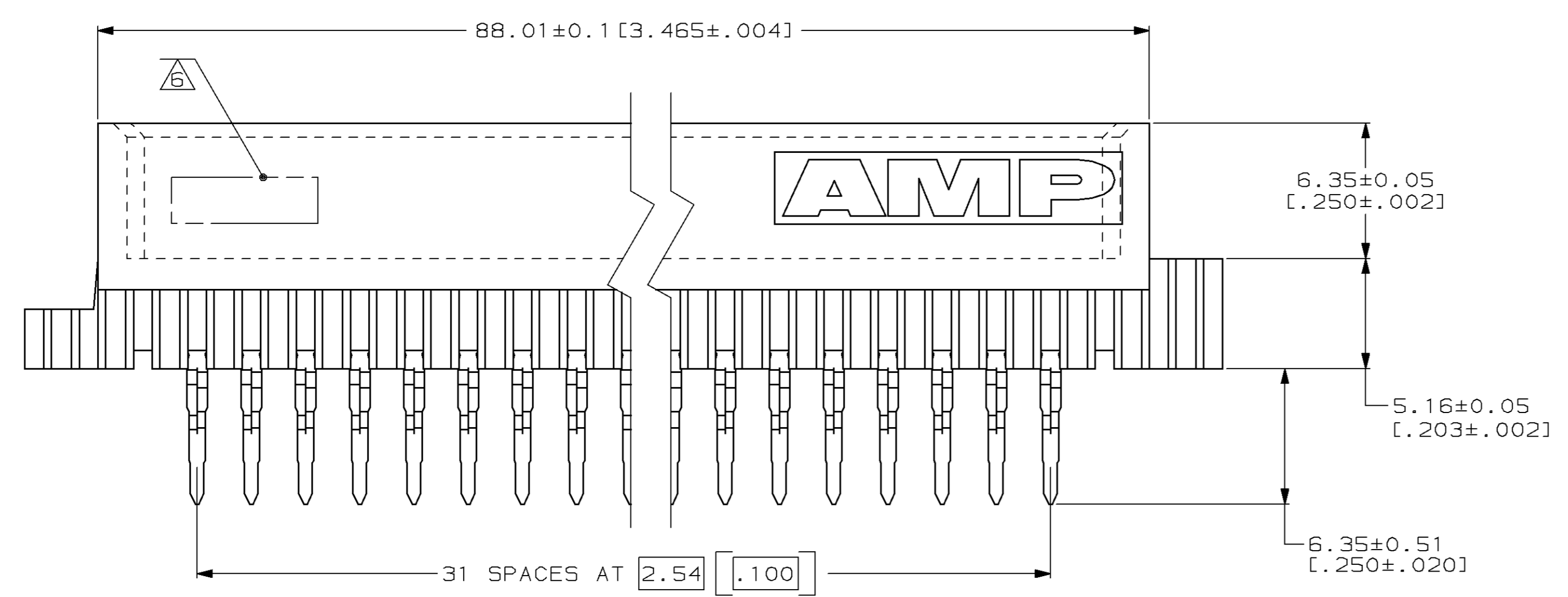
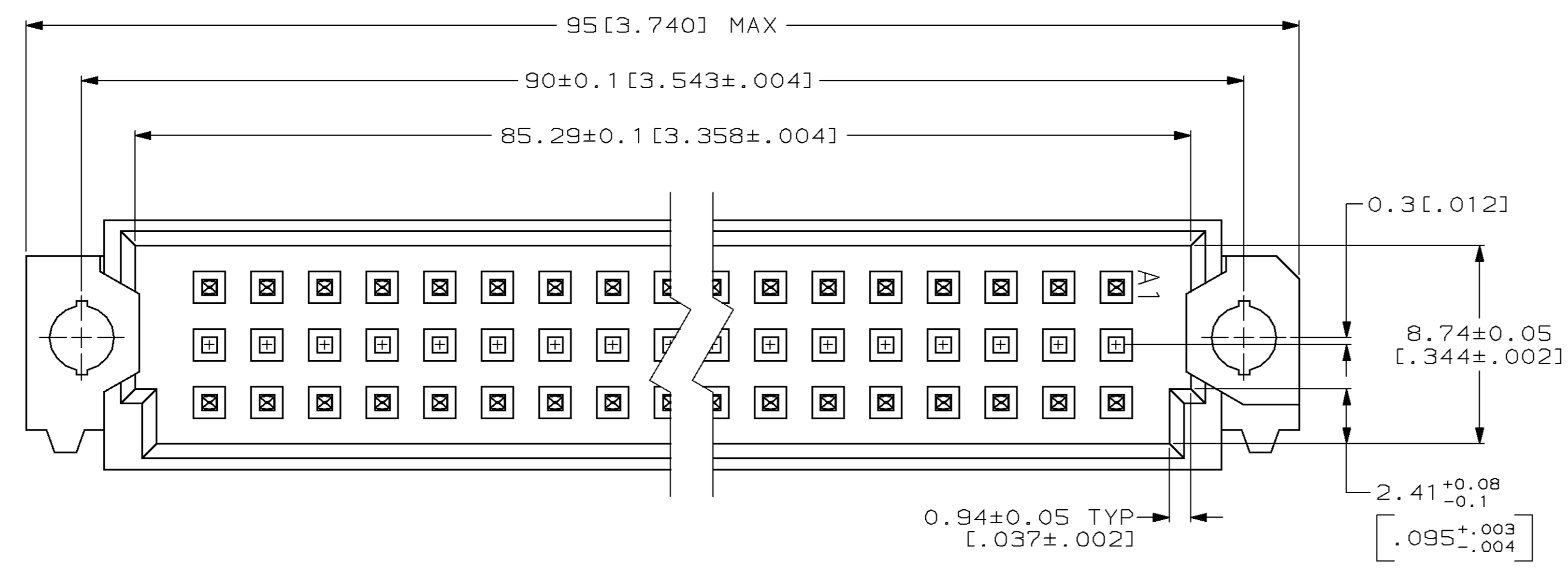


LOC	DIST	P	F	ZONE	LTR	REVISIONS	DATE	APPD
AD	25					0 DRAWN	-	-
						B ECN AD5586; AD5640	6/10/91	LSB
						C ECN AD5876	11/14/91	LSB
						D ECN AD5871	12/30/91	LSB
						E ECN AD6256	6/2/92	LSB
						F EC 0010-0151-94	2/7/94	LSB
						G EC 0010-0436-94	3/25/94	LSB
						H EC 0010-0077-95	2/24/95	LSB



- △ HOUSING MATERIAL: GLASS-FILLED POLYESTER. COLOR: GRAY.
- △ POST MATERIAL: PHOSPHOR BRONZE.
- △ POST FINISH: DIN 41612 CLASS 3 IN CONTACT AREA. TIN-LEAD PLATE ON POSTS.
- △ POST FINISH: DIN 41612 CLASS 2 IN CONTACT AREA. TIN-LEAD PLATE ON POSTS.
- △ ACTION PIN POSTS REQUIRE 2.36[.093] MINIMUM THICK PC BOARD. RECOMMENDED PC BOARD HOLES ARE 1.151[.0453] DIA PLATED THROUGH WITH 0.02-0.08[.001-.003] COPPER AND 0.008[.0003] MINIMUM TIN-LEAD PLATING. FINISHED HOLE AFTER PLATING, 0.94-1.09[.037-.043] DIA.
- △ [PART NUMBER, DATE CODE] MARKED THIS APPROXIMATE AREA.
- △ MARKING ON THIS SIDE.

NOTES	POSITIONS LOADED	C	B	A	NO. OF LOADED POSITION	ASSY PART NUMBER
OBSOLETE						

DO NOT SCALE PRINT. UNLESS SPECIFIED DIMENSIONS IN mm [INCHES] TOLERANCES ON:		DR L. BRINER 3/18/91		PART NO	
1 PLC DEC ± -		CHK D.C. RUBENDALL 3/26/91		AMP AMP Incorporated Harrisburg, PA 17105-3608	
2 PLC DEC ± 0.13[.005]		APPD D.C. RUBENDALL 3/26/91		NAME	
ANGLES ± -		APPD K.R. PARMER 3/26/91		PIN ASSEMBLY, EUROCARD, TYPE "R"	
MATERIAL		PRODUCT SPEC		SIZE	
HOUSING: △		APPLICATION SPEC		D 00779	
POST: △		WEIGHT		DRAWING NO 650912	
POST: △△		SCALE 5:1		SHEET 1 OF 1	

Mouser Electronics

Authorized Distributor

Click to View Pricing, Inventory, Delivery & Lifecycle Information:

[TE Connectivity:](#)

[650912-5](#)