

4

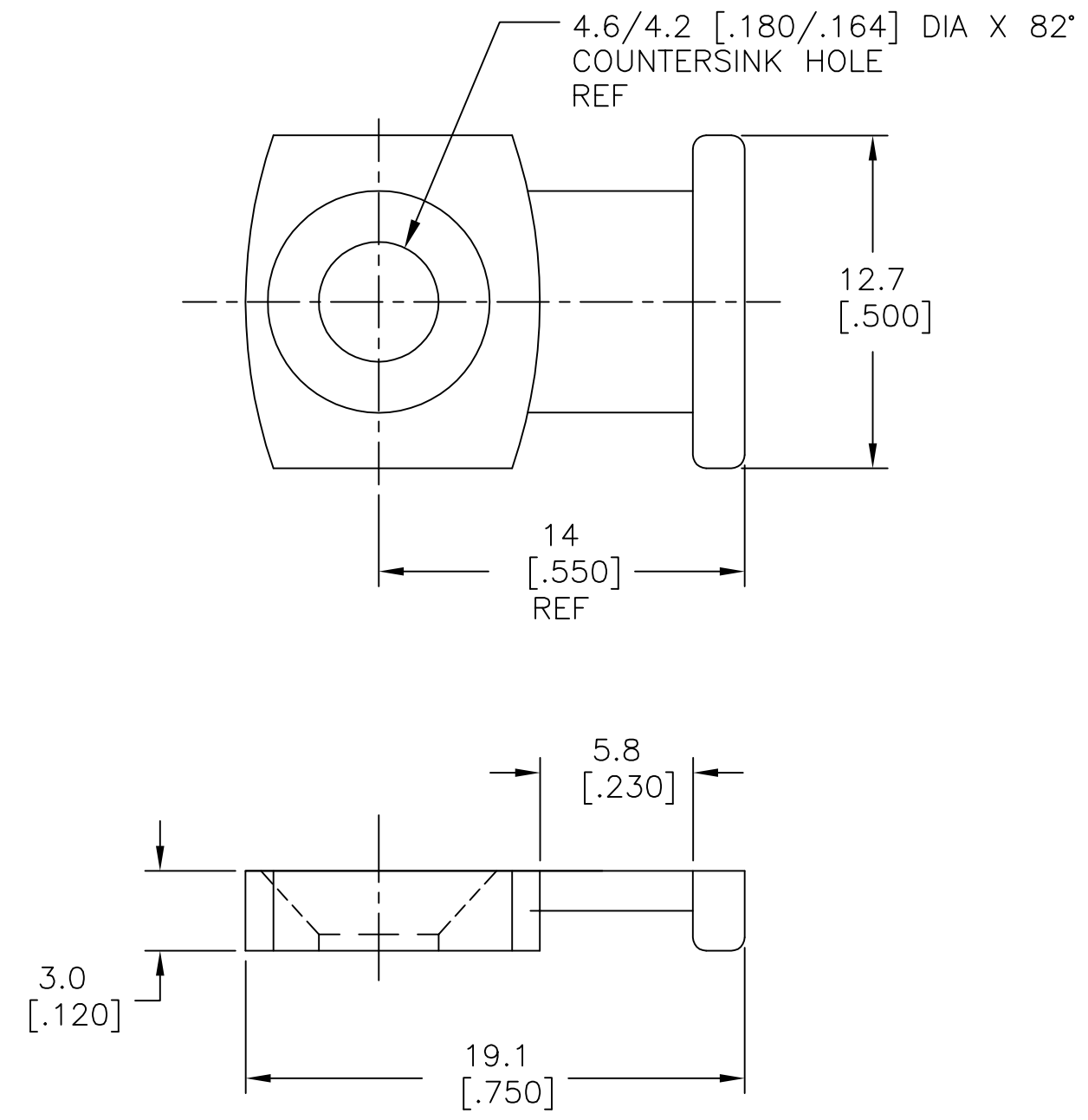
3

2

1


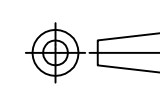
THIS DRAWING IS UNPUBLISHED. RELEASED FOR PUBLICATION - , - .
 © COPYRIGHT - TE Connectivity ALL RIGHTS RESERVED.

REVISIONS					
P	LTR	DESCRIPTION	DATE	DWN	APVD
	F	REV PER ECR 10-015407	28JUL10	JR	TM
	F1	REVISED PER ECO-17-009170	07OCT2017	RS	DR



1 NOT WEATHER RESISTANT

100	LOOSE PIECE	1-350087-0
QTY PER PACK	PACKAGE TYPE	PART NO.

THIS DRAWING IS A CONTROLLED DOCUMENT.		DWN jr_ruth 23FEB09	 TE Connectivity				
DIMENSIONS: mm [INCHES]		CHK TOM MICHELUTTI 23FEB09					
TOLERANCES UNLESS OTHERWISE SPECIFIED:		APVD TOM MICHELUTTI 23FEB09	NAME BASE, PRE-MOUNTABLE, CABLE TIE				
 0 PLC ± - 1 PLC ± - 2 PLC ± - 3 PLC ± 0.5 [.020] 4 PLC ± - ANGLES ± 5°		PRODUCT SPEC -	APPLICATION SPEC -				
MATERIAL 6,6 NYLON		FINISH COLOR - BLACK	WEIGHT -	SIZE A3	CAGE CODE 00779	DRAWING NO C-350087	RESTRICTED TO -
CUSTOMER DRAWING			SCALE 4:1	SHEET 1 OF 1	REV F1		

Mouser Electronics

Authorized Distributor

Click to View Pricing, Inventory, Delivery & Lifecycle Information:

[TE Connectivity:](#)

[1-350087-0](#)