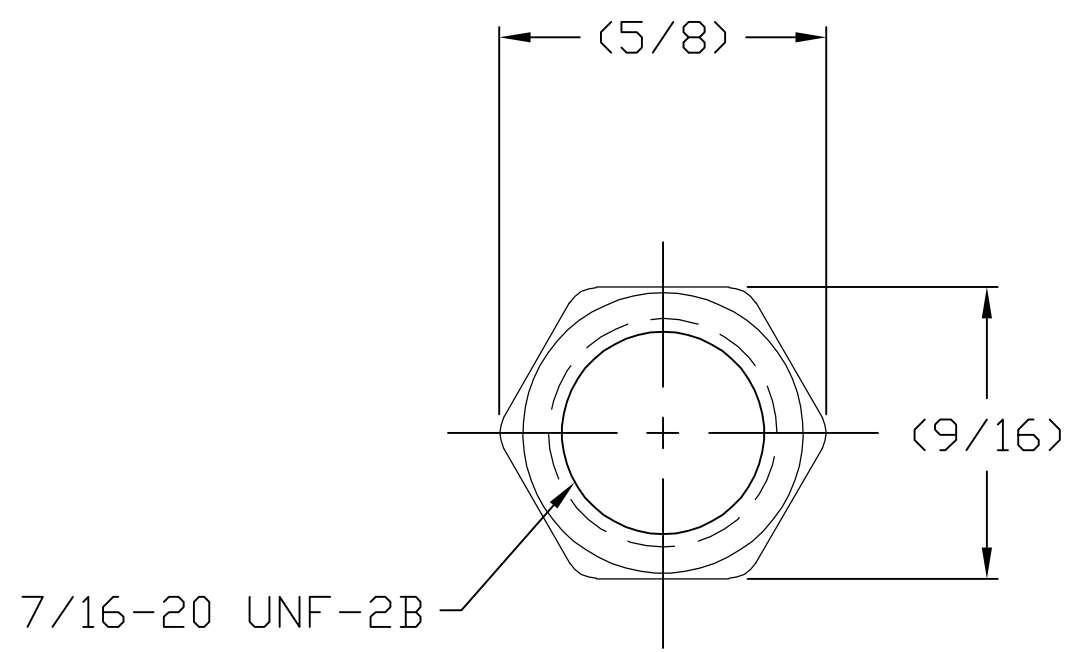
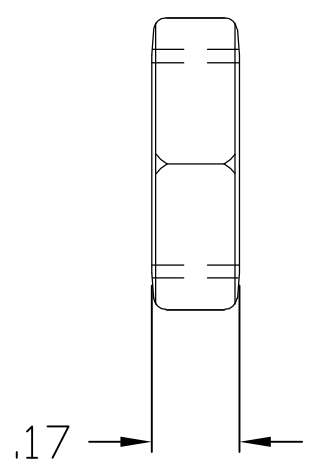


THIS DRAWING IS UNPUBLISHED. RELEASED FOR PUBLICATION
 © COPYRIGHT BY TYCO ELECTRONICS CORPORATION. ALL RIGHTS RESERVED.

LOC	DIST	REVISIONS					
GP	00	P	LTR	DESCRIPTION	DATE	DWN	APVD
			A	RELEASED	01AUG06	RG	SF



1. PART NUMBER CHANGES AND/OR DESIGN CHANGES AFFECTING ITEM INTERCHANGEABILITY REQUIRES PRIOR TYCO APPROVAL AND AUTHORIZATION BY REVISION TO THIS DRAWING.

2. MATERIAL:
BRASS ALLOY

3. FINISH:
SILVER PLATE .000100 MIN THK.
OVER NICKEL .000040 MIN THK.

4. ITEMS PROVIDED TO THIS SPECIFICATION TO BE PERMANENTLY IDENTIFIED ON THE CONTAINER PER THE FOLLOWING IDENTIFIER:

TYCO PART NUMBER YEAR WEEK
 XXXXXXXX-X XXXX 0216

AS SHOWN	1766165-1
DESCRIPTION	PART NUMBER

THIS DRAWING IS A CONTROLLED DOCUMENT.		DWN R.GRZYBOWSKI	01AUG06	Tyco Electronics Corporation Harrisburg, PA 17105-3608	
DIMENSIONS: INCHES		CHK S.FLICKINGER	01AUG06		
		APVD S.FLICKINGER	01AUG06	NAME JAM NUT, HEXAGON 7/16 - 20 UNF ICCON	
TOLERANCES UNLESS OTHERWISE SPECIFIED:		PRODUCT SPEC		RESTRICTED TO	
0 PLC ± -		APPLICATION SPEC		SIZE	CAGE CODE
1 PLC ± -		WEIGHT		A3	00779
2 PLC ± .01		CUSTOMER DRAWING		DRAWING NO C-1766165	
3 PLC ± .005		SCALE		3:1	SHEET
4 PLC ± -		SHEET		1	OF 1
ANGLES ± 3		REV		A	
MATERIAL	FINISH				
2	3				

ELCON | ICON

Mouser Electronics

Authorized Distributor

Click to View Pricing, Inventory, Delivery & Lifecycle Information:

[TE Connectivity:](#)

[1766165-1](#)