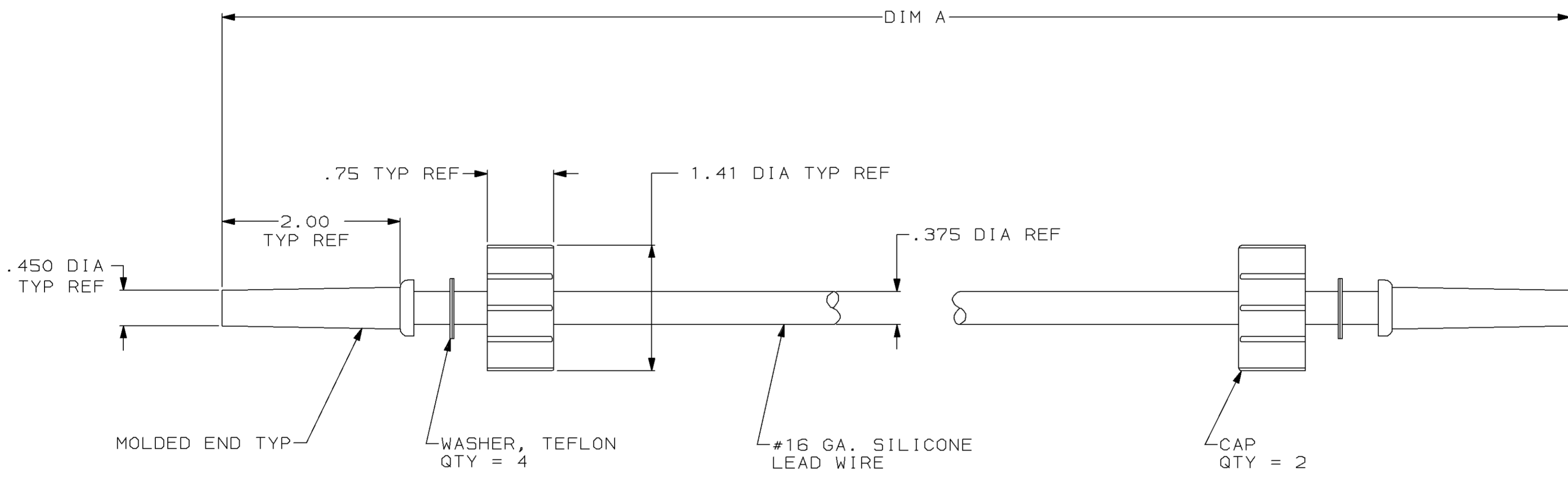


4092	Loc	DIST	REVISIONS					
DF	SO	P	F	ZONE	LTR	DESCRIPTION	DATE	APPD
					0	RSLE/W.0.8-036F CCT	2-88	GS
					A	REV 0600-0605-93 TT	07-93	SG



1. MARKED PER MIL STD-130.
2. TO MATE WITH AMP LGH-4 RECEPTACLE WITH 2.00 BARREL DEPTH.
3. COLOR OF LEAD WIRE: WHITE.

18.00±.12	445217-2
24.00±.24	445217-1
A DIM	PART NO

DO NOT SCALE PRINT. UNLESS SPECIFIED DIMENSIONS IN INCHES TOLERANCES ON : 2 PLC DEC ± — 3 PLC DEC ± — ANGLES ± —	DR 2-10-88 C. THOMAS	AMP INCORPORATED Harrisburg, Pa. 17105	
	CHK 2-12-88 G. SCHAEFFER		
MATERIAL	APPD 2-12-88 M. GARDNER	NAME	
FINISH	APPD 2-12-88 W. SHATTO	LEAD ASS'Y, DBL. END, LGH-4	
	PRODUCT SPEC	SIZE	FSCM NO
	APPLICATION SPEC	C	00779
	WEIGHT	SCALE	DRAWING NO
		1:1	445217
			SHEET 1 OF 1

Mouser Electronics

Authorized Distributor

Click to View Pricing, Inventory, Delivery & Lifecycle Information:

[TE Connectivity:](#)

[445217-1](#)