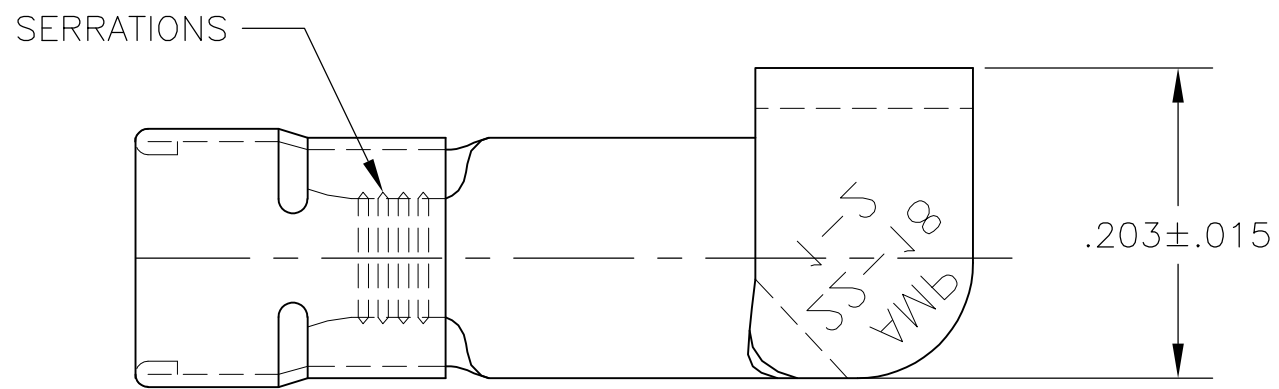
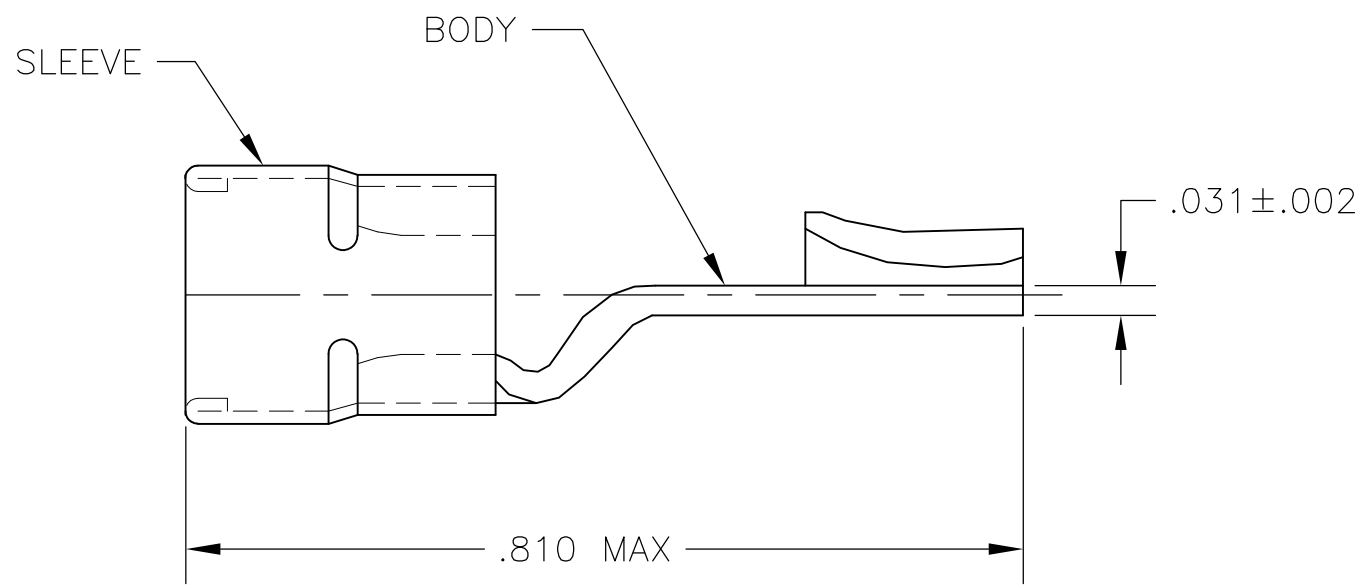


THIS DRAWING IS UNPUBLISHED. RELEASED FOR PUBLICATION
 © COPYRIGHT - By - ALL RIGHTS RESERVED.

LOC	DIST	REVISIONS			
P	LTR	DESCRIPTION	DATE	DWN	APVD
G	86	C1	REVISED PER ECO-12-019895	15NOV2012	KH DR



- 1 FOR .105 TO .140 WIRE INSULATION DIA
- 2 MARKING 22-18 FOR MILITARY COMMERCIAL RANGE 22-16.
- △3 BODY & SLEEVE: COPPER PER ASTM-B152
- △4 TIN PLATE .000100 MIN THK PER ASTM-B545



5000	31777 ON TAPE	2-31777-1
1000	LOOSE PIECE	31777
QTY	PACKAGE TYPE	PART NO

THIS DRAWING IS A CONTROLLED DOCUMENT.		DWN RAGHAVENDRA 07AUG08	STE TE Connectivity													
DIMENSIONS: INCHES		CHK T MICHELUTTI 07AUG08														
TOLERANCES UNLESS OTHERWISE SPECIFIED:		APVD T MICHELUTTI 07AUG08	NAME													
<table border="0"> <tr><td>0 PLC</td><td>± -</td></tr> <tr><td>1 PLC</td><td>± -</td></tr> <tr><td>2 PLC</td><td>± -</td></tr> <tr><td>3 PLC</td><td>± .008</td></tr> <tr><td>4 PLC</td><td>± -</td></tr> <tr><td>ANGLES</td><td>± 5°</td></tr> </table>		0 PLC	± -	1 PLC	± -	2 PLC	± -	3 PLC	± .008	4 PLC	± -	ANGLES	± 5°	PRODUCT SPEC		WIRE TERMINAL DIAMOND GRIP-KNIFE DISCONNECT WIRE SIZE: 22-16
0 PLC	± -															
1 PLC	± -															
2 PLC	± -															
3 PLC	± .008															
4 PLC	± -															
ANGLES	± 5°															
MATERIAL		APPLICATION SPEC														
<table border="0"> <tr><td>△3</td></tr> </table>		△3	<table border="0"> <tr><td>△4</td></tr> </table>		△4	RESTRICTED TO										
△3																
△4																
CUSTOMER DRAWING		WEIGHT	SIZE A3	CAGE CODE 00779												
		DRAWING NO G-31777		REV C1												
		SCALE 5:1		SHEET 1 OF 1												

Mouser Electronics

Authorized Distributor

Click to View Pricing, Inventory, Delivery & Lifecycle Information:

[TE Connectivity:](#)

[2-31777-1](#)