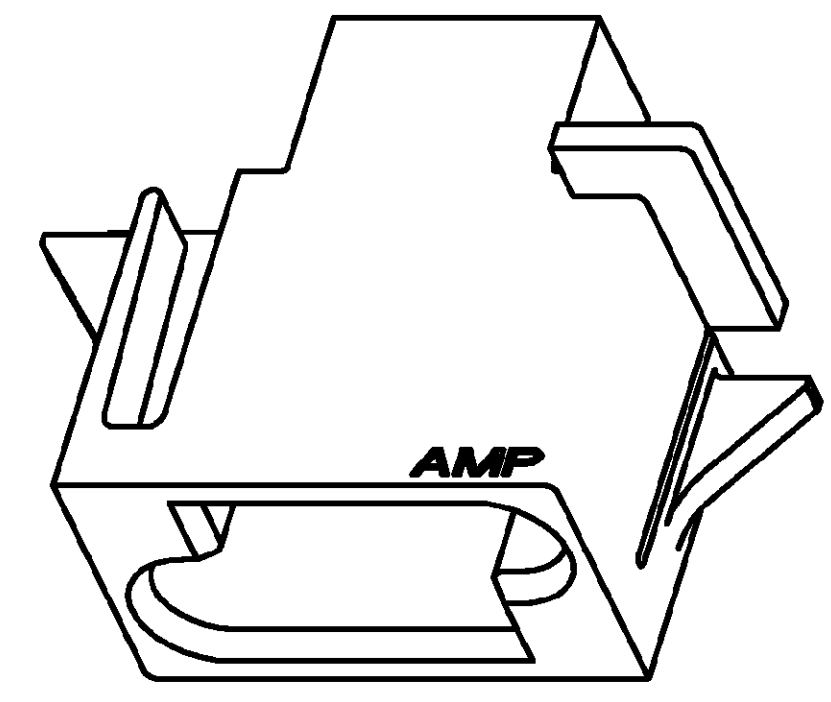
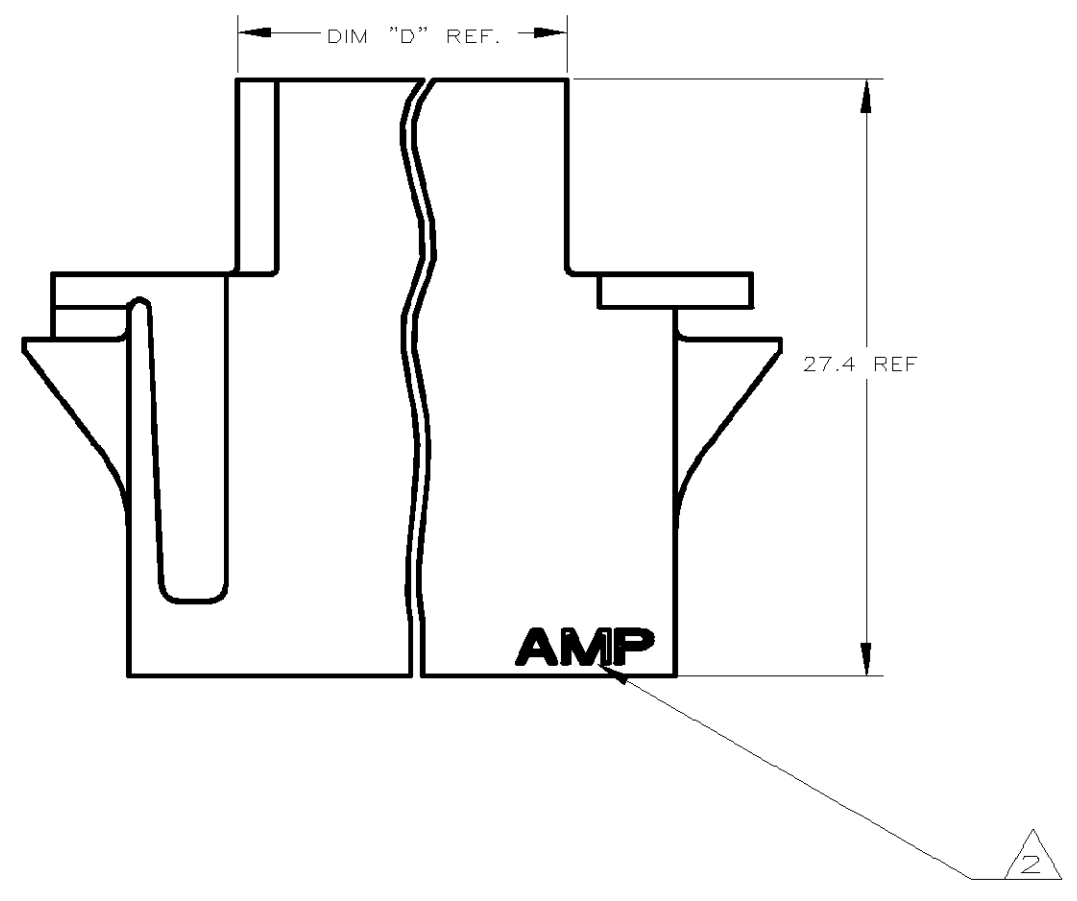
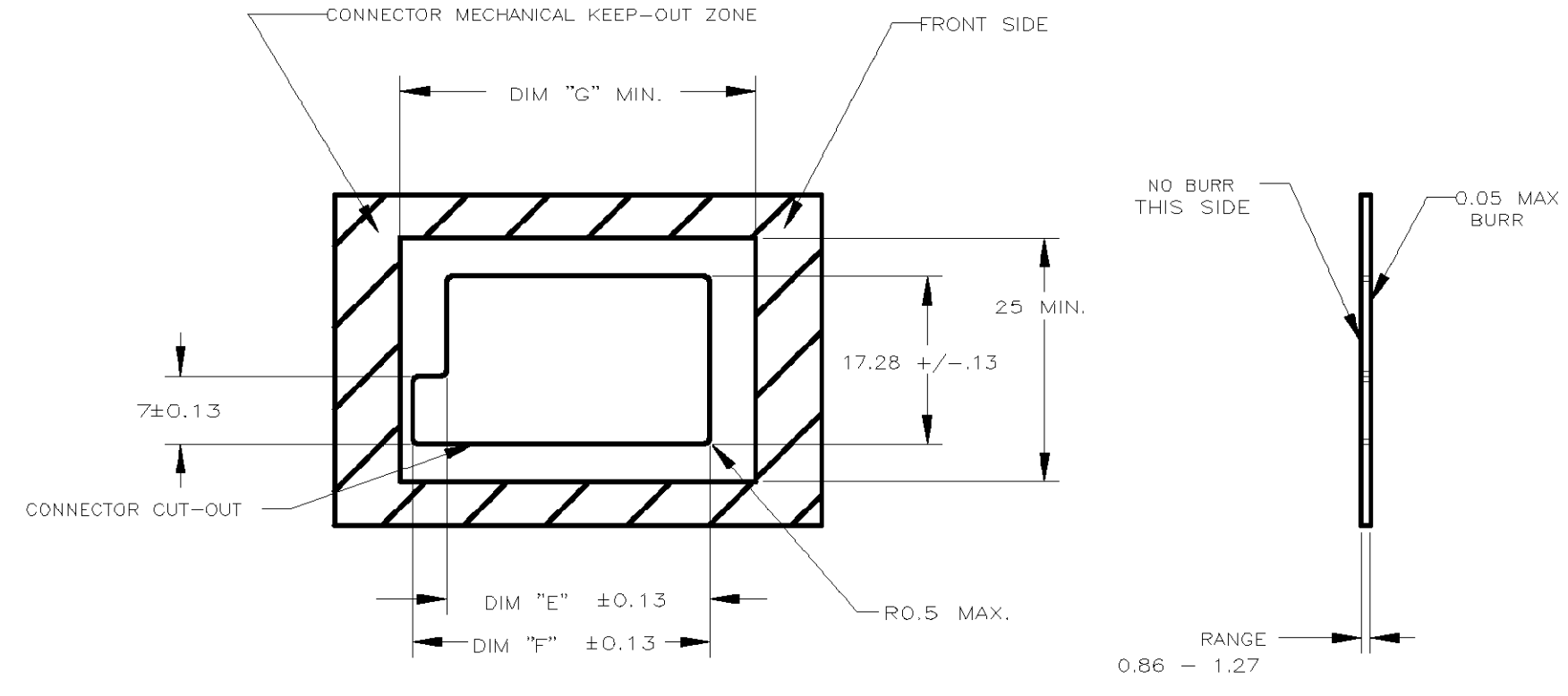
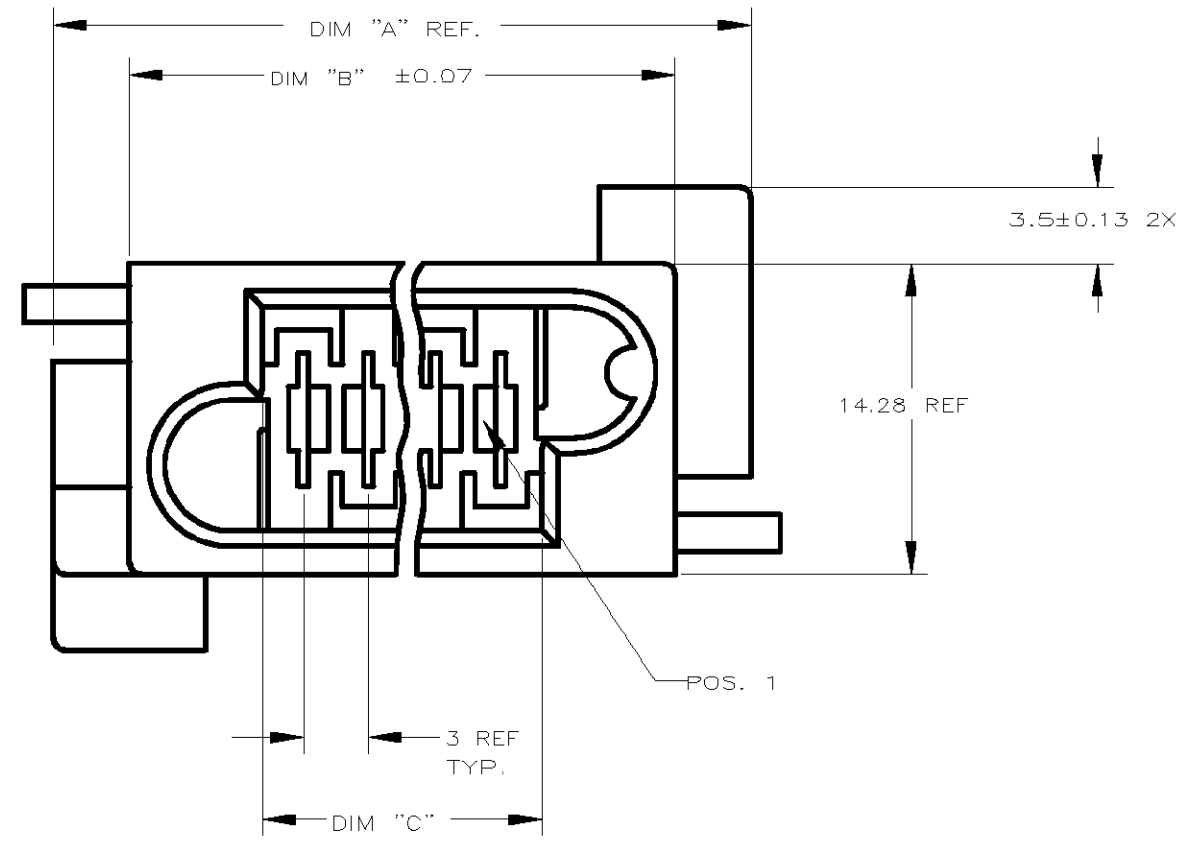


LOC	DIST	REVISIONS			
P	LTR	DESCRIPTION	DATE	DWN	APVD
GP	00	0	RELEASED EC 0512-0151-02 (PENDING)	-	-



- 1 MATERIAL: HOUSING - HIGH TEMP THERMOPLASTIC (UL 94 V-0), BLACK
- 2 "AMP" TRADEMARK TO APPEAR ON THIS SURFACE, APPROXIMATE LOCATION SHOWN.
- 3 THESE PART NUMBERS ARE NOT RELEASED TO PRODUCTION.

1489127-2 SHOWN



RECOMMENDED PANEL CUTOUT

P/N	POSITIONS	DIM "A"	DIM "B"	DIM "C"	DIM "D"	DIM "E"	DIM "F"	DIM "G"
1489127-1	3	29.0	22.0	9.75	12.1	25.0	28.5	33.5
1489127-2	4	32.0	25.0	12.75	15.1	28.0	31.5	36.5
1489127-3	5	35.0	28.0	15.75	18.1	31.0	34.5	39.5
1489127-4	6	38.0	31.0	18.75	21.1	34.0	37.5	42.5
1489127-5	7	41.0	34.0	21.75	24.1	37.0	40.5	45.5
1489127-6	8	44.0	37.0	24.75	27.1	40.0	43.5	48.5
1489127-7	9	47.0	40.0	27.75	30.1	43.0	46.5	51.5
1489127-8	10	50.0	43.0	30.75	33.1	46.0	49.5	54.5

THIS DRAWING IS A CONTROLLED DOCUMENT.

DIMENSIONS: MM	TOLERANCES UNLESS OTHERWISE SPECIFIED: 0 PLC ± - 1 PLC ± .25 2 PLC ± .13 3 PLC ± .05 4 PLC ANGLES ± 2	DWN AL FRANTUM 14MAY2002 CHK - APVD -	tyco Tyco Electronics Corporation City, State, Zip
MATERIAL 1	FINISH N/A	PRODUCT SPEC 108 - 1998 APPLICATION SPEC 114 - 13067 WEIGHT N/A	NAME MINI POWER DRAWER PLUG HOUSING
CUSTOMER DRAWING		SCALE 1:1	SHEET 1 OF 1 REV 0

1489127

# Mouser Electronics

Authorized Distributor

Click to View Pricing, Inventory, Delivery & Lifecycle Information:

[TE Connectivity:](#)

[1489127-8](#)