

THIS DRAWING IS UNPUBLISHED.

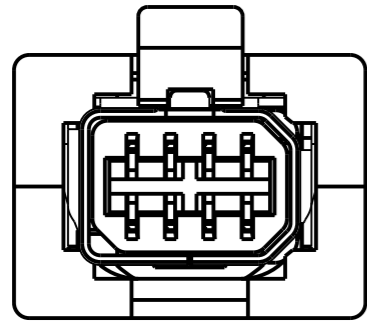
RELEASED FOR PUBLICATION

12JUN2012

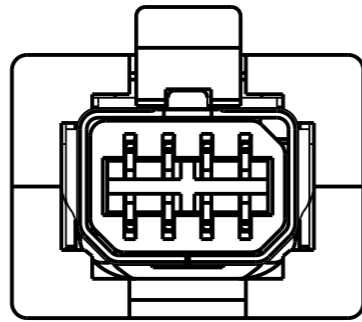
© COPYRIGHT 2012 BY Tyco Electronics Japan G.K. ALL RIGHTS RESERVED.

LOC	DIST	REVISIONS			
P	LTR	DESCRIPTION	DATE	DWN	APVD
J	-	A	RELEASED	06DEC2013	T.S N.Y
		B	ADD ITEM	18NOV2014	T.S N.Y

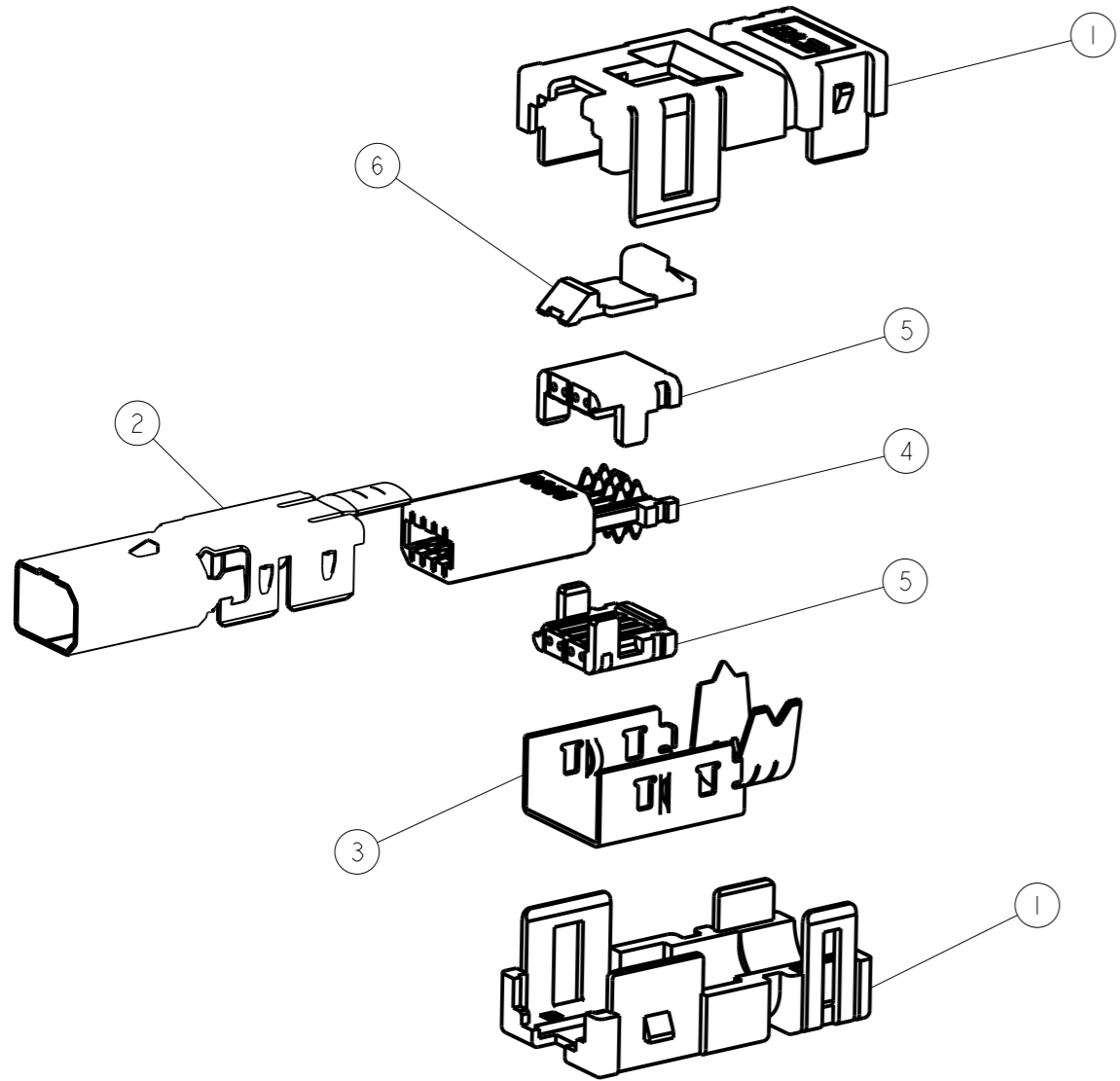
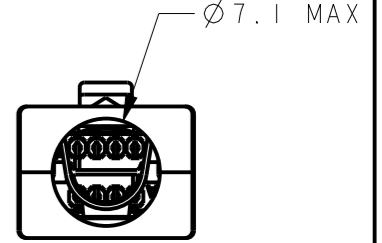
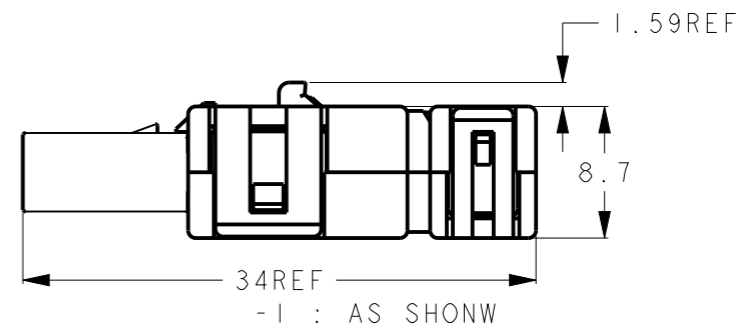
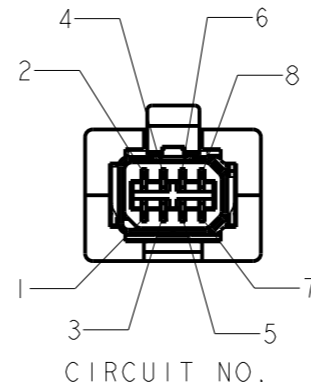
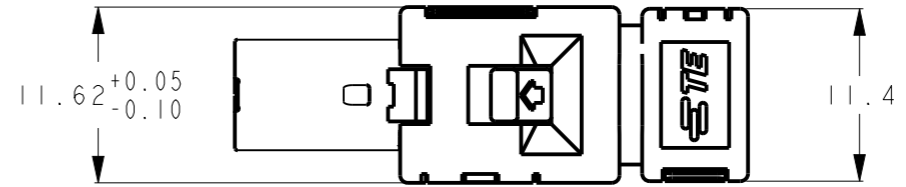
- 1. -1 : TYPE I , INSULATION DIAMETER 1.05-1.15mm
- 1- -1 : TYPE II, INSULATION DIAMETER 1.05-1.15mm
- 2 : TYPE I , INSULATION DIAMETER 0.93-1.05mm
- 1- -2 : TYPE II, INSULATION DIAMETER 0.93-1.05mm
- 3 : TYPE I , INSULATION DIAMETER 0.93-1.05mm IPC, 1.05-1.15mm IPC
- 6 : TYPE I , INSULATION DIAMETER 1.1-1.2mm



MATING SHAPE : TYPE I
2201855-1/-2/-3/-6
SCALE 4:1



MATING SHAPE : TYPE II
1-2201855-1/-2
SCALE 4:1



-1 : AS SHOWN

QTY	1	2	3	4	5	6	MATERIAL/FINISH	PART NAME	ITEM
1	1	1	1	1	1	1	THERMO PLASTIC	LOCK HSG	6
2	-	-	-	-	-	-		CABLE HSG Ø1.10-1.20 COLOR : GREEN	5
-	1	2	2	-	-	THERMO PLASTIC	CABLE HSG Ø0.93-1.05 COLOR : RED		
-	1	-	-	2	2			CABLE HSG Ø1.05-1.15 COLOR : BLUE	
1	1	1	1	1	1	1	HSG MATERIAL:THERMO PLASTIC	PLUG SUB ASSY	4
1	1	1	1	1	1	1	CONTACT MATERIAL:COPPER ALLOY FINISH:NI PLATING ALL OVER CONTACT AREA Au PLATING TERMINATION AREA Au PLATING	PLUG TOP SHELL TYPE II	2
-	-	1	-	1	-	-	MATERIAL:COPPER ALLOY FINISH:NICKEL PLATING		
1	1	-	1	-	1	1	MATERIAL:COPPER ALLOY FINISH:NICKEL PLATING	PLUG TOP SHELL TYPE I	
2	2	2	2	2	2	2	THERMO PLASTIC	PLUG COVER HSG	1
-6	-3	1-	-2	-2	1-	-1			

THIS DRAWING IS A CONTROLLED DOCUMENT.		DWN T. SHIMOYASU 06DEC2013														
DIMENSIONS: mm		CHK M. HARASAWA 06DEC2013														
TOLERANCES UNLESS OTHERWISE SPECIFIED: ±0.5		APVD N. YAMASAKI 06DEC2013	NAME INDUSTRIAL MINI I/O PIERCING PLUG CONNECTOR KIT													
<table border="1"> <tr> <td>Ø PLC</td> <td>±</td> </tr> <tr> <td>1 PLC</td> <td>±0.5</td> </tr> <tr> <td>2 PLC</td> <td>±0.13</td> </tr> <tr> <td>3 PLC</td> <td>±0.013</td> </tr> <tr> <td>4 PLC</td> <td>±0.0001</td> </tr> <tr> <td>ANGLES</td> <td>±</td> </tr> </table>		Ø PLC	±	1 PLC	±0.5	2 PLC	±0.13	3 PLC	±0.013	4 PLC	±0.0001	ANGLES	±	PRODUCT SPEC 108-78955	SIZE A300779	
Ø PLC	±															
1 PLC	±0.5															
2 PLC	±0.13															
3 PLC	±0.013															
4 PLC	±0.0001															
ANGLES	±															
MATERIAL -		APPLICATION SPEC 114-5506	DRAWING NO C=2201855													
FINISH -		WEIGHT -	RESTRICTED TO													
		CUSTOMER DRAWING		SCALE 2:1												
		SHEET 1 OF 1		REV B												

Mouser Electronics

Authorized Distributor

Click to View Pricing, Inventory, Delivery & Lifecycle Information:

[TE Connectivity:](#)

[2201855-1](#)