

PART NAME NON-METALLIC ENCLOSURE (STYLE D)

PART No. NBD-10442 & NBD-10462 & NBD-15442

MATERIAL:
INDOOR VERSION
 SOLID BODY & COVER _____ ABS/PC BLENDED PLASTIC
 UL94-5VB FLAMMABILITY RATING

 CLEAR COVER _____ POLYCARBONATE PLASTIC
 UL94V-0 FLAMMABILITY RATING
 UV STABILIZED

OUTDOOR VERSION
 SOLID BODY & COVER _____ PBT/PC BLENDED PLASTIC
 UL94-5VA FLAMMABILITY RATING
 UV STABILIZED

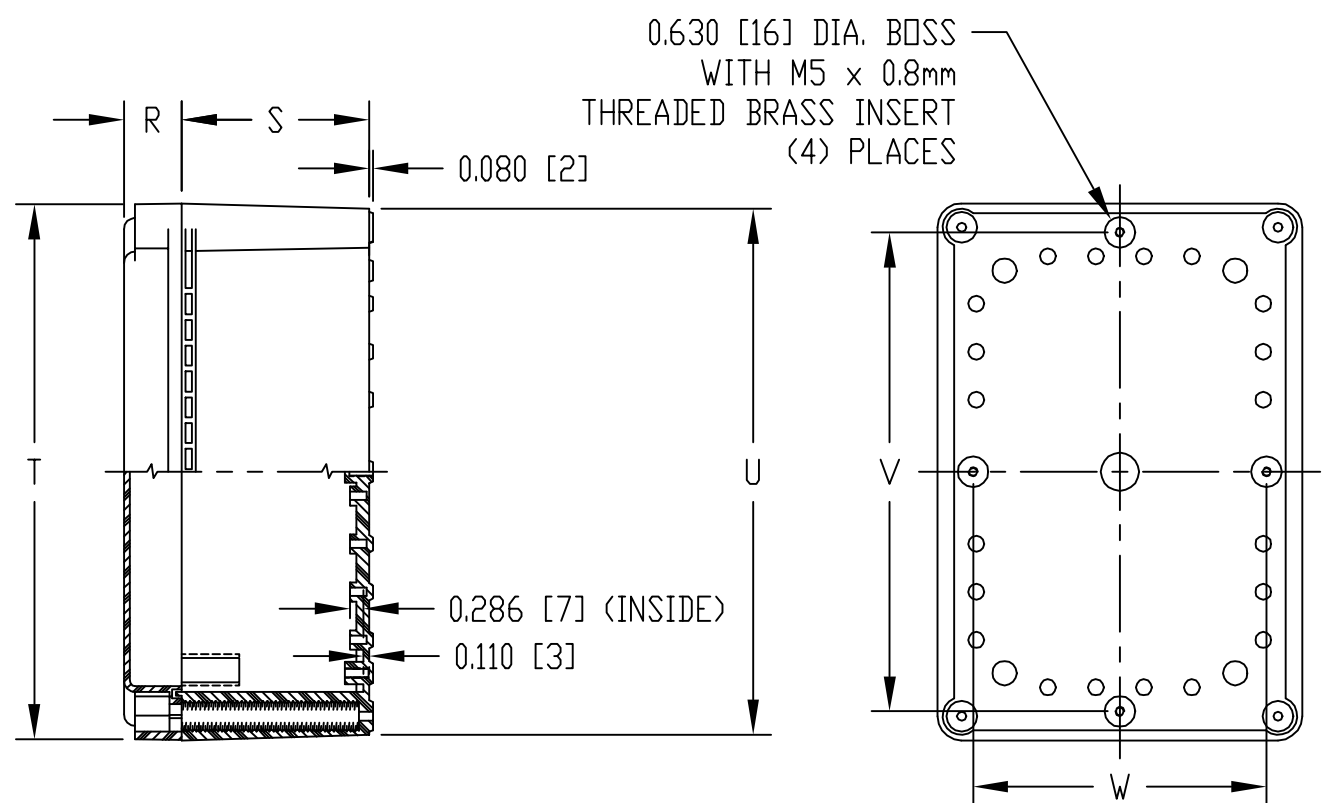
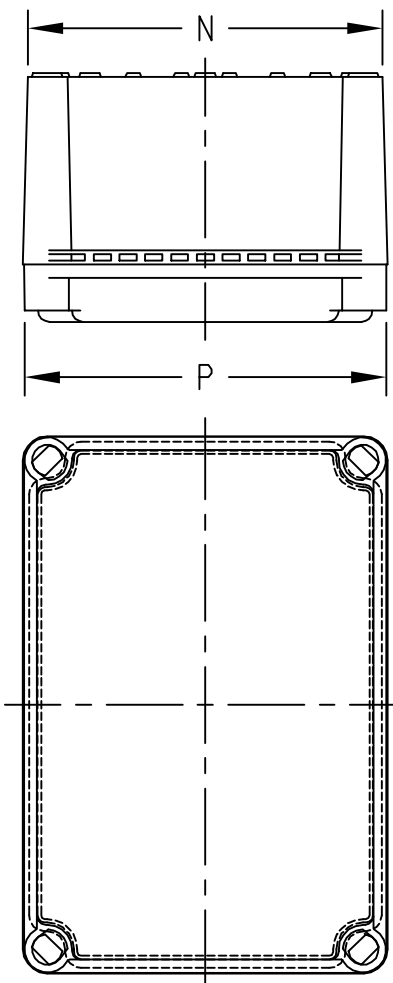
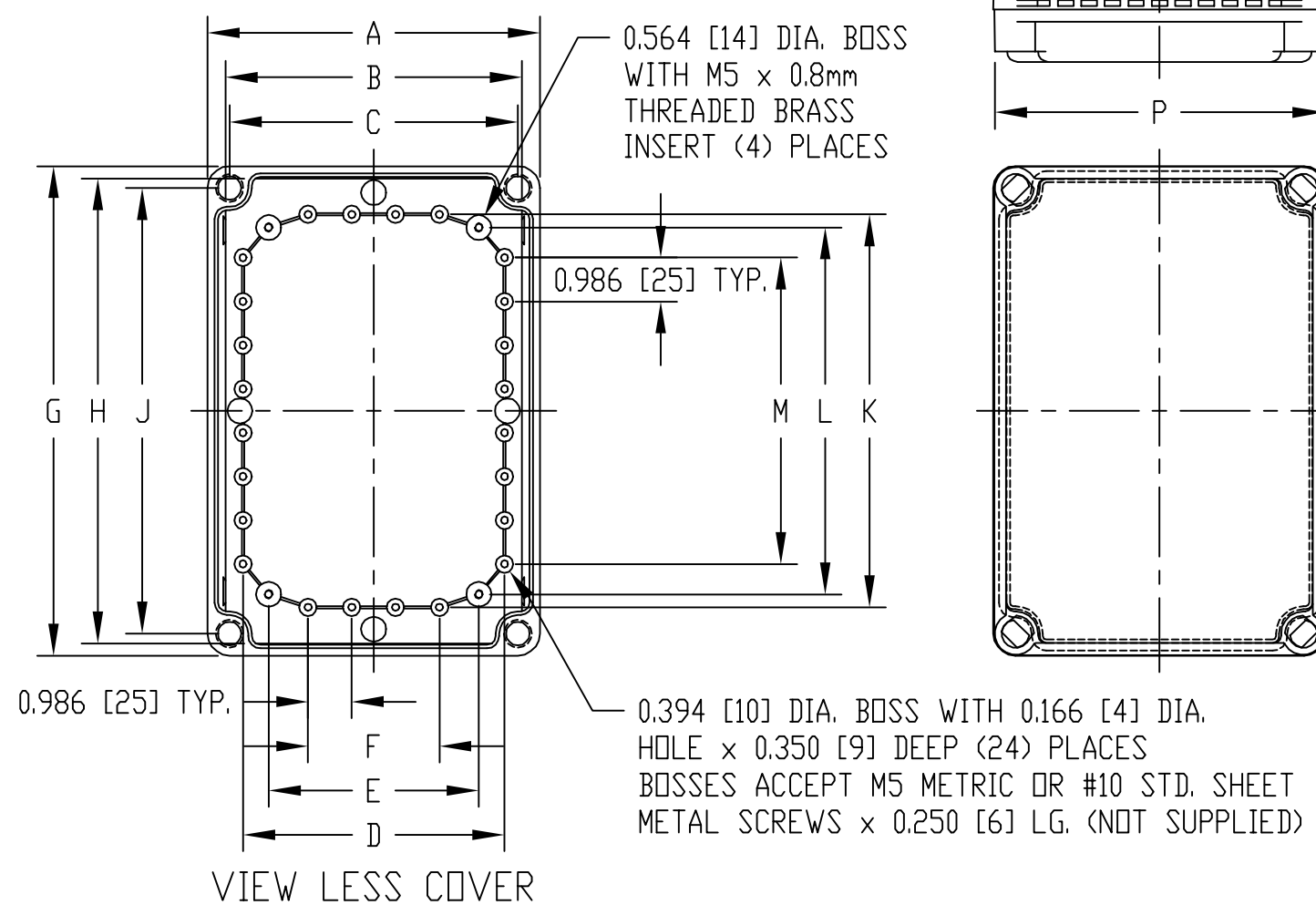
FINISH:
 BODY _____ LIGHT GRAY
 COVER _____ LIGHT GRAY OR CLEAR

 COVER INCLUDES GRAY POLYURETHANE GASKET.

INDUSTRY STANDARDS:
INDOOR VERSION
 UL508 TYPE 1, 2, 4, 4X INDOOR, 12 & 13
 NEMA TYPE 1, 2, 4, 4X, 12 & 13
 IEC529-IP65

OUTDOOR VERSION
 UL508 TYPE 1, 2, 4, 4X, 12 & 13
 NEMA TYPE 1, 2, 4, 4X, 12 & 13
 IEC529-IP65

NOTE: COVER ATTACHES WITH PHILLIPS DRIVE NON-METALLIC SCREWS. (NOT SHOWN)



AIR AND MOISTURE VENTS, STAINLESS STEEL LOCKING HASP, PANEL MOUNTING RAILS, GALVANIZED STEEL INNER PANEL AND STAINLESS STEEL WALL MOUNTING BRACKETS ARE NOT INCLUDED, BUT CAN BE PURCHASED SEPARATELY.

DIMENSIONS = INCHES
 [MILLIMETERS]

NOTE: ALL DIMENSIONS HAVE ±0.039 [±1] TOLERANCE UNLESS OTHERWISE SPECIFIED

INDOOR VERSION		OUTDOOR VERSION	DIMENSIONS																			
PART NO.		PART NO.	A	B	C	D	E	F	G	H	J	K	L	M	N	P	R	S	T	U	V	W
SOLID COVER	CLEAR COVER	SOLID COVER																				
NBD-10442	NBD-10462	NBD-15442	7.485 [190]	6.663 [169]	6.496 [165]	5.890 [150]	4.736 [120]	2.958 [75]	11.024 [280]	10.474 [266]	10.039 [255]	8.850 [225]	8.263 [210]	6.902 [175]	7.280 [185]	7.420 [188]	1.181 [30]	3.850 [98]	10.984 [279]	10.805 [274]	9.838 [250]	6.027 [153]

Mouser Electronics

Authorized Distributor

Click to View Pricing, Inventory, Delivery & Lifecycle Information:

Bud Industries:

[NBD-15442](#) [NBD-10442](#) [10462 - QT. 1617-04](#) [NBDSCREW](#)