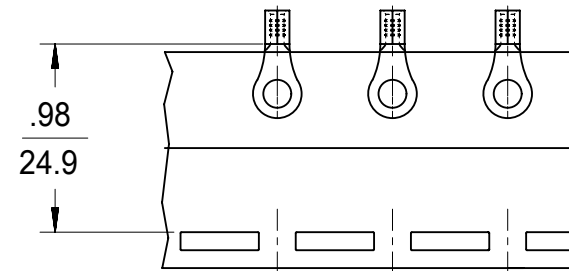
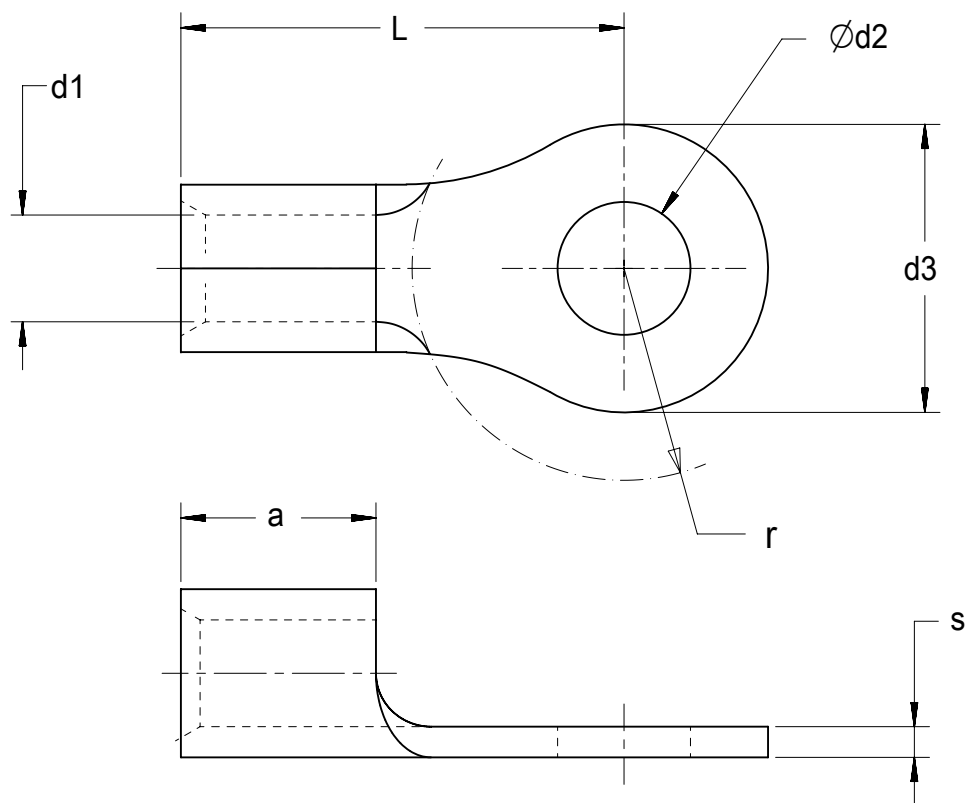


MATERIAL NUMBER	ENGINEERING PART NUMBER	MATERIAL NUMBER TAPE MOUNTED	ENGINEERING TAPE NUMBER	NOM WIRE SIZE AND RANGE (MM ²)	NOM BOLT SIZE (MM)	DIMENSIONS						
						a MIN	d1 MIN	d2 ±0,7	d3 ±0,25	L MAX	r MIN	s NOM
193230001	AA1-332-M2,5	193230207	AA1-332-M2,5T	1 (0,5 - 1)	2,5	4,25	1,6	2,77	6,45	11,5	4	0,71
193230002	AA1-332-M3	193230208	AA1-332-M3T	1 (0,5 - 1)	3	4,25	1,6	3,29	6,45	11,5	4,5	0,71
193230003	AA1-332-M3,5	193230209	AA1-332-M3,5T	1 (0,5 - 1)	3,5	4,25	1,6	3,79	6,45	11,5	4,5	0,71
193230004	AA1-321-M4	193230210	AA1-321-M4T	1 (0,5 - 1)	4	4,25	1,6	4,39	7,92	12,5	6	0,71
193230005	AA1-322-M5	193230211	AA1-322-M5T	1 (0,5 - 1)	5	4,25	1,6	5,39	11,86	15,2	6,5	0,71
193230006	BB2,5-323-M3	193230212	BB2,5-323-M3T	2,5 (1 - 2,5)	3	4,25	2,1	3,29	6,35	11,5	4,5	0,79
193230007	BB2,5-323-M3,5	193230213	BB2,5-323-M3,5T	2,5 (1 - 2,5)	3,5	4,25	2,1	3,79	6,35	11,5	4,5	0,79
193230008	BB2,5-337-M4	193230214	BB2,5-337-M4T	2,5 (1 - 2,5)	4	4,25	2,1	4,39	7,92	12,5	6	0,79
193230009	BB2,5-339-M5	193230215	BB2,5-339-M5T	2,5 (1 - 2,5)	5	4,25	2,1	5,39	8,69	14,5	6,5	0,79
193230010	BB2,5-325-M6	193230216	BB2,5-325-M6T	2,5 (1 - 2,5)	6	4,25	2,1	6,61	11,86	16,5	7,5	0,79
193230011	BB2,5-318-M8	193230217	BB2,5-318-M8T	2,5 (1 - 2,5)	8	4,25	2,1	8,51	13,56	19,0	10	0,79
193230118	C6-336-M3	193230219	C6-336-M3T	6 (2,5 - 6)	3	6,00	3,3	3,29	7,16	15,2	6	1,02
193230012	C6-336-M4	193230218	C6-336-M4T	6 (2,5 - 6)	4	6,00	3,3	4,39	7,16	15,2	6	1,02
193230013	C6-328-M5	193230220	C6-328-M5T	6 (2,5 - 6)	5	6,00	3,3	5,39	9,53	15,5	6,5	1,02
193230014	C6-330-M6	193230221	C6-330-M6T	6 (2,5 - 6)	6	6,00	3,3	6,61	13,46	17,4	7,5	1,02
193230015	C6-330-M8	193230222	C6-330-M8T	6 (2,5 - 6)	8	6,00	3,3	8,51	13,46	19,5	10	1,02
193230016	C6-340-M10	193230223	C6-340-M10T	6 (2,5 - 6)	10	6,00	3,3	10,63	14,94	21,5	12	1,02



PARTS ON TAPE

- NOTES:
1. MATERIAL: TIN-PLATED COPPER WITH BRAZED BARREL SEAM.
 2. PARTS ARE RoHS COMPLIANT.

SYMBOLS	THIS DRAWING CONTAINS INFORMATION THAT IS PROPRIETARY TO MOLEX ELECTRONIC TECHNOLOGIES, LLC AND SHOULD NOT BE USED WITHOUT WRITTEN PERMISSION	
	DIMENSION UNITS	SCALE
$\nabla = 0$	MM	1:1
$\nabla = 0$	GENERAL TOLERANCES (UNLESS SPECIFIED)	
$\nabla = 0$	MM	INCH
$\nabla = 0$	4 PLACES ±	±
$\nabla = 0$	3 PLACES ±	±
$\nabla = 0$	2 PLACES ±	0.13 ±
$\nabla = 0$	1 PLACE ±	0.25 ±
$\nabla = 0$	0 PLACES ±	±
$\square = 0$	ANGULAR TOL	± °
$\blacksquare = 0$	DRAFT WHERE APPLICABLE MUST REMAIN WITHIN DIMENSIONS	
$\nabla = 0$	THIRD ANGLE PROJECTION	DRAWING
	SERIES	19323
	MATERIAL NUMBER	SEE CHART
	CUSTOMER	GENERAL MARKET
	SHEET NUMBER	1 OF 1

CURRENT REV DESC: NEW TAPE PN ADDED

EC NO: 602131
DRWN: GROJAS01 2018/05/22
CHK'D: JMACNEIL 2018/07/30
APPR: JMACNEIL 2018/07/30

INITIAL REVISION:
DRWN: ETHRODAHL 2011/09/15
APPR: JMACNEIL 2012/12/11

DOCUMENT NUMBER: SD-19323-001
DOC TYPE: PSD
DOC PART: 001
REVISION: A

molex

METRIC RING TERMINALS
VERSAKRIMP 0,5 - 6 MM2

PRODUCT CUSTOMER DRAWING