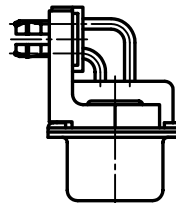
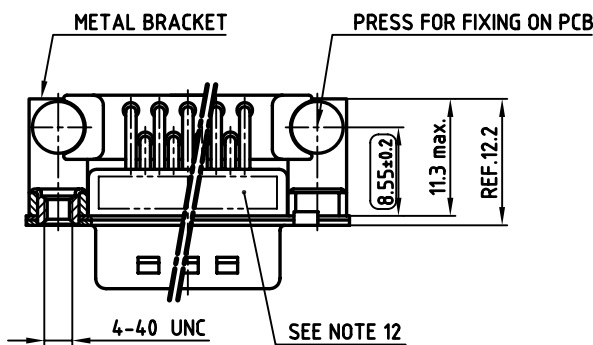
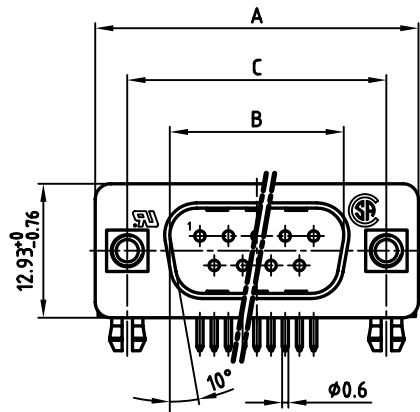
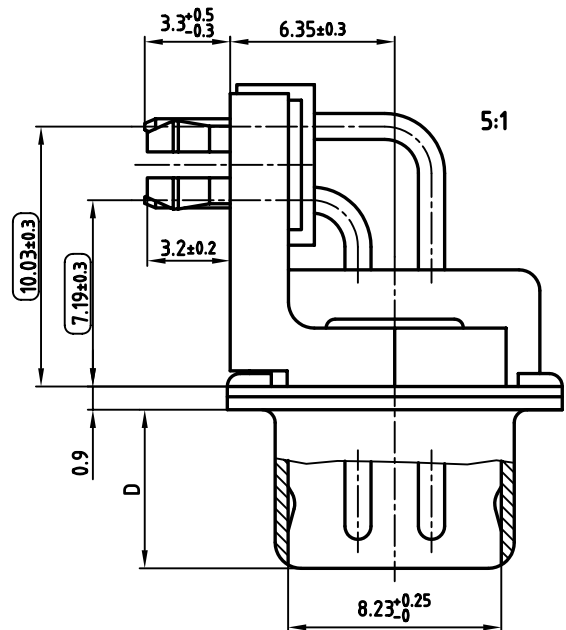


used for: D-SUB FILTER

POS.	A $-0.76$	B $+0.25$	C	D $-0.3$	Part NO.
9	31.19	16.79	25.00 $-0.12$ $-0.13$	6.12	241A16060X
15	39.52	25.12	33.30 $-0.15$ $-0.1$	6.12	241A16070X
25	53.42	38.84	47.04 $\pm 0.13$	5.99	241A16080X
37	69.70	55.30	63.50 $\pm 0.13$	5.99	241A16090X



**NOTES:**

- METALSHELLS: STEEL; min. 320 $\mu$ " TIN
- INSULATORS: PBT GF UL 94 V-0, BLACK
- CONTACTS: COPPER ALLOY  
PLATING: 8 $\mu$ " HARD GOLD OVER min. 50 $\mu$ " NICKEL
- METAL BRACKET: STEEL; min. 320 $\mu$ " TIN over 80 $\mu$ " NICKEL
- THREADED INSERT: COPPER ALLOY; min. 200 $\mu$ " TIN over 80 $\mu$ " NICKEL
- PCB-SNAP: COPPER ALLOY; min. 200 $\mu$ " TIN over 80 $\mu$ " NICKEL  
PCB-HOLE:  $\phi 3.1 \pm 0.1$ ; PCB THICKNESS 1.6mm
- FIXING-PLATE: PBT GF UL 94 V-0, BLACK
- P.C.B. HOLE DRILLINGS ON SHEET 2
- CAPACITANCE: 1300pF  $\pm 20\%$
- DIELECTRIC WITHSTANDING VOLTAGE: 424 VDC
- MAXIMUM TORQUE VALUE FOR THREAD: 6" LBS
- CONNECTOR IS PART MARKED: PART-NO. CONEC Y/WW
- = CHECK DIMENSION

Directive 2002/95/EC  
RoHS  
Compliant

APPROVAL # FREIGABE # DEBLOCAGE # AUTORIZACION # APPROVAL

CUSTOMER APPROVAL DATE:

NAME: TITLE:

COMPANY NAME:

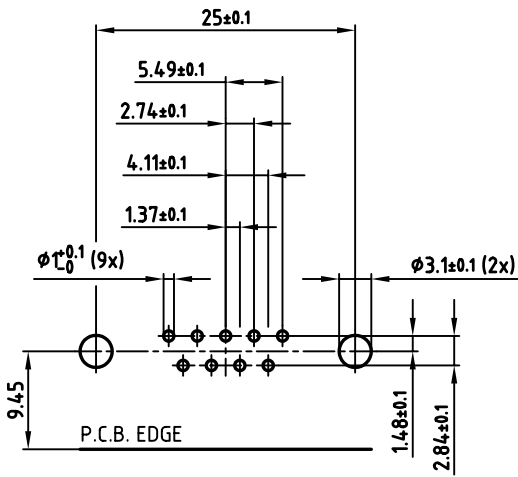
APPROVAL # FREIGABE # DEBLOCAGE # AUTORIZACION # APPROVAL

THIS DRAWING MAY NOT BE COPIED OR REPRODUCED IN ANY WAY, AND MAY NOT BE PASSED ON TO A THIRD PARTY, WITHOUT WRITTEN PERMISSION. OWNERSHIP AND COPYRIGHT OF CONEC GmbH DO NOT ALTER CAD DRAWING BY HAND

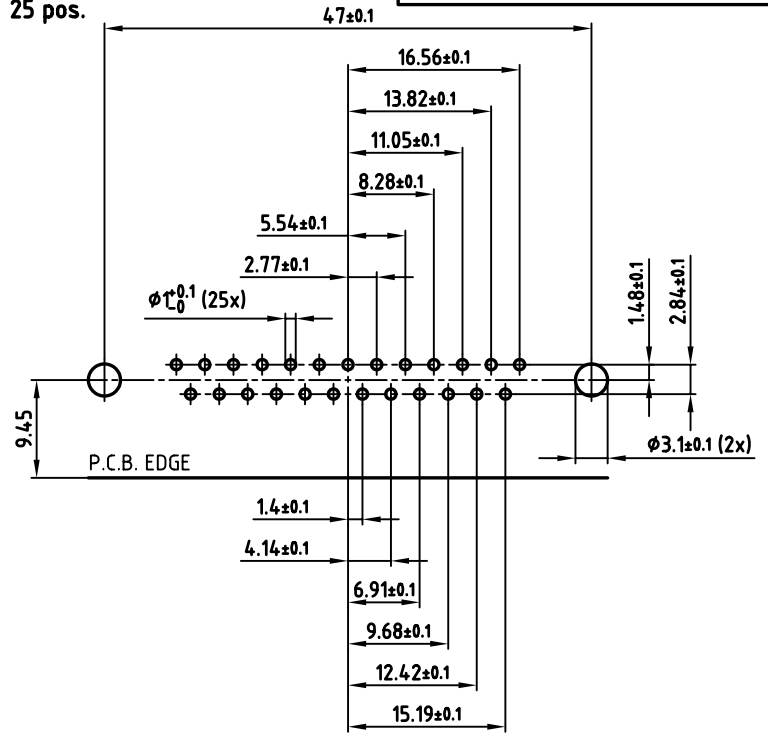
rev.	description	date	name

tolerance		scale:	2:1 (5:1)
	dim. in mm	material:	SEE NOTES
2004	date	name	title:
drawn	04.06.	Lehmenkühler	<b>D-SUB FILTER MALE 90°</b>
appd.	04.06.	Kühle	9-37pos. 0.318inch
norm	DIN 41652		threaded insert, metal bracket, fixing-plate, clip
d-old			dwg no: AutoCAD 2004
		24K1A542	
		part no: SEE TABLE	
		DIN-A 3 sh:1/2	

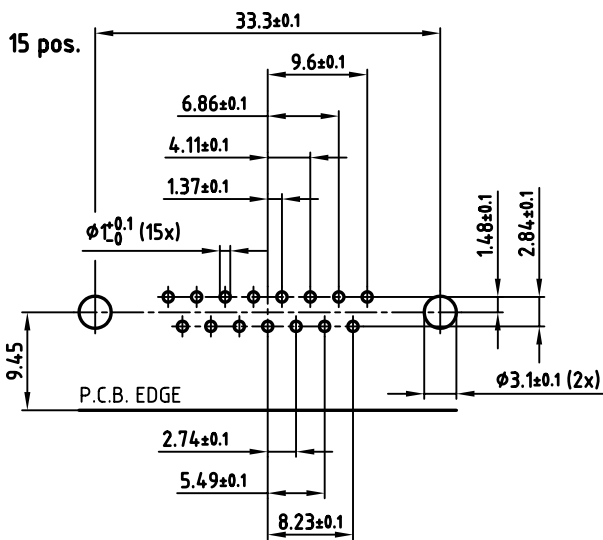
9 pos.



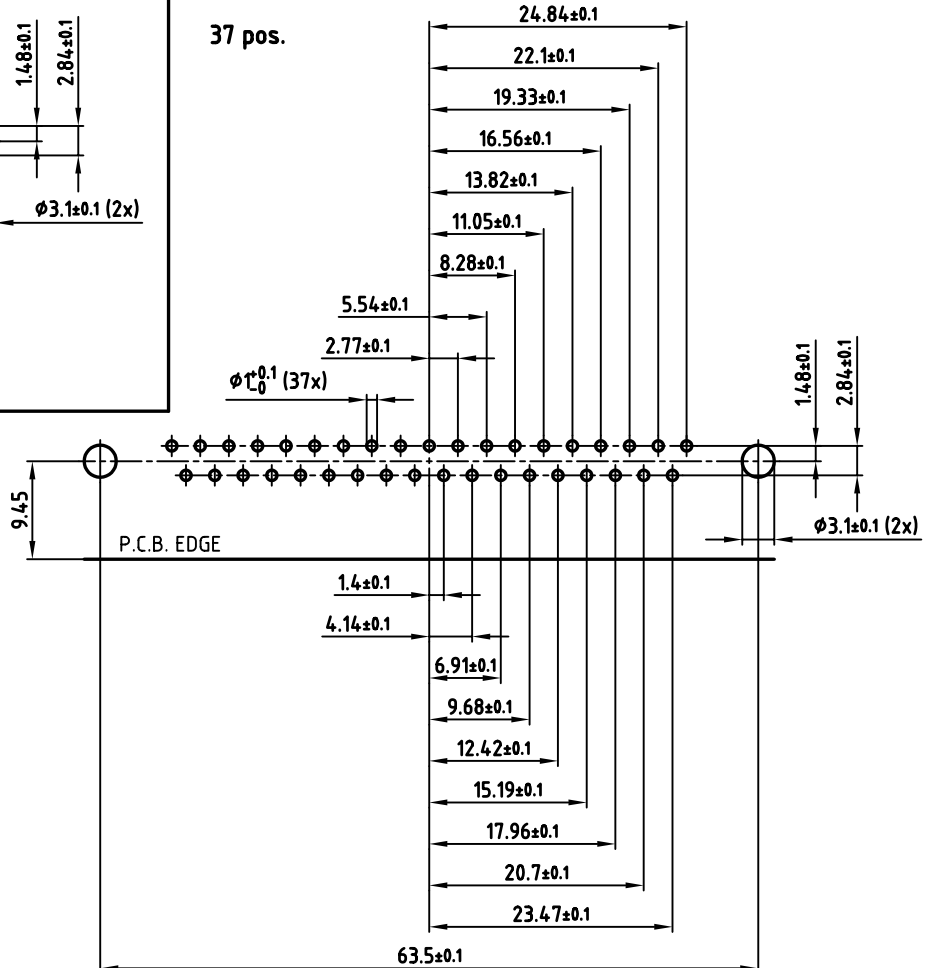
25 pos.



15 pos.



37 pos.



APPROVAL # FREIGABE # DEBLOCAGE # AUTORIZACION # APPROVAL

CUSTOMER APPROVAL DATE:

NAME: TITLE:

COMPANY NAME:

APPROVAL # FREIGABE # DEBLOCAGE # AUTORIZACION # APPROVAL

THIS DRAWING MAY NOT BE COPIED OR REPRODUCED IN ANY WAY, AND MAY NOT BE PASSED ON TO A THIRD PARTY, WITHOUT WRITTEN PERMISSION. OWNERSHIP AND COPYRIGHT OF CONEC GmbH DO NOT ALTER CAD DRAWING BY HAND

rev.	description	date	name

tolerance		scale:	2:1
dim. in mm		material:	SEE SHEET 1
2004	date	name	title:
drawn	04.06.	Lehmenkühler	P.C.B. HOLE DRILLINGS
appd.	04.06.	Kühle	D-SUB FILTER MALE 90° 9-37pos. 0.318inch threaded insert, metal bracket, fixing-plate, clip
norm	DIN 41652		dwg no:
d-old			AutoCAD 2004
			DIN-A
			3
part no:			SEE SHEET 1
			sh:2/2

2004	date	name	title:
drawn	04.06.	Lehmenkühler	P.C.B. HOLE DRILLINGS
appd.	04.06.	Kühle	D-SUB FILTER MALE 90° 9-37pos. 0.318inch threaded insert, metal bracket, fixing-plate, clip
norm	DIN 41652		dwg no:
d-old			AutoCAD 2004
			DIN-A
			3
part no:			SEE SHEET 1
			sh:2/2

# Mouser Electronics

Authorized Distributor

Click to View Pricing, Inventory, Delivery & Lifecycle Information:

[CONEC:](#)

[241A16080X](#)