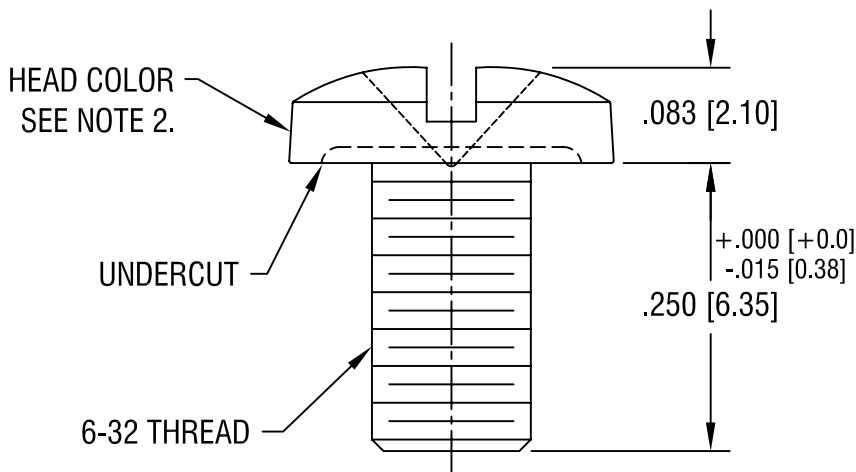
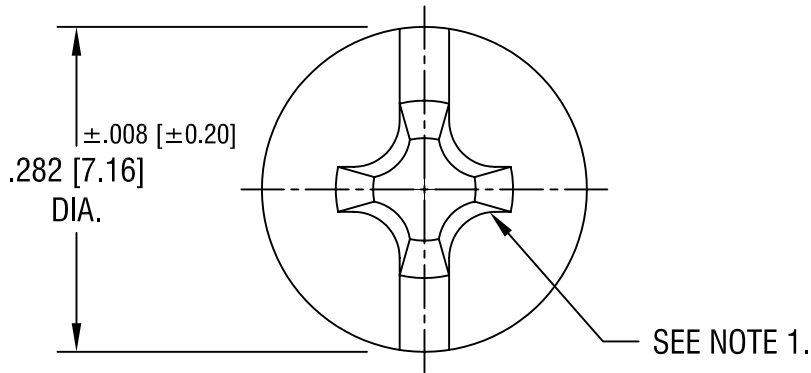


THIS DOCUMENT IS THE PROPERTY OF  
KEYSTONE ELECTRONICS CORP. AND  
SHALL NOT BE REPRODUCED, DISTRIBUTED  
OR USED AS A BASIS FOR MANUFACTURE  
WITHOUT PRIOR WRITTEN PERMISSION  
FROM KEYSTONE ELECTRONICS CORP.



| PART NO. | HEAD COLOR |
|----------|------------|
| 9190-2   | RED        |
| 9190-3   | BLACK      |
| 9190-4   | WHITE      |
| 9190-5   | BLUE       |
| 9190-6   | GREEN      |
| 9190-7   | YELLOW     |

**NOTE:**

1. TO ACCEPT STANDARD SLOT OR PHILLIPS DRIVE.
2. HEAD OF SCREW IS POWDER COATED WITH COLOR AS INDICATED IN CHART.

**KEYSTONE ELECTRONICS CORP.**  
ASTORIA, N.Y. 11105-2017

PART NAME  
**COMBINATION BINDING HEAD SCREW**

MATERIAL  
**BRASS**

|                               |                        |                        |
|-------------------------------|------------------------|------------------------|
| FINISH<br><b>NICKEL PLATE</b> | DRN BY<br><b>BOONE</b> | DATE<br><b>10.8.03</b> |
|                               | APP'D<br><b>LN</b>     | SCALE<br><b>6X</b>     |

|        |                          |   |
|--------|--------------------------|---|
| 1.3.08 | CHANGE AS PER ECN 08-019 | A |
|--------|--------------------------|---|

|                            |                           |      |                        |
|----------------------------|---------------------------|------|------------------------|
| TOLERANCES                 | INCH [MM]                 | CODE | DWG NO.                |
| DECIMAL                    | $\pm .005$ [ $\pm 0.15$ ] | C    | <b>9190-2 - 9190-7</b> |
| ANGULAR                    | $\pm 1^\circ$             |      |                        |
| UNLESS OTHERWISE SPECIFIED |                           |      |                        |

| DATE | DESCRIPTION | REV. |
|------|-------------|------|
|      |             |      |

# Mouser Electronics

Authorized Distributor

Click to View Pricing, Inventory, Delivery & Lifecycle Information:

[Keystone Electronics:](#)

[9190-7](#)