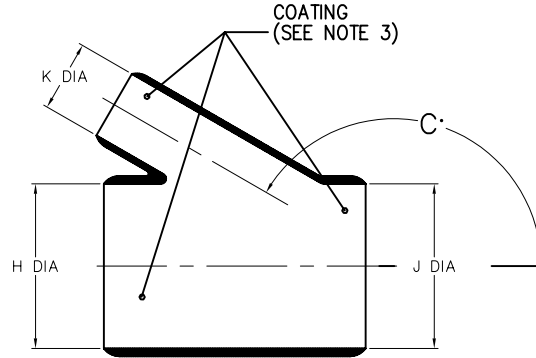
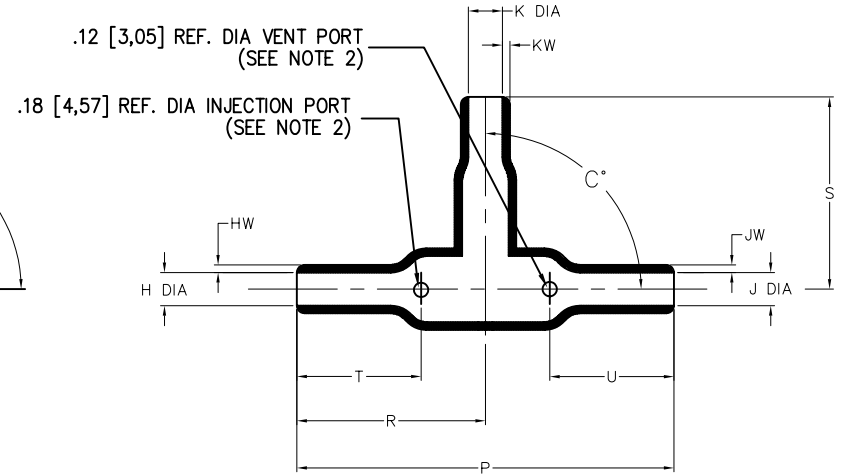


NOTES

1. ALL DIMENSIONS ARE IN $\frac{\text{INCHES}}{[\text{MILLIMETERS}]}$
2. DIMENSIONS APPEARING IN TABLE ARE AS FOLLOWS:
 - a - AS SUPPLIED
 - b - AFTER UNRESTRICTED RECOVERY
3. COATING (ADHESIVE) IS OPTIONAL. AS SUPPLIED DIMENSIONS APPEARING IN TABLE ARE FOR UNCOATED PARTS. WHEN COATING IS ADDED, ENTRY DIAMETERS WILL BE REDUCED BY .06 MAX.
4. MOLDING PORTS ARE OPTIONAL. WHEN -00 MODIFICATION NUMBER IS SPECIFIED MOLDING PORTS WILL BE LOCATED AS SHOWN.



AS SUPPLIED



AFTER UNRESTRICTED RECOVERY

REVISIONS		
LTR	DESCRIPTION	DATE
A	ECO-08-009707	04/17/2008

TABLE OF DIMENSIONS

PART DESCRIPTION	H & J		K		P	R	S	T	U	HW&JW	KW	C°	
	MIN	MAX	MIN	MAX	±10%	±10%	±10%	±10%	±10%	±20%	±20%	±10%	±5%
	a	b	a	b	b	b	b	b	b	b	b	a	b
322A434	$\frac{1.20}{[30,4]}$	$\frac{.60}{[15,3]}$	$\frac{.80}{[20,3]}$	$\frac{.40}{[10,2]}$	$\frac{3.25}{[82,6]}$	$\frac{1.62}{[41,1]}$	$\frac{1.50}{[38,1]}$	$\frac{1.23}{[31,2]}$	$\frac{1.23}{[31,2]}$	$\frac{.10}{[2,54]}$	$\frac{.077}{[1,96]}$	165	90

CUSTOMER DRAWING

UNLESS OTHERWISE SPECIFIED DIMENSIONS ARE INCHES. METRIC DIMENSIONS ARE IN BRACKETS.	DRAWN	DATE	Raychem Molded Parts 305 Constitution Dr Menlo Park, CA 94025
	UNGUYEN	04/17/2008	
DECIMAL TOLERANCES	RPN	TITLE	
.XXX ± 0.005 [0.13 mm]	THIRD ANGLE PROJECTION	TRANSITION, 90 DEGREE, SIDE BREAKOUT, THINWALL	
.XX ± 0.01 [0.25 mm]		SIZE	CODE IDENT. NO.
.X ± 0.1 [0.50 mm]		B	06090
ANGLE TOLERANCE	DWG. NO.		
.X ± 1 DEG.	322A434		
© 2008 Tyco Electronics Corporation. All rights reserved.			DO NOT SCALE THIS DRAWING
			SHEET 1 DF 2

If this document is printed it becomes uncontrolled. Check for the latest revision

4

3

2

1

D

D

COMPATIBILITY CHART					
MATERIAL DASH NO.	MATERIAL DESCRIPTION	RT SPEC	COATING SLASH NO.	COATING SPEC	COATING DESCRIPTION
-3	POLYOLEFIN, SEMI-RIGID	RT-301	/42; /86	S-1017; S-1048	ADHESIVE
-4	POLYOLEFIN, FLEXIBLE	RT-1304	/164, /86	S-1017; S-1048	ADHESIVE
-5	ELASTOMER, FLEXIBLE	RT-501	/42,	S-1017	ADHESIVE
-6	SILICONE	RT-602	N/A		
-12	FLUOROELASTOMER	RT-1312	N/A		
-25	ELASTOMER, FLUID RESISTANT	RT-1325	/86	S-1048	ADHESIVE
-100	POLYOLEFIN, SEMI-FLEXIBLE ZEROHAL	RT-1323	/86; /180	S-1048; S-1030	ADHESIVE

C

C

D

D

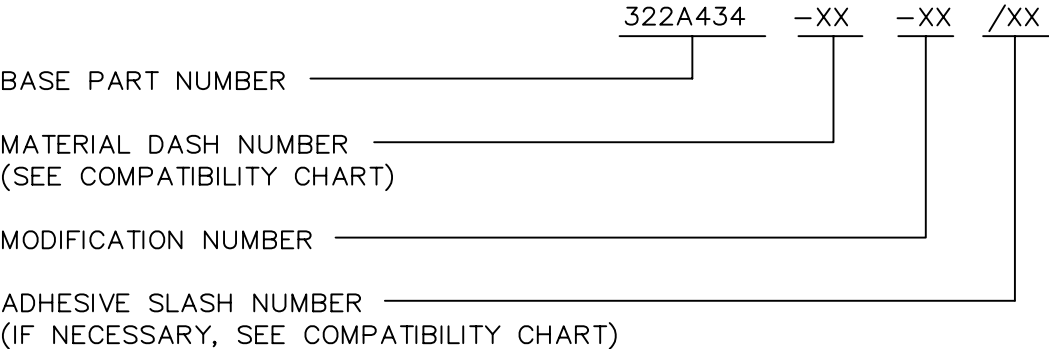
B

B

A

A

ORDERING INFORMATION



CUSTOMER DRAWING

If this document is printed it becomes uncontrolled. Check for the latest revision

SIZE	DWG. NO.	REV	DWG. NO.	322A434
B	06090	A		
DO NOT SCALE THIS DRAWING				SHEET 2 OF 2

4

3

2

1

Mouser Electronics

Authorized Distributor

Click to View Pricing, Inventory, Delivery & Lifecycle Information:

[TE Connectivity:](#)

[322A434-25-0](#)