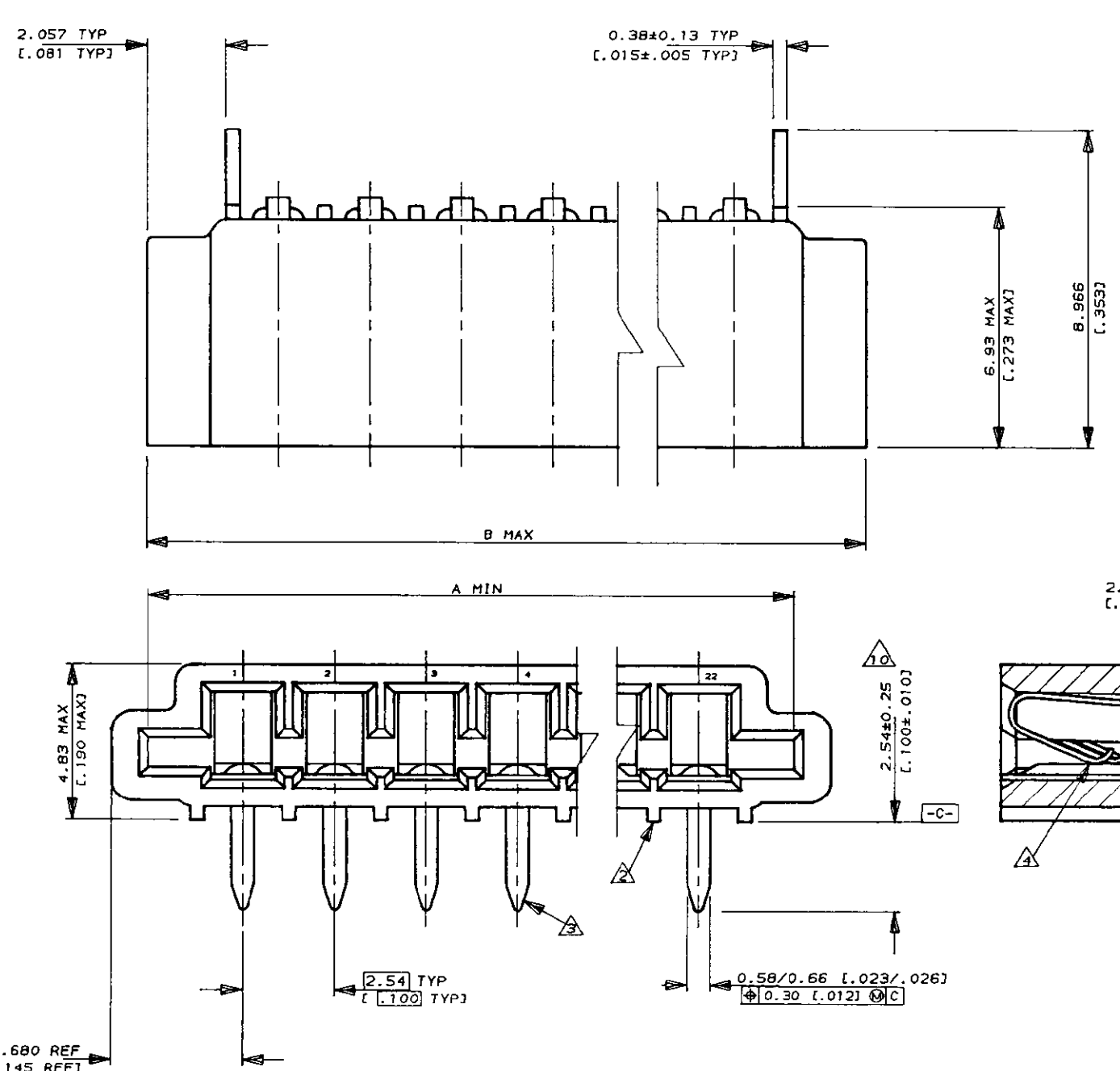


NUMBER 520314
 METRIC
 DIMENSIONS IN MM (INCHES). DO NOT SCALE PRINT
 PRINT DIST



- NOTES**
- CONNECTOR WILL ACCEPT FLEXIBLE PRINTED CIRCUIT OR FLAT FLEXIBLE CABLE ON 2.54 [0.100] CENTERS IN A THICKNESS RANGE OF 0.127 TO 0.381 [0.005 TO 0.015] IN CONTACT AREA
 - STAND-OFFS PREVENT SOLVENT ENTRAPMENT
 - LEAD-IN ON PINS FOR EASE OF INSERTION INTO BOARD
 - SEQUENTIAL CONTACTS REDUCE CABLE INSERTION FORCE
 - STABILIZING WING MAY BE REMOVED BY CUSTOMER IF NECESSARY
 - ALTERNATING CONTACT FORM RETAINS CONNECTOR IN P.C. BOARD DURING SOLDER OPERATION
 - ACCEPTS CABLE OR CIRCUITRY WITH EXPOSED CONDUCTORS FACING TOWARD OR AWAY FROM THE BOARD SURFACE
 - REFER TO APPLICATION SPEC 114-2062
 - MATERIAL
HOUSING : GLASS REINFORCED POLYESTER
THERMOPLASTIC UL 94 VO RATED, BLACK
CONTACT : PHOS BRONZE WITH MATTE TIN FINISH.
 - AREA INDICATED SHALL MEET SOLDERABILITY SPEC 109-11-1
 - OBsolete PARTS: OBsolete CIS STREAMLINING PER D.RENAUD/D.SINISI

LEAD FREE				SUPERSEDED		
OBsolete	Part No	Packing	B	A	POS	Part No
520314-2	60.78 [2.393]	58.62 [2.308]	22	2-520314-2		2-520314-2
520314-1	58.24 [2.293]	56.08 [2.208]	21	2-520314-1		2-520314-1
520314-0	55.70 [2.193]	53.54 [2.108]	20	2-520314-0		2-520314-0
6-520314-9	53.16 [2.093]	51.00 [2.008]	19	1-520314-9		1-520314-9
520314-8	50.62 [1.993]	48.46 [1.908]	18	1-520314-8		1-520314-8
6-520314-7	48.08 [1.893]	45.92 [1.808]	17	1-520314-7		1-520314-7
6-520314-6	45.54 [1.793]	43.38 [1.708]	16	1-520314-6		1-520314-6
6-520314-5	43.00 [1.693]	40.84 [1.608]	15	1-520314-5		1-520314-5
520314-4	40.46 [1.593]	38.30 [1.508]	14	1-520314-4		1-520314-4
6-520314-3	37.92 [1.493]	35.76 [1.408]	13	1-520314-3		1-520314-3
6-520314-2	35.38 [1.393]	33.22 [1.308]	12	1-520314-2		1-520314-2
6-520314-1	32.84 [1.293]	30.68 [1.208]	11	1-520314-1		1-520314-1
6-520314-0	30.30 [1.193]	28.14 [1.108]	10	1-520314-0		1-520314-0
5-520314-9	27.76 [1.093]	25.60 [1.008]	9	520314-9		520314-9
5-520314-8	25.22 [0.993]	23.06 [0.908]	8	520314-8		520314-8
5-520314-7	22.68 [0.893]	20.52 [0.808]	7	520314-7		520314-7
5-520314-6	20.14 [0.793]	17.98 [0.708]	6	520314-6		520314-6
5-520314-5	17.60 [0.693]	15.44 [0.608]	5	520314-5		520314-5
5-520314-4	15.06 [0.593]	12.90 [0.508]	4	520314-4		520314-4
520314-3	12.52 [0.493]	10.36 [0.408]	3	520314-3		520314-3
5-520314-2	9.98 [0.393]	7.82 [0.308]	2	520314-2		520314-2

S3 ECR-10-022530 KK HMR 07FEB11				Copyright ©1993		Copyright ©1993		TE Connectivity	
S2 ECO-10-000445 KK AEG 11JAN10				TE MFG (S) PTE LTD.		ALL RIGHTS RESERVED.			
S1 REVISED AS PER ECR-06-04332 PM KS 21FEB06				(WIRE RANGE)	(INSULATION DIA.)	(NAME)			
S REVISED FRO00-0011-04 SD PCH 19FEB04				mm ² (AWG -)	mmØ	TRIOMATE HORIZONTAL CABLE ENTRY			
R REVISED DY/EC/0920 LWY SL 13.12.93				(MATERIAL)	(FINISH) CONTACTS	FOR 1.57 [0.062] THK P.C. BOARD			
Q REDRAWN DY/EC/0784 LWY SL 30.7.93				DR. WYLEE 30.7.93	DE. A.SOH	(GENERAL TOLERANCE)	SIZE LOC	(No.)	
LTR (REVISION RECORD) DR CHK DATE				CHK. SALLY 30.7.93	APP. PETER de JONG	±.38	A3 DY	520314	
						[±.015]	(SCALE)	REV.	SHEET
						6:1	S3	1 OF 1	

(CUSTOMER DRAWING)

Mouser Electronics

Authorized Distributor

Click to View Pricing, Inventory, Delivery & Lifecycle Information:

[TE Connectivity:](#)

[5-520314-5](#)