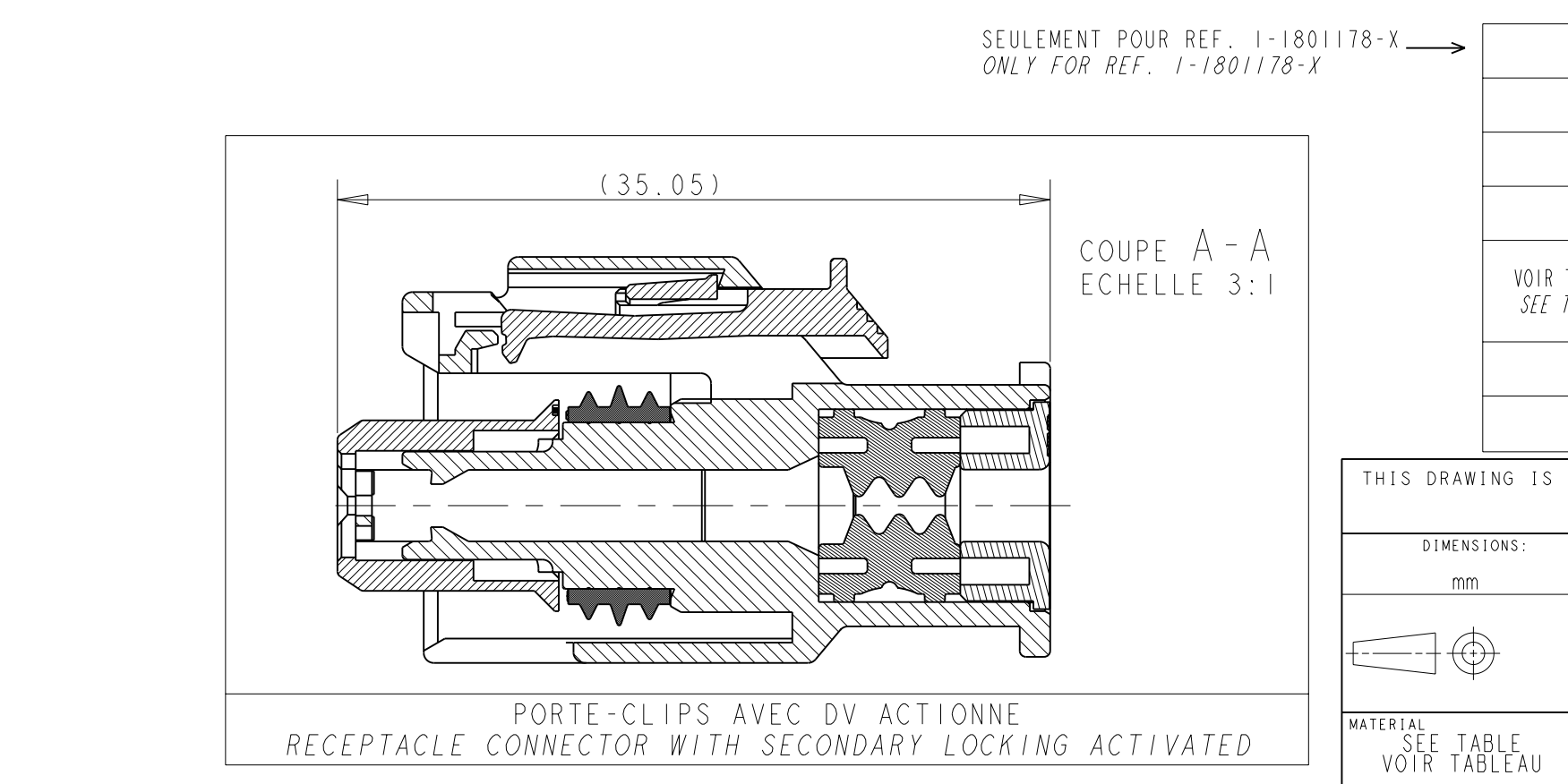
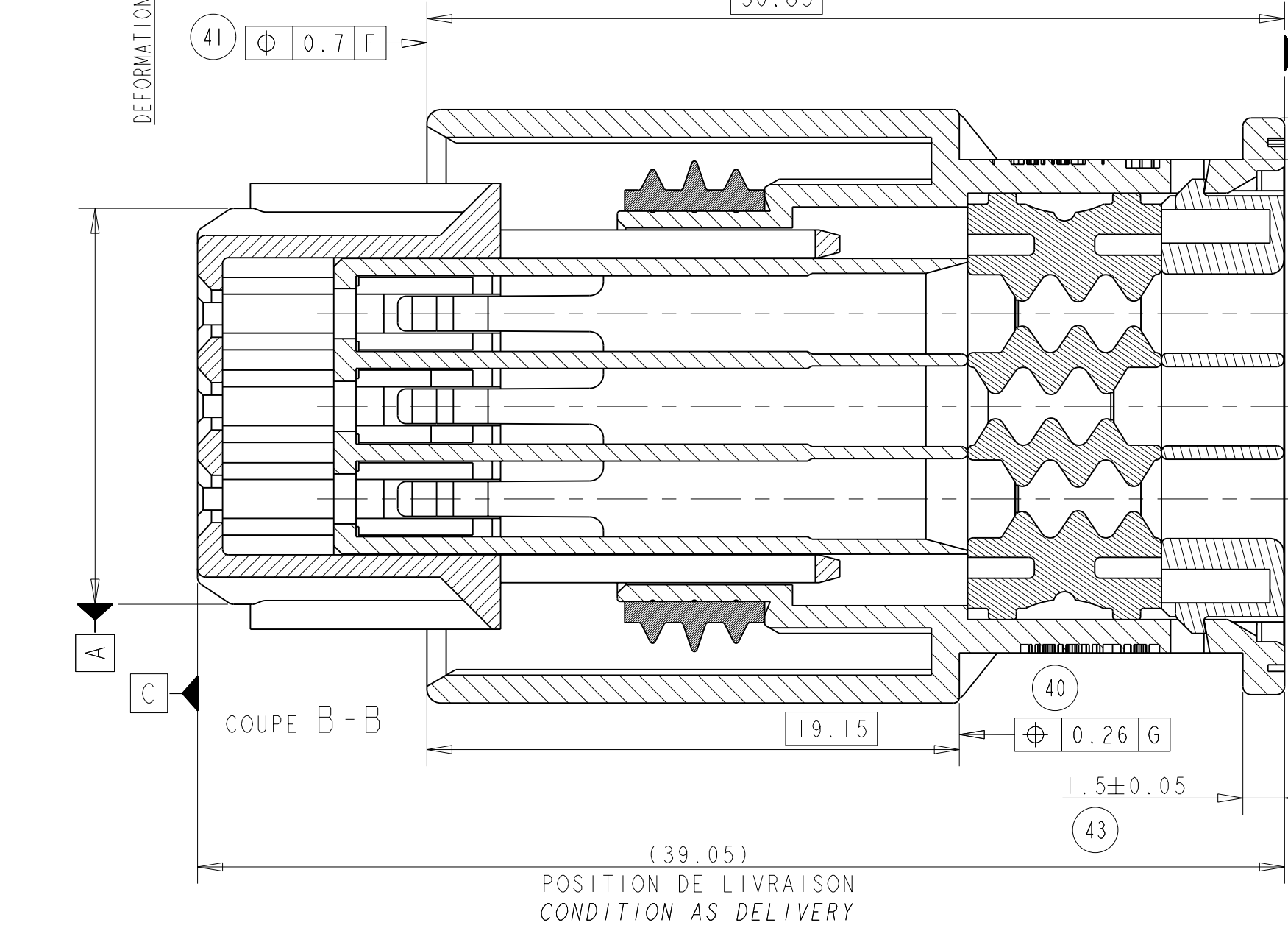
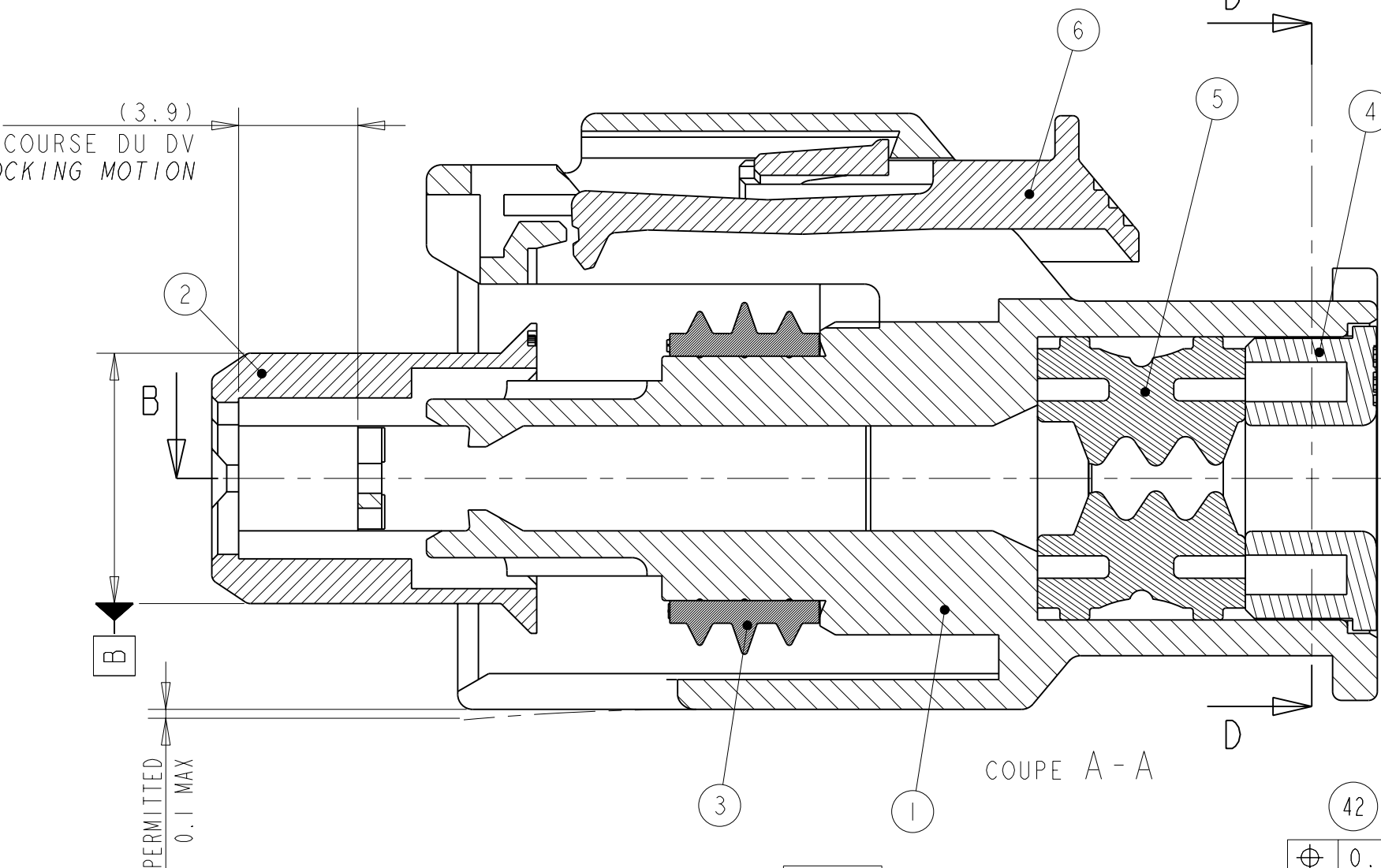
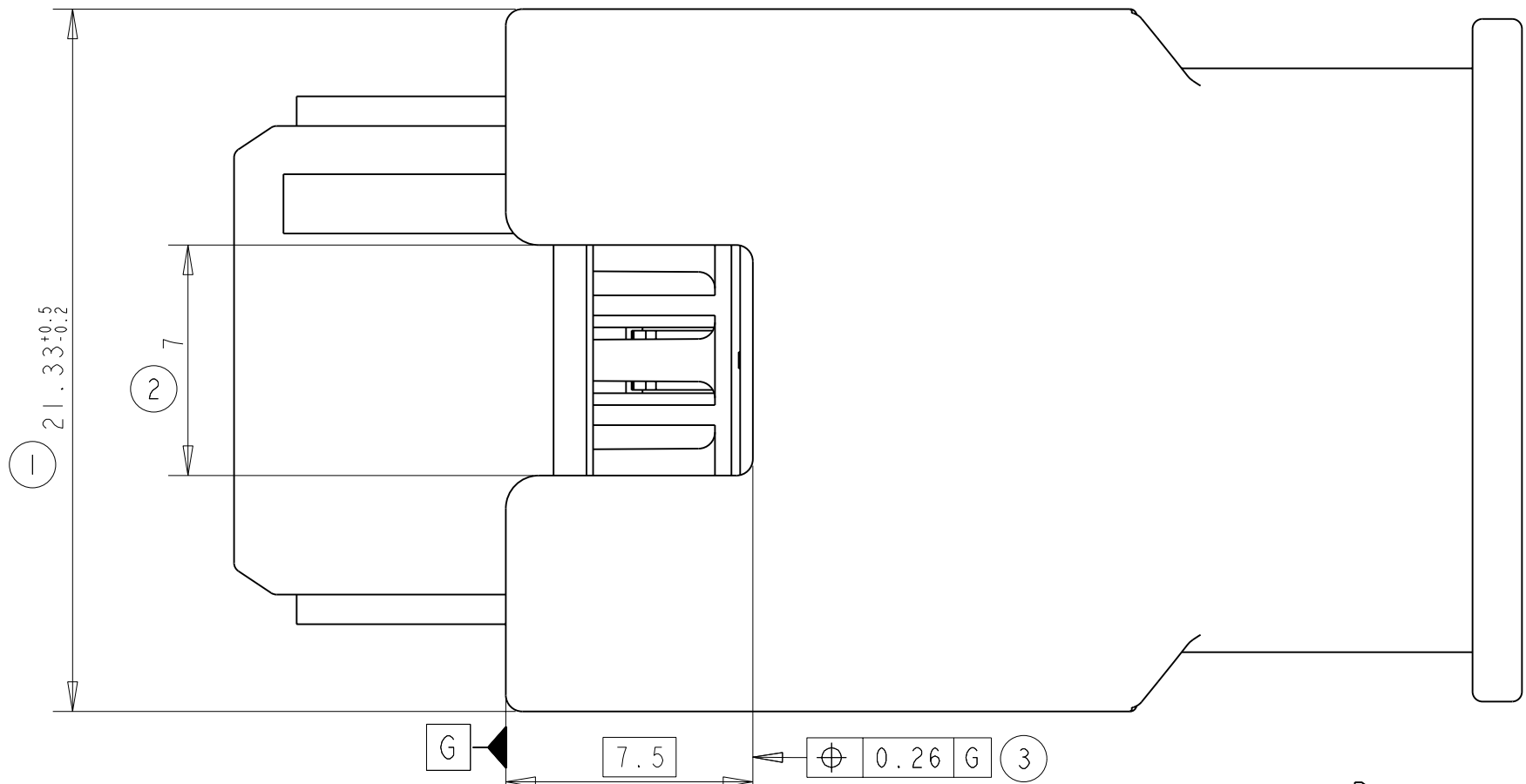
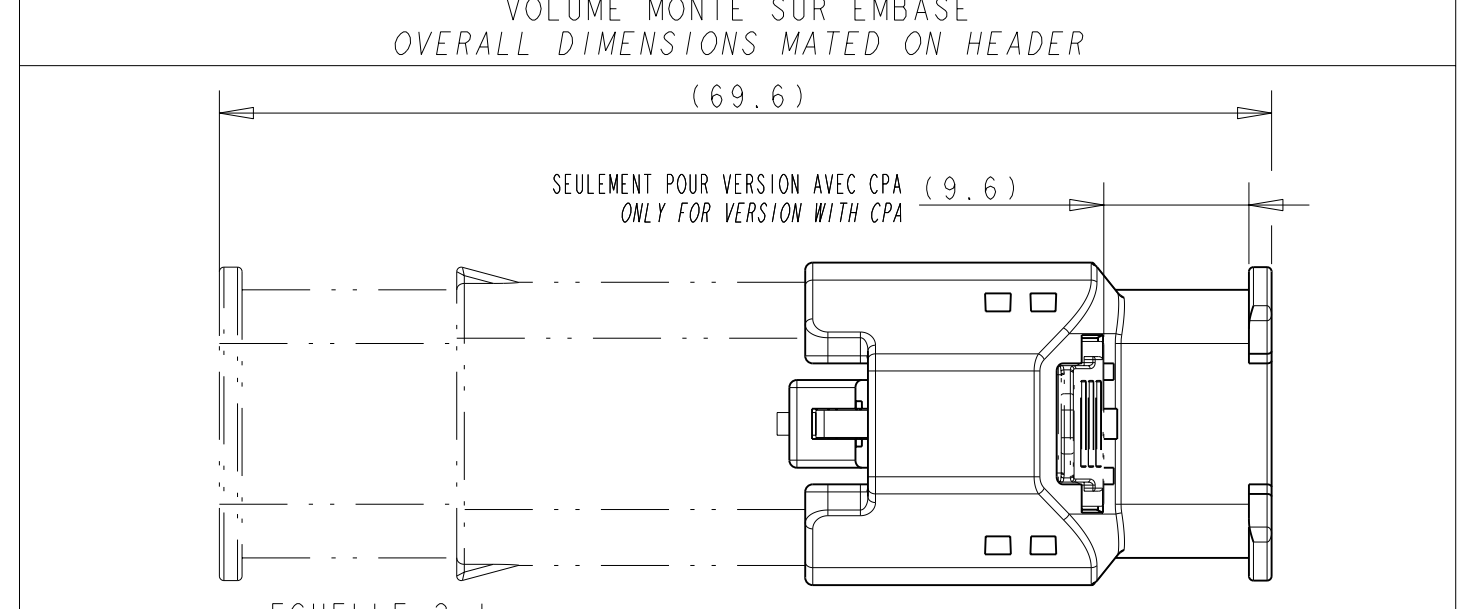
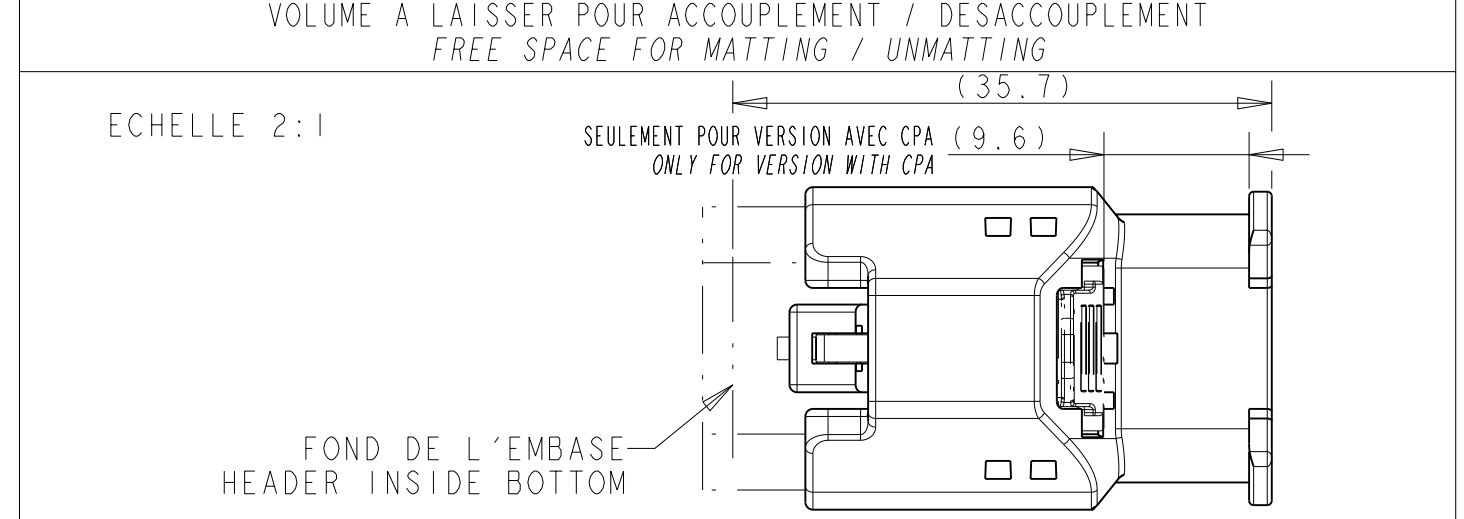
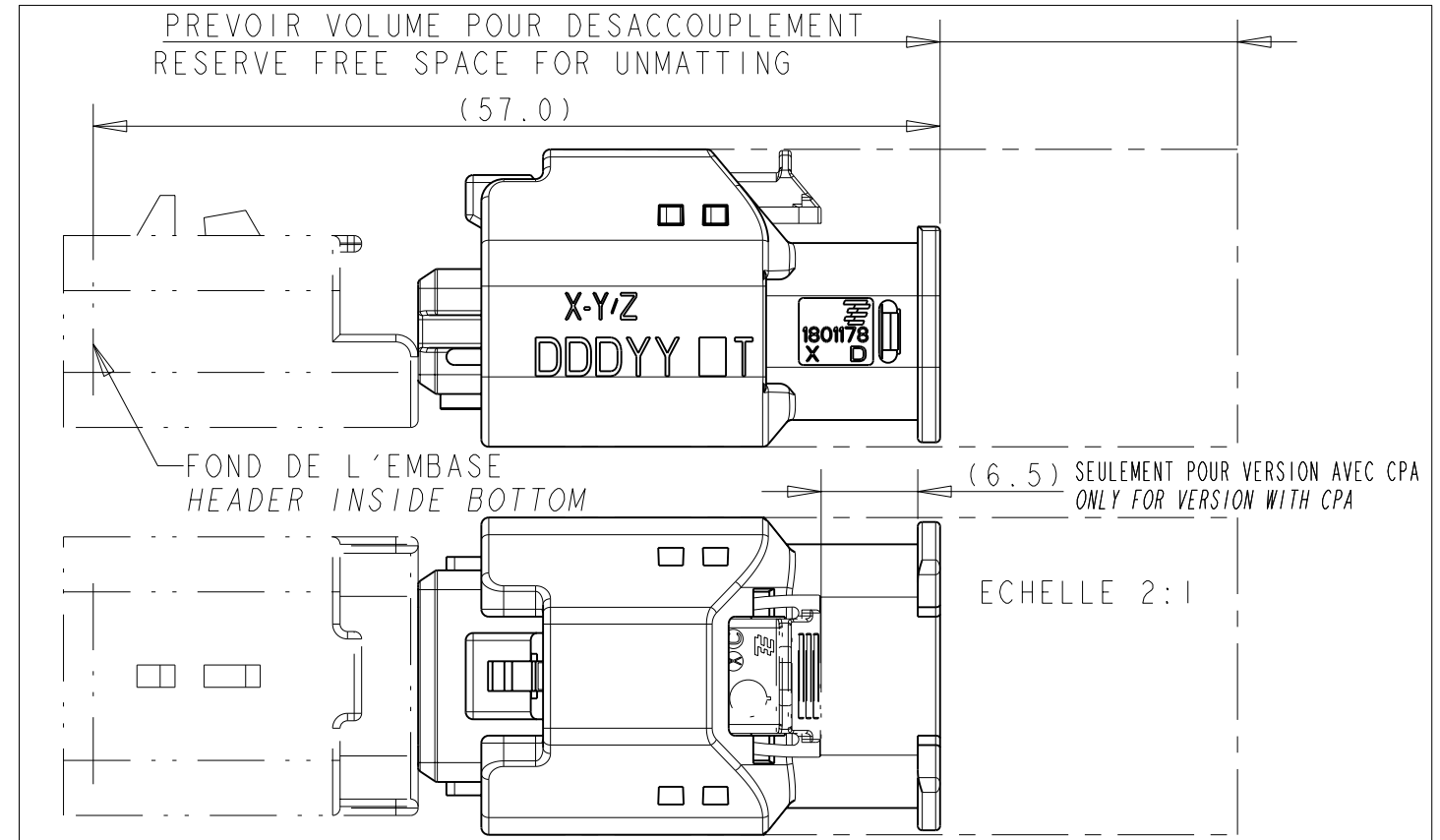
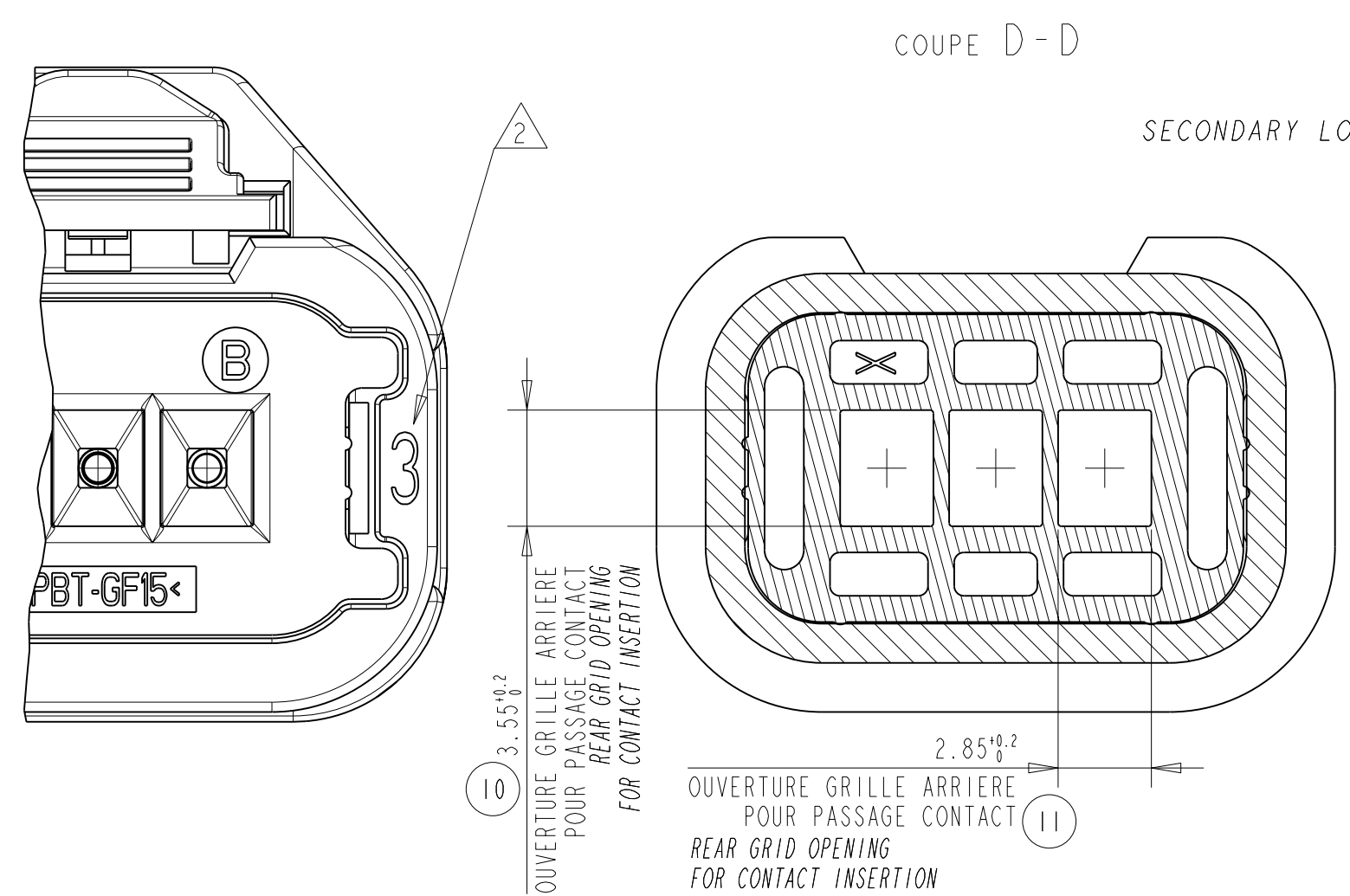
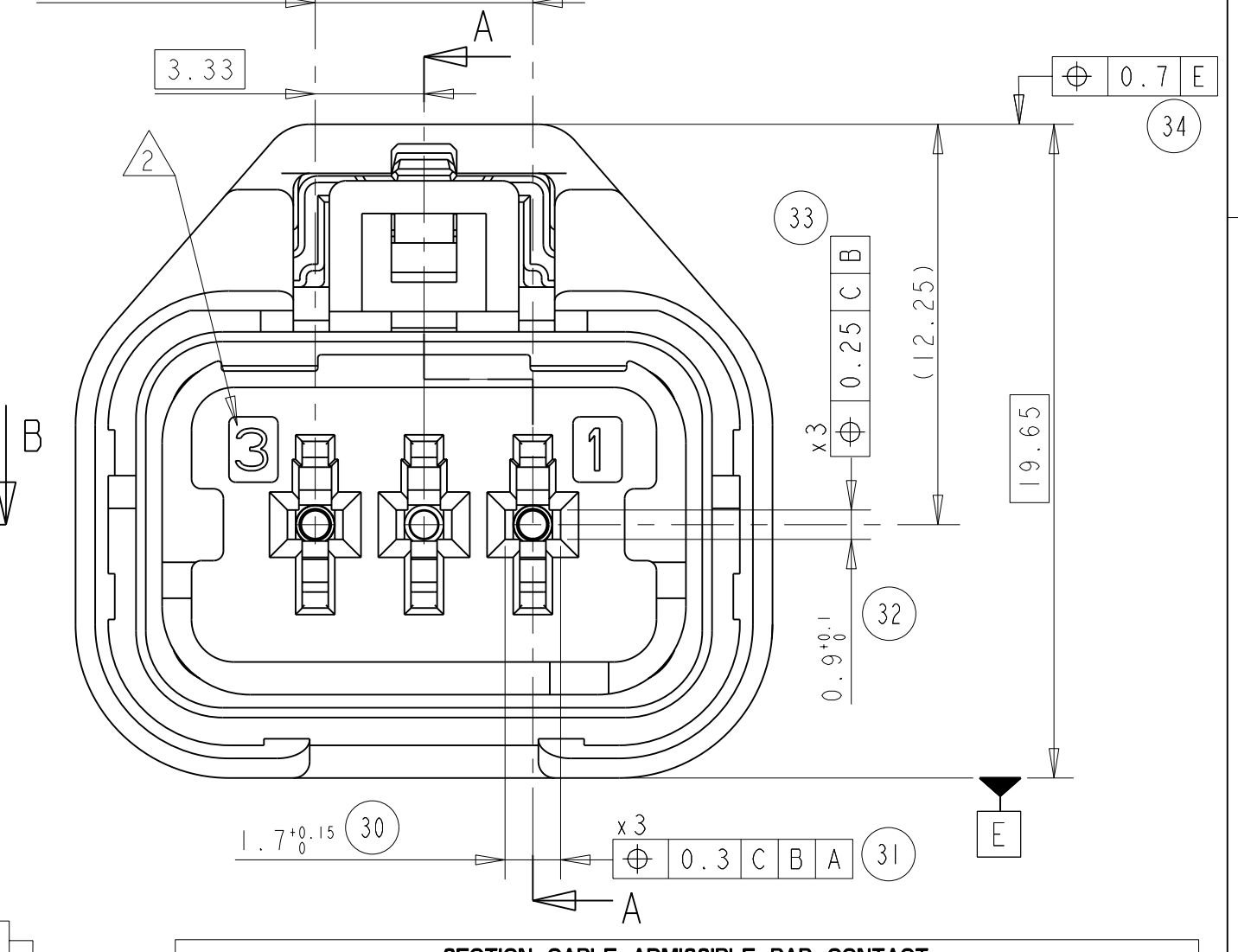
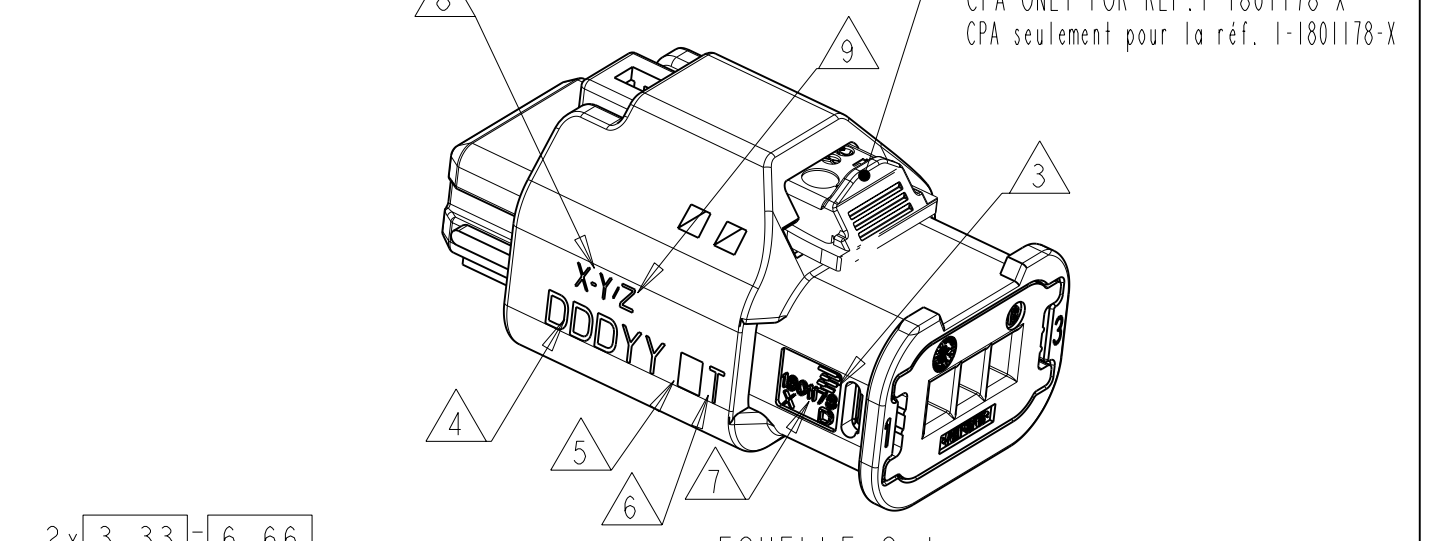


SANS CPA WITHOUT CPA		AVEC CPA WITH CPA		COULEUR COLOR	TOLERANCE POUR DETROMPAGE: ±0.05 KEYING TOLERANCE
REF TE TE NO	INDICE DE REVISION REVISION NUMBER	REF TE TE NO	INDICE DE REVISION REVISION NUMBER		
1801178-1	E	1-1801178-1	F	NOIR BLACK	
1801178-2	E	1-1801178-2	F	BLEU BLUE	
1801178-3	E	1-1801178-3	F	GRIS GREY	
1801178-4	E	1-1801178-4	F	JAUNE YELLOW	
1801178-5	E	1-1801178-5	F	VERT GREEN	
1801178-6	E	1-1801178-6	F	MARRON BROWN	
1801178-7	E	1-1801178-7	F	BLANC WHITE	
1801178-8	E	1-1801178-8	F	ROUGE RED	
1801178-9	E	1-1801178-9	F	ORANGE ORANGE	

- NOTES/NOTES:
- 1- 1-1801178-1 REPRESENTE (COD. NOIR) / AS SHOWN (COD. BLACK)
 - 2 REPERE ALVEOLES / CAVITY MARKING
 - 3 LOGO TE / TE LOGO
 - 4 DATE D'ASSEMBLAGE / ASSEMBLY DATE
 - 5 CODE DU LIEU D'ASSEMBLAGE / ASSEMBLY LOCATION DATE
- E = EUROPE / EUROPE
C = CHINE / CHINA
M = MERCOSUR / MERCOSUR
- 6 NUMERO DE LA MACHINE D'ASSEMBLAGE / NUMBER ASSEMBLY LINE
 - 7 REF TE DE L'ASSEMBLAGE (RACINE) / TE ASSEMBLY NO (RACINE)
 - 8 REF TE DE L'ASSEMBLAGE (SUFFIXE) / TE ASSEMBLY NO (SUFFIX)
 - 9 INDICE DE REVISION PRODUIT / PRODUCT REVISION NUMBER
- 10- PIECES A UTILISER AVEC VOIR TABLEAU "COMPOSANTS ASSOCIES" / MATED WITH : SEE TABLE "ASSOCIATED PARTS"



LOC	DIST	REV	DATE	APP
F	00	B	29JAN2008	FJ XR
		C	10DEC2008	FJ XR
		D	03MAR2009	FJ XR
		E	01DEC2009	FJ XR
		F	12JUL2010	FJ XR
		G	21NOV2011	FJ XR



SECTION CABLE ADMISSIBLE PAR CONTACT
ACCEPTABLE CABLE SECTIONS PER CONTACT

La section des câbles utilisés doit être comprise entre 0,35 et 2mm² avec un diamètre d'isolant compris entre 1,40mm mini et 2,80mm Maxi
The cross-section of the cables used must be between 0,35 and 2mm² (with Insulator diameter included between 1,40mm mini and 2,80mm Maxi)

DESCRIPTION TITLE	TE NO REF TE
CAPOT FIXE 3 VOIES - SORTIE GAUCHE/DROITE FIXED COVER 3 WAYS - LEFT/RIGHT EXIT	1801467-1
CAPOT FIXE 3 VOIES - SORTIE HAUT/BAS FIXED COVER 3 WAYS - UP/DOWN EXIT	1801467-2
CAPOT FIXE 3 VOIES - SORTIE AXIALE FIXED COVER 3 WAYS - EXIT IN LINE	1801168-5
CAPOT ROTATIF 90 DEG. 3 VOIES ROTATIVE COVER 90 DEG. 3 WAYS	1801468-1
SUPPORT ADAPTER	1801359-1
CLIP 1.5 SENSOR II DORE Section 1.4 à 2mm ²	1670328-1
RECEPTACLE 1.5 SENSOR II GOLD PLATED Section 1.4 to 2mm ²	1670326-1
CLIP 1.5 SENSOR II DORE Section 0.75 à 1mm ²	1564724-1
RECEPTACLE 1.5 SENSOR II GOLD PLATED Section 0.75 to 1mm ²	1564724-1
CLIP 1.5 SENSOR II DORE Section 0.35 et 0.5mm ²	1801177-X
RECEPTACLE 1.5 SENSOR II GOLD PLATED Section 0.35 to 0.5mm ²	1801177-X
OBTURATEUR "MINI-ETANCHE" "MINI-ETANCHE" PLUGGING PIN	
PORTE-LANGUETTES 3 VOIES HP 3 WAYS TAB CONNECTOR HP	

COULEUR COLOR	MATIERE MATERIAL	CPA CPA	REP. ITEM
ORANGE ORANGE	PBT-GF15 (MATIERE: HB) (HB MATERIAL)	CPA	6
VERT GREEN	SILICONE LUBRIFIE A 5% ; DURETE 30 SHORE A LUBRICATED SILICON TO 5% ; HARNESS 30 SH. A	JOINT GROMMET GROMMET SEAL	5
NOIR BLACK	PBT-GF15 (MATIERE: HB) (HB MATERIAL)	GRILLE ARRIERE REAR GRID	4
VERT GREEN	SILICONE LUBRIFIE A 4% ; DURETE 50 SHORE A LUBRICATED SILICON TO 4% ; HARNESS 50 SH. A	JOINT INTERFACIAL INTERFACE SEAL	3
VOIR TABLEAU DES REF. SEE TABLE OF PART NO	PBT-GF15 (MATIERE: HB) (HB MATERIAL)	DOUBLE VERROUILLAGE CODAGE (VOIR TABLEAU DES REFS) SECONDARY LOCKING CODING (SEE TABLE OF PART NO)	2
NOIR BLACK	PBT-GF15 (MATIERE: HB) (HB MATERIAL)	BOITIER PORTE-CLIPS RECEPTACLE HOUSING	1

THIS DRAWING IS A CONTROLLED DOCUMENT. DWN: 23NOV2007, C44: BARLEMON, 23NOV2007, J: DAHER, 23NOV2007, APVD: J. DAHER, 23NOV2007, PRODUCT SPEC: 108-15378, APPLICATION SPEC: 411-15712, WEIGHT: 1.7g / 1.4g, FINISH: SEE TABLE VOIR TABLEAU, CUSTOMER DRAWING: A100779, C=1801178

STE TE Connectivity

NAME: 3 WAYS RECEPTACLE CONNECTOR HP
PORTE-CLIPS 3 VOIES HP

SIZE: CAGE CODE DRAWING NO: A100779, RESTRICTED TO: 1 OF 1, REV: G

Mouser Electronics

Authorized Distributor

Click to View Pricing, Inventory, Delivery & Lifecycle Information:

[TE Connectivity:](#)

[1801178-1](#)