

产品概览

LB11867RV: Variable Speed Single-Phase Fan Motor

欲看完整文档，请参阅数据表。

LB11867RV is a single-phase bipolar driving motor pre-driver with the variable speed function compatible with external PWM signal. With a few external parts, a highly-efficient and highly-silent variable drive fan motor with low power consumption can be achieved. This product is best suited for driving of the server requiring large air flow and large current and the fan motor of consumer appliances.

特性

- Single-phase full-wave driving pre-driver
- Variable speed control possible with external PWM input
- Current limiting circuit incorporated
- Reactive current cut circuit incorporated
- Minimum speed setting pin
- Soft start setting pin
- Lock protection and automatic reset circuits incorporated
- RD (lock detection) output
- Thermal shutdown circuit incorporated

优势

- High-efficiency low power-consumption drive

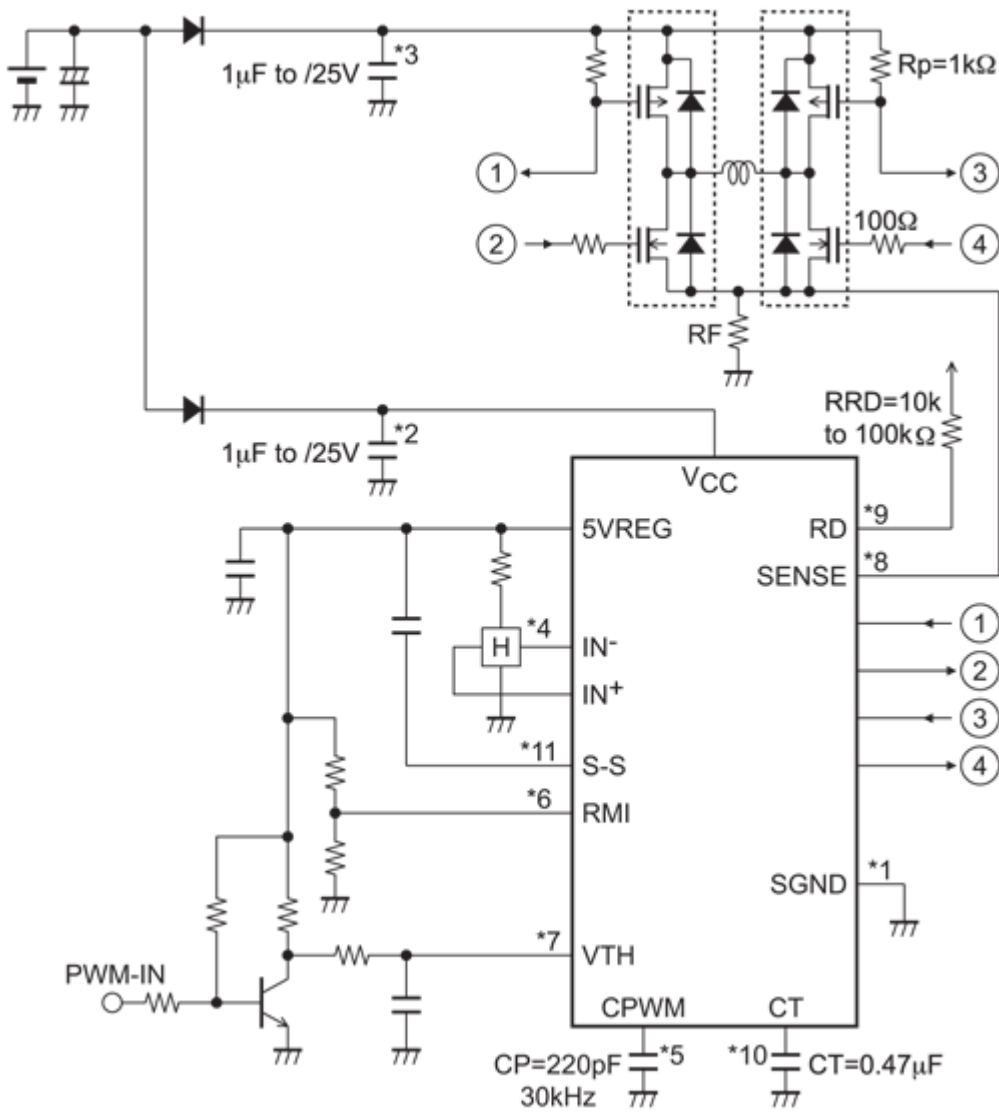
终端产品

器件电气规格

产品	Pricing (\$/Unit)	Compliance	Status	Phase	V _M Min (V)	V _M Max (V)	V _{CC} Min (V)	V _{CC} Max (V)	I _O Max (A)	I _O Peak Max (A)	Control Type	Package Type
LB11867RV-TLM-E	0.6781	Pb-free	Active	1			5.5	16	0.02		PWM	SSOP-16
LB11867RV-TLM-H	0.6781	Pb-free Halide free	Active	1			5.5	16	0.02		PWM	SSOP-16
LB11867RV-W-AH	0.5333	Pb-free Halide free	Active	1			5.5	16	0.02		PWM	SSOP-16

应用框图

Application Circuit Example (12V)



Note *1 to *11 information, please identify a datasheet.

欲了解更多信息，请联系您当地的销售支援 www.onsemi.cn。

创建于：3/28/2020