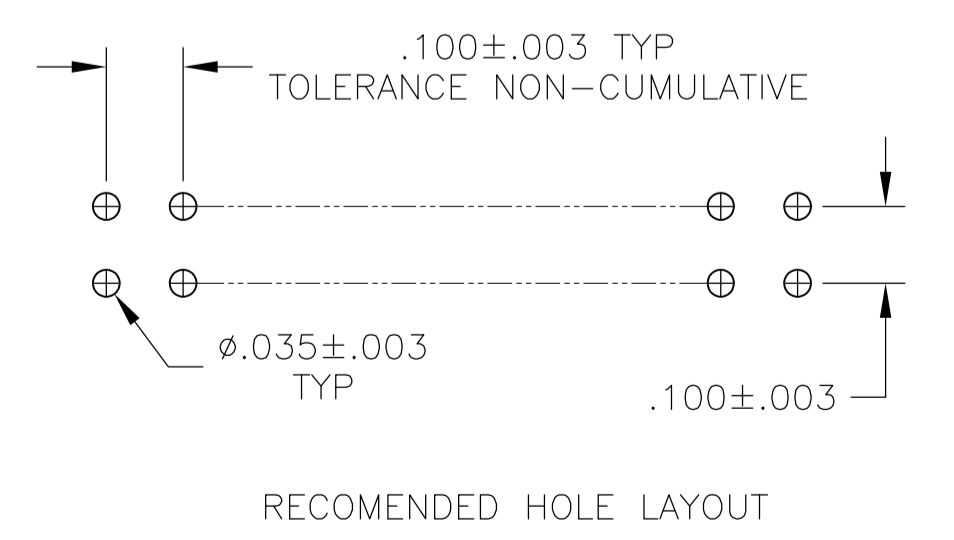
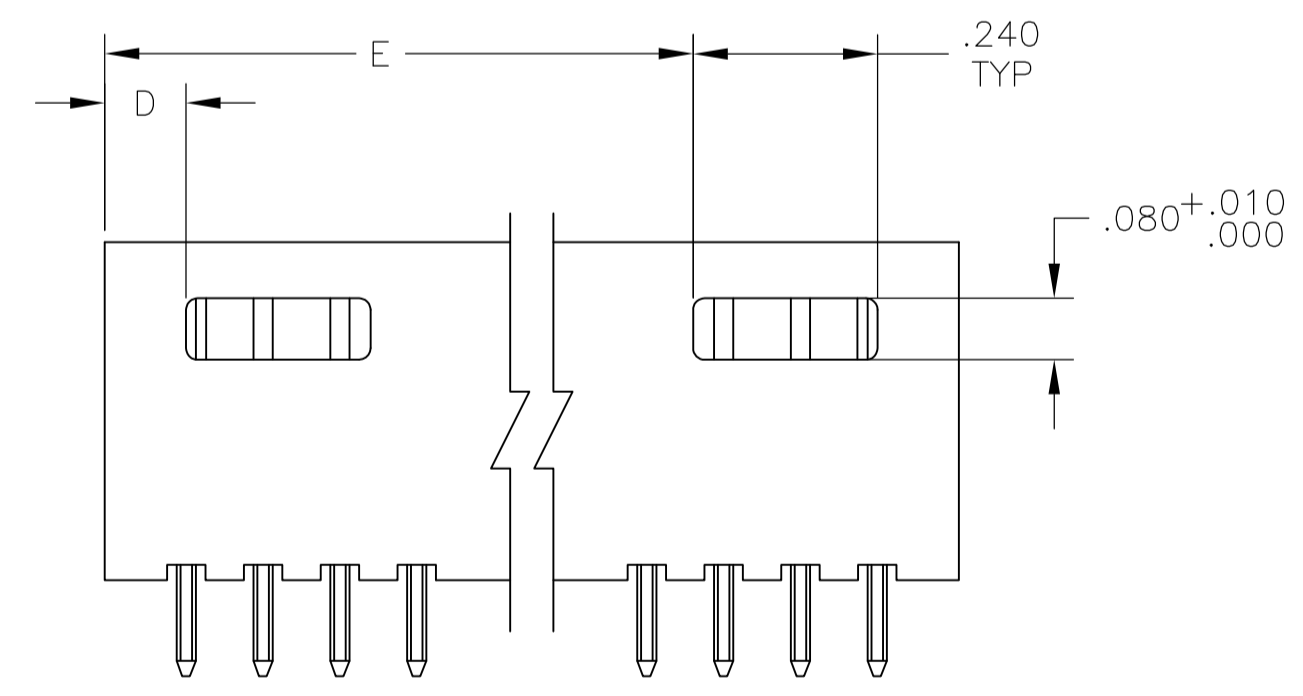
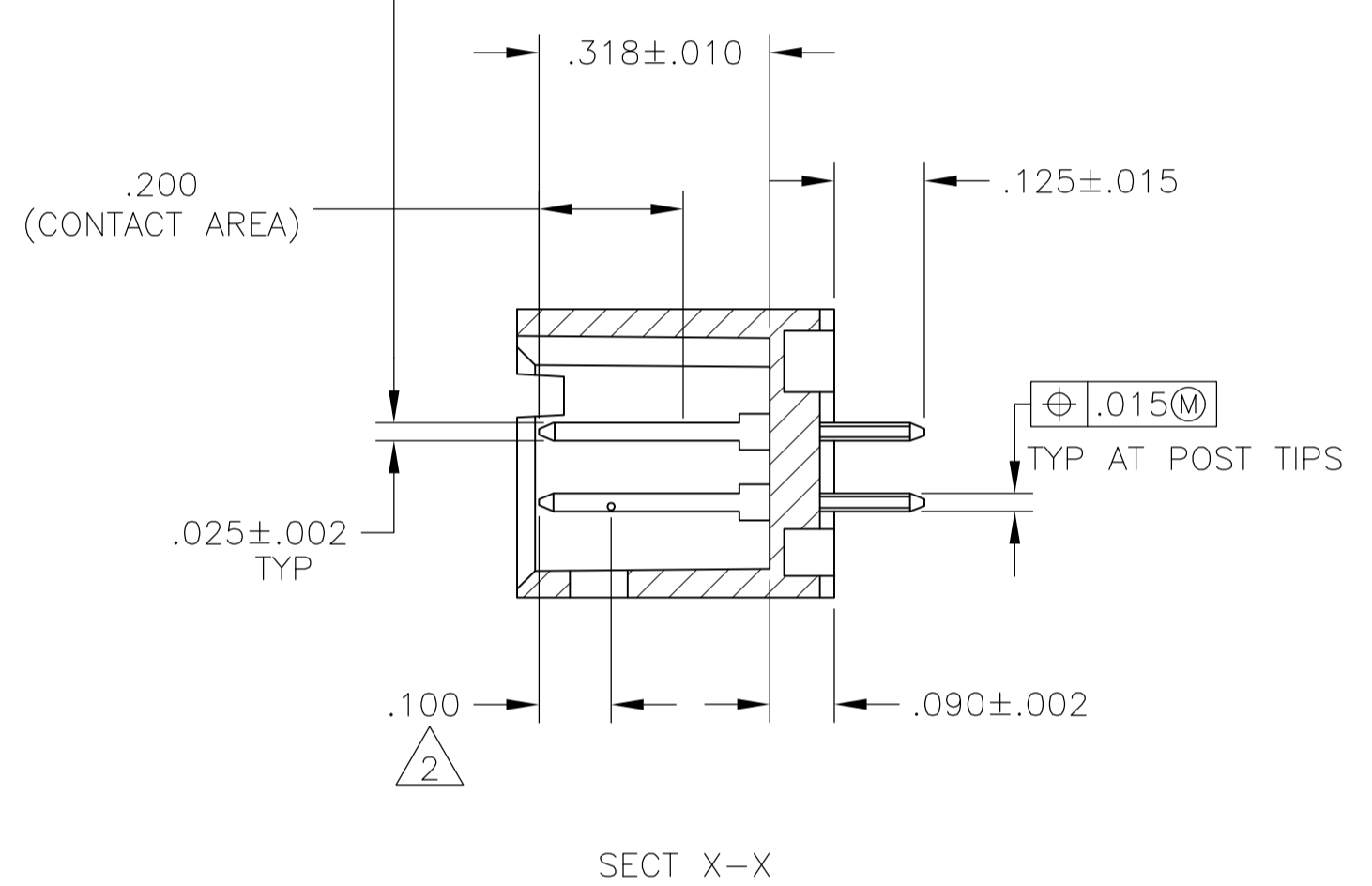
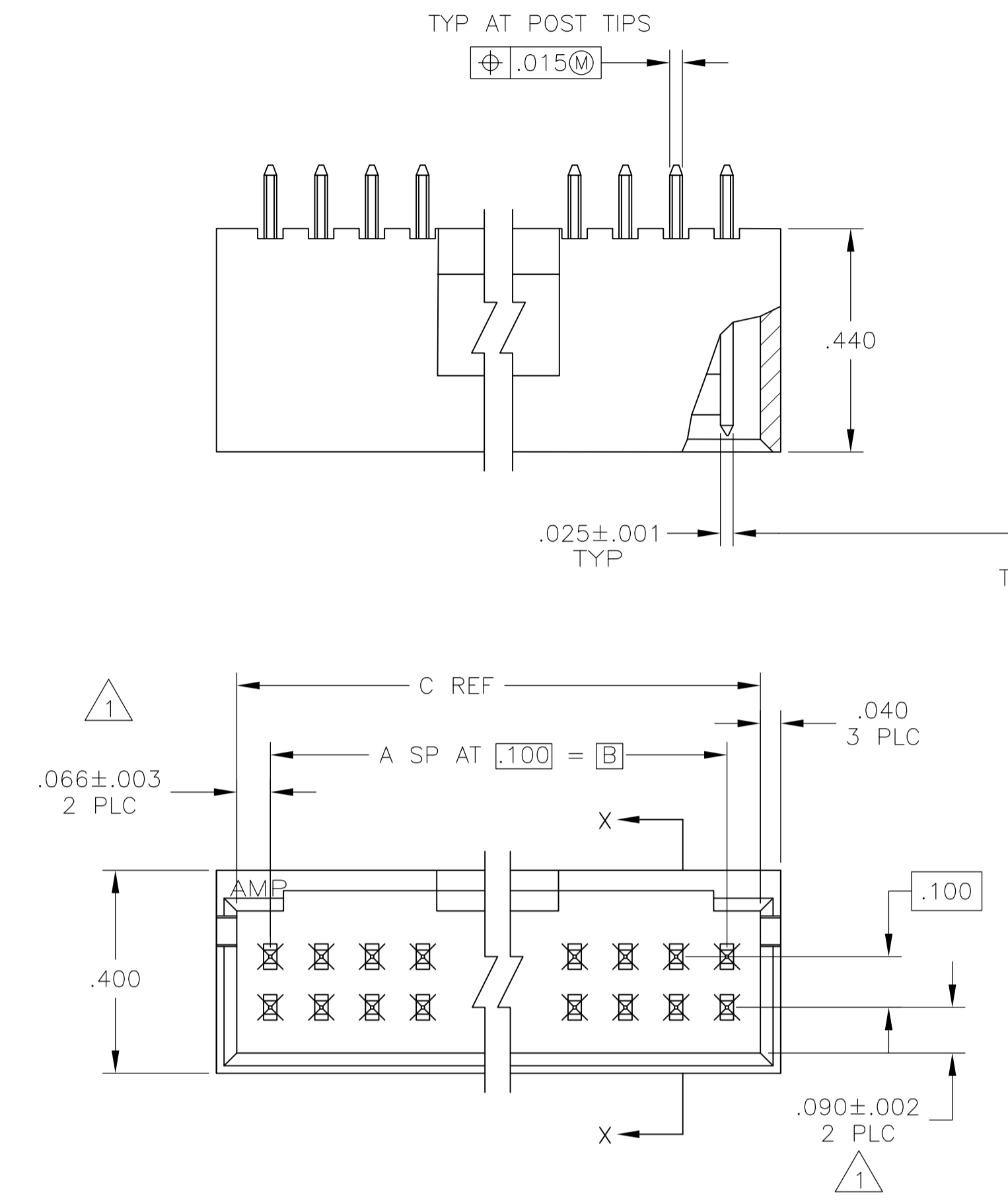


LOC		DIST		REVISIONS			
AD	00	REV	DATE	BY	CHK	APPV	REV
L2	REVISED	PER	ECO-11-004587				11MAR11

- 1 THE NOTED DIMENSIONS APPLY AT THE INTERSECTION OF THE POST AND HOUSING
- 2 POINT OF MEASUREMENT FOR PLATING THICKNESS
- 3 FINISH: POSTS:.000015 GOLD IN CONTACT AREA, .000100-.000200 MATTE TIN-LEAD ON SOLDER TAIL, ALL OVER .000050 NICKEL
- 4 FINISH: POSTS:.000015 GOLD IN CONTACT AREA, .000100-.000200 MATTE TIN ON SOLDER TAIL, ALL OVER .000050 NICKEL
- 5 MATERIALS: HOUSING- FLAME RETARDANT THERMOPLASTIC, COLOR-BLACK  
POSTS- PHOS BRONZE
- 6 OBSOLETE PARTS: OBSOLETE CIS STREAMLINING PER D.RENAUD/D.SINISI



REV	DATE	BY	CHK	APPV	REV	DATE	BY	CHK	APPV
8-102618-5									
8-102618-4									
8-102618-3									
8-102618-2									
8-102618-1									
8-102618-0									
7-102618-9									
7-102618-8									
7-102618-7									
7-102618-6									
7-102618-5									
7-102618-4									
7-102618-3									
7-102618-2									
7-102618-1									
7-102618-0									
6-102618-9									
6-102618-8									
6-102618-7									
6-102618-6									
6-102618-5									
6-102618-4									
6-102618-3									
6-102618-2									
6-102618-1									
6-102618-0									
5-102618-9									
5-102618-8									
5-102618-7									
5-102618-6									
5-102618-5									
5-102618-4									
5-102618-3									
5-102618-2									
5-102618-1									
5-102618-0									
3-102618-5									
3-102618-4									
3-102618-3									
3-102618-2									
3-102618-1									
3-102618-0									
2-102618-9									
2-102618-8									
2-102618-7									
2-102618-6									
2-102618-5									
2-102618-4									
2-102618-3									
2-102618-2									
2-102618-1									
2-102618-0									
1-102618-9									
1-102618-8									
1-102618-7									
1-102618-6									
1-102618-5									
1-102618-4									
1-102618-3									
1-102618-2									
1-102618-1									
1-102618-0									
—102618-9									
102618-8									
102618-7									
102618-6									
102618-5									
102618-4									
102618-3									
102618-2									
102618-1									

△ SUP BY 5-102618-9

THIS DRAWING IS A CONTROLLED DOCUMENT.

DIMENSIONS: INCHES	TOLERANCES UNLESS OTHERWISE SPECIFIED:	0 PLC ± .005	1 PLC ± .005	2 PLC ± .005	3 PLC ± .005	4 PLC ± .005	ANGLES ± .005
--------------------	--	--------------	--------------	--------------	--------------	--------------	---------------

MATERIAL: SEE TABLE

WEIGHT: —

RESTRICTED CUSTOMER

DATE: 4-9-87

CHK: LA MAYER

APPV: R. FEIDT

NAME: HDR ASSY, MOD II, SHROUDED, 4 SIDES, DBL ROW, VERTICAL, .100X.100 C/L, WITH .025 SQ POSTS

SIZE: A1

SCALE: 4:1

SHEET: 1 OF 1

REV: L2

STE TE Connectivity

# Mouser Electronics

Authorized Distributor

Click to View Pricing, Inventory, Delivery & Lifecycle Information:

[TE Connectivity:](#)

[6-102618-0](#)