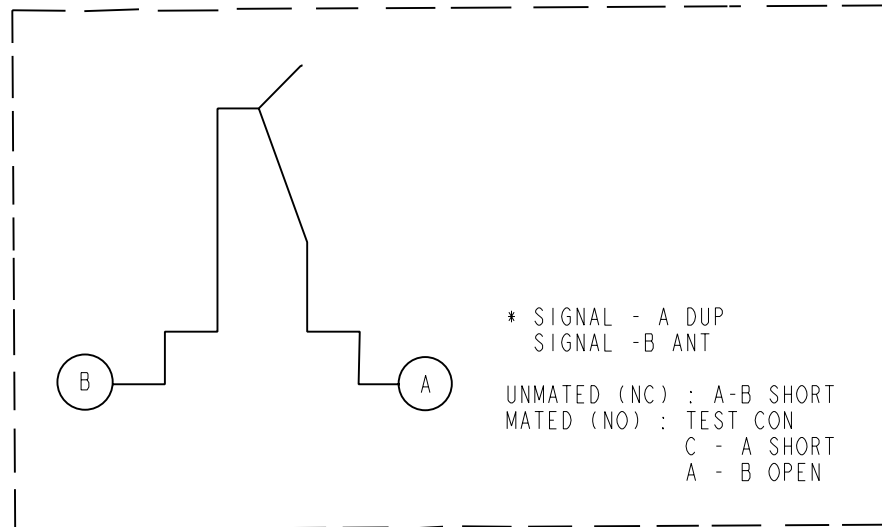


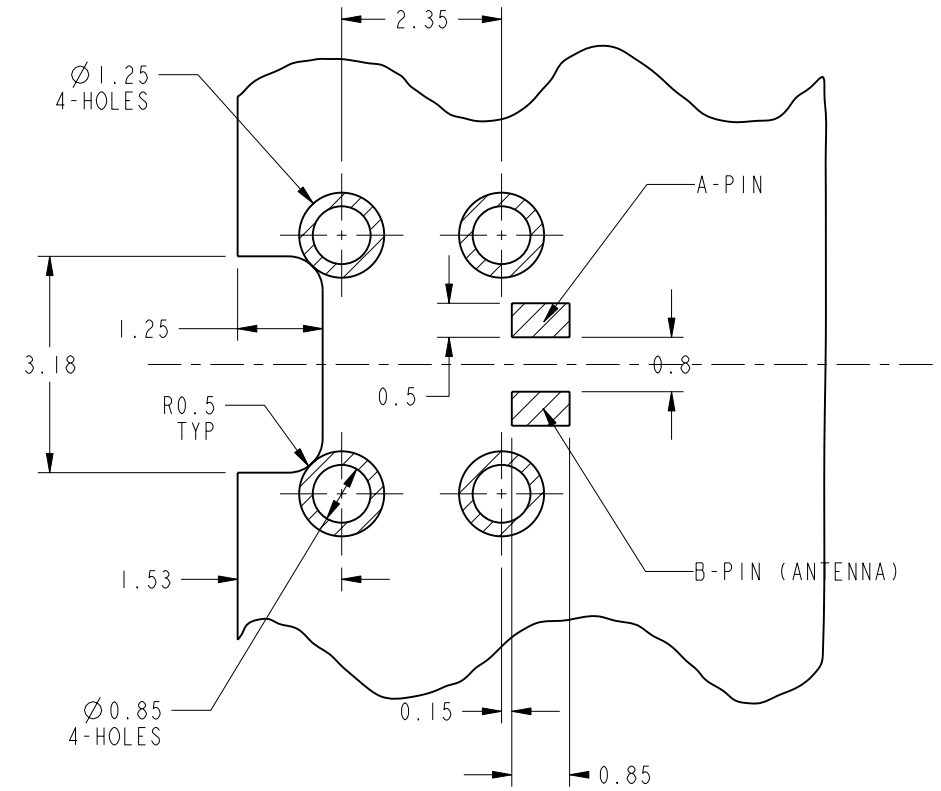
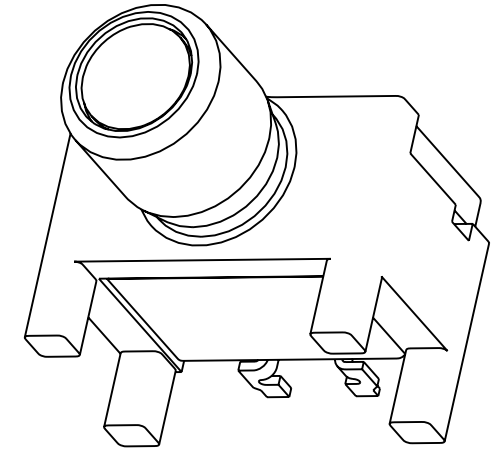
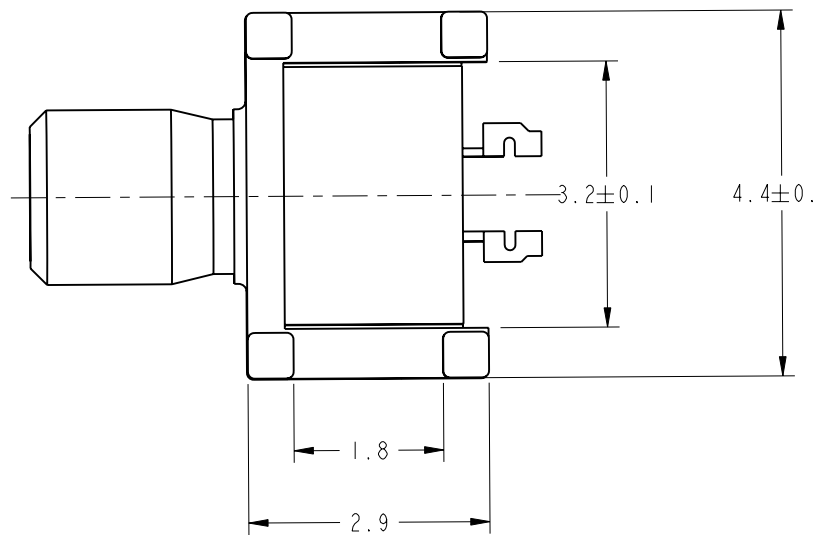
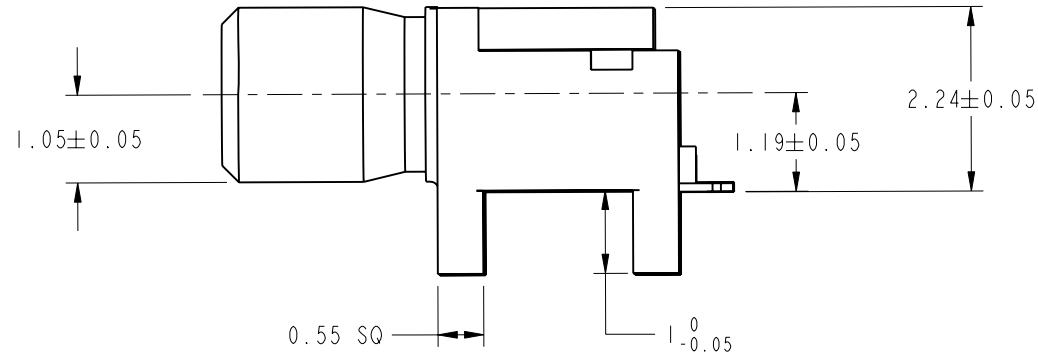
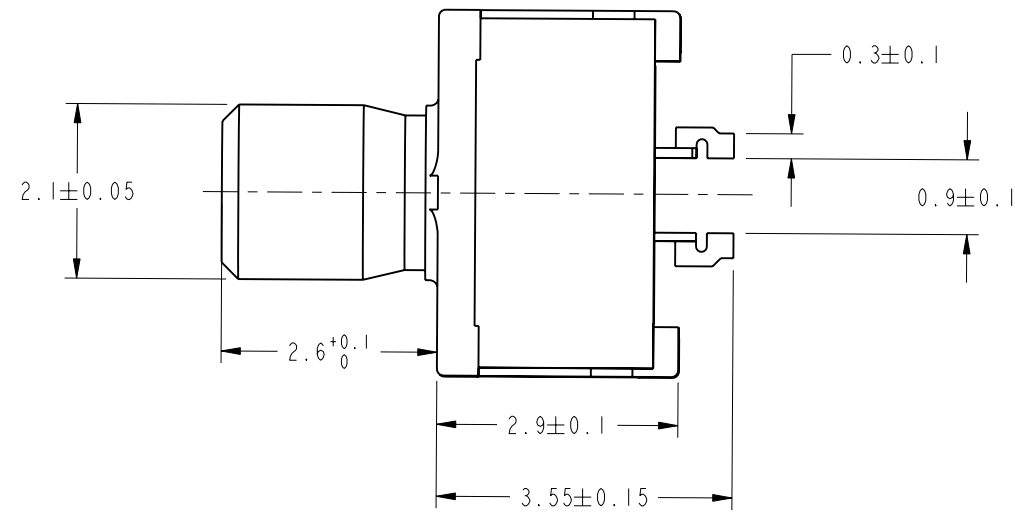
NOTES:

- MATERIALS AND FINISHES:  
 SHELL : BRASS(C3604), PLATING-Ni 1~5 μm + Au 0.03 μm MIN  
 A-PIN(Moving) : BeCu(C1720R-1/2HM), PLATING-Ni 1~5 μm + Au 0.2 μm MIN  
 B-PIN(Fixed) : PHOSPHORUS BRONZE(C5210R-1/2H), PLATING-Ni 1~5 μm + Au 0.2 μm MIN  
 MOLD : PA9T
- ELECTRICAL:  
 A. IMPEDANCE : 50 OHM  
 B. FREQUENCY RANGE : DC - 3 GHz  
 C. VSWR : 1.6 MAX.  
 D. DIELECTRIC WITHSTANDING VOLTAGE : 1 MIN. AC 100V VRMS
- MECHANICAL:  
 A. DURABILITY : 5000 CYCLES MIN  
 B. TEMPERATURE RANGE: -35°C TO +85°C
- PACKAGING:  
 TAPE AND REEL

- NOTES -  
 1. COPLANARITY : MAX. 0.1  
 2. RF SWITCH CIRCUIT DIAGRAM:



902-9046		REVISIONS			
DRAWING NO.	REV	DESCRIPTION	DATE	ECO	APPR
THIRD ANGLE PROJ.	A	RELEASE TO MFG.	9/23/08	47292	JL



**CUSTOMER OUTLINE DRAWING**  
 ALL OTHER SHEETS ARE FOR INTERNAL USE ONLY

**METRIC DRAWING**

UNLESS OTHERWISE SPECIFIED, DIMENSIONS ARE IN INCHES AND TOLERANCES ARE: 2 PLACE DECIMAL ±.015 (0,381 mm) 3 PLACE DECIMAL ±.005 (0,127 mm) ANGLES ± 1°	MATERIAL	DRAWN JIA YONG LI	DATE 18-Sep-08	TITLE RF SWITCH CONNECTOR		Amphenol Amphenol Corporation Communication and Network Products Division Danbury, CT U.S.A. 06810	
	REFERENCE EAR # 3161	ENGINEER JIA YONG LI	DATE 18-Sep-08				
NOTICE - These drawings, specifications, or other data (1) are, and remain the property of Amphenol Corp. (2) must be returned upon request; and (3) are confidential and not to be disclosed to any person other than those to whom they are given by Amphenol Corp. The furnishing of these drawings, specifications, or other data by Amphenol Corp., or to any other person to anyone for any purpose is not to be regarded by implication or otherwise in any manner licensing, granting rights or permitting such holder or any other person to manufacture, use or sell any product, process or design, patented or otherwise, that may in any way be related to or disclosed by said drawings, specifications, or other data.		APPROVED K. CAPOZZI	DATE 9/22/08	CODE ID 74868	DWG SIZE B	DRAWING NO. 902-9046	SCALE: 11.0:1 SHEET 2 OF 3
		CAD FILE I:/SWITCH/ 902-9046					REV A

# Mouser Electronics

Authorized Distributor

Click to View Pricing, Inventory, Delivery & Lifecycle Information:

[Amphenol:](#)

[902-9046](#)