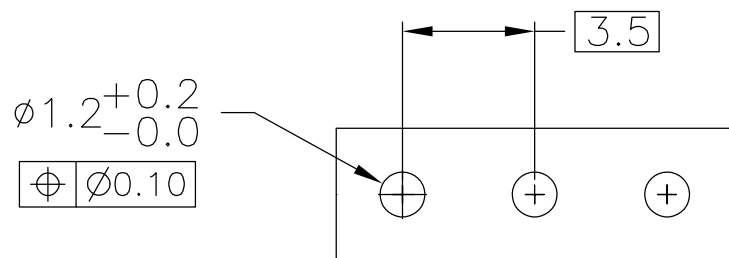
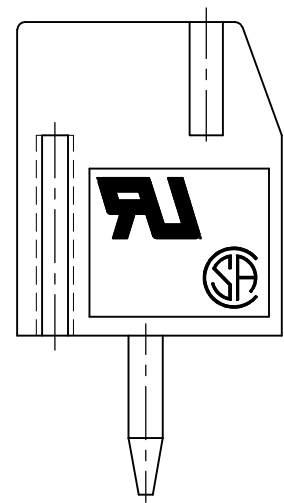
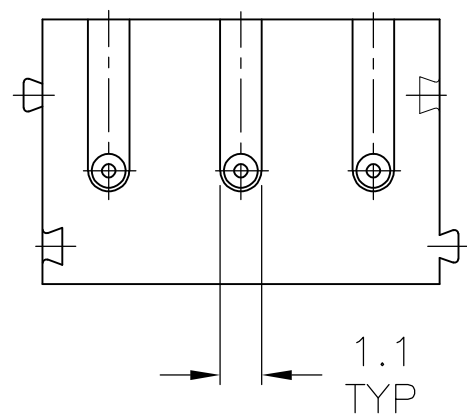
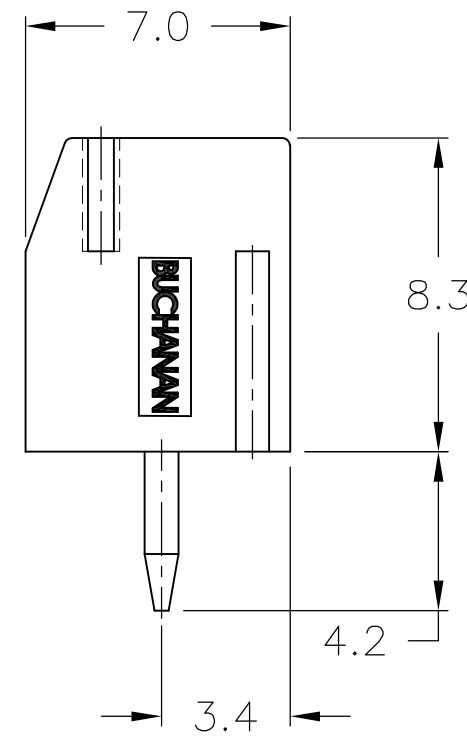
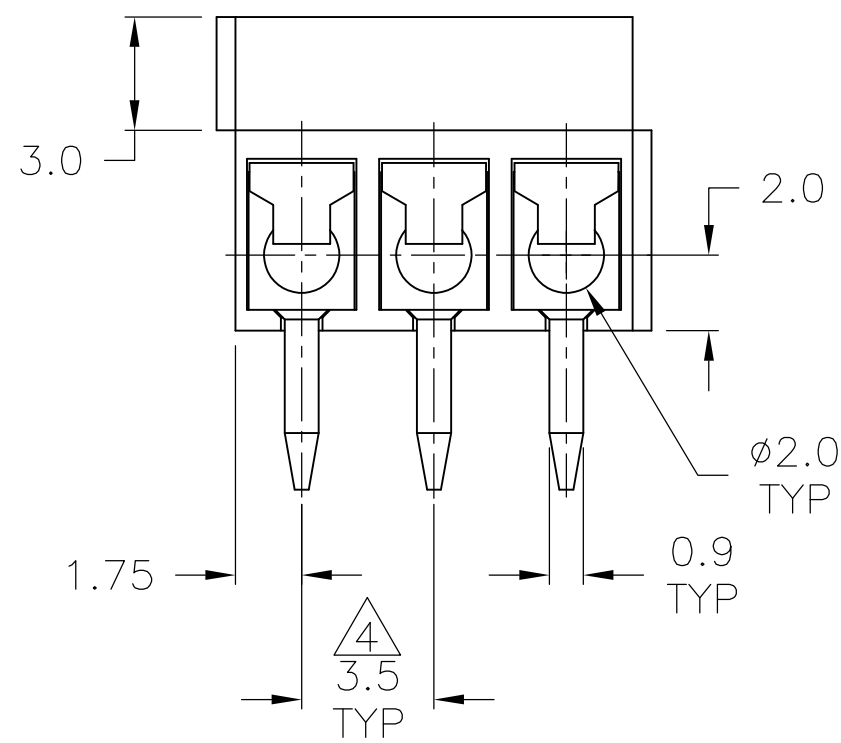
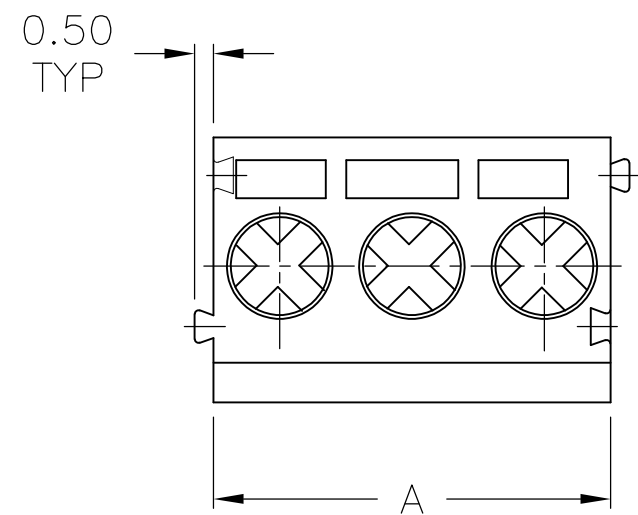


THIS DRAWING IS UNPUBLISHED. RELEASED FOR PUBLICATION
 © COPYRIGHT - By - ALL RIGHTS RESERVED.

| LOC | DIST | REVISIONS | | | | | |
|-----|------|-----------|-----|---|-----------|-----|------|
| | | P | LTR | DESCRIPTION | DATE | DWN | APVD |
| FT | 0 | R1 | | PCB LAYOUT ADDED HIGH TEMP PHRASE REMOVED | 04MAY2016 | FP | NG |

- ALL DIMENSIONS ARE IN MM.
 - RECOMMENDED PC BOARD HOLE DIAMETER: 1.20-1.40.
 - BUCHANAN LOGO TO APPEAR ON HOUSING LOCATION OPTIONAL WHERE SPACE PERMITS.
- \triangle NON CUMULATIVE



RECOMMENDED PC BOARD LAYOUT

| HOUSING COLOR | DIM A | NO OF POSN | PART NUMBER | |
|---------------|-------|------------|-------------|-------------|
| OBSOLETE | BLACK | 42.00 | 12 | 4-1776275-2 |
| OBSOLETE | BLACK | 28.00 | 8 | 3-1776275-8 |
| OBSOLETE | BLUE | 84.00 | 24 | 2-1776275-4 |
| OBSOLETE | BLUE | 80.50 | 23 | 2-1776275-3 |
| OBSOLETE | BLUE | 77.00 | 22 | 2-1776275-2 |
| OBSOLETE | BLUE | 73.50 | 21 | 2-1776275-1 |
| OBSOLETE | BLUE | 70.00 | 20 | 2-1776275-0 |
| OBSOLETE | BLUE | 66.50 | 19 | 1-1776275-9 |
| OBSOLETE | BLUE | 63.00 | 18 | 1-1776275-8 |
| OBSOLETE | BLUE | 59.50 | 17 | 1-1776275-7 |
| OBSOLETE | BLUE | 56.00 | 16 | 1-1776275-6 |
| OBSOLETE | BLUE | 52.50 | 15 | 1-1776275-5 |
| OBSOLETE | BLUE | 49.00 | 14 | 1-1776275-4 |
| OBSOLETE | BLUE | 45.50 | 13 | 1-1776275-3 |
| OBSOLETE | BLUE | 42.00 | 12 | 1-1776275-2 |
| OBSOLETE | BLUE | 38.50 | 11 | 1-1776275-1 |
| OBSOLETE | BLUE | 35.00 | 10 | 1-1776275-0 |
| OBSOLETE | BLUE | 31.50 | 9 | 1776275-9 |
| OBSOLETE | BLUE | 28.00 | 8 | 1776275-8 |
| OBSOLETE | BLUE | 24.50 | 7 | 1776275-7 |
| OBSOLETE | BLUE | 21.00 | 6 | 1776275-6 |
| OBSOLETE | BLUE | 17.50 | 5 | 1776275-5 |
| OBSOLETE | BLUE | 14.00 | 4 | 1776275-4 |
| OBSOLETE | BLUE | 10.50 | 3 | 1776275-3 |
| OBSOLETE | BLUE | 7.00 | 2 | 1776275-2 |

THIS DRAWING IS A CONTROLLED DOCUMENT.

| | | |
|------|------------|--------|
| DWN | S SCHLEGEL | 5/5/05 |
| CHK | C RICHARD | 5/5/05 |
| APVD | C RICHARD | 5/5/05 |

TE Connectivity

NAME: TB, PCB MOUNT, ST SIDE WIRE ENTRY, W/INTERLOCK, 3.5mm PITCH

| | | | | | | | |
|-------|-----|-----------|-------|------------|-----------|---------------|---|
| SIZE | A2 | CAGE CODE | 00779 | DRAWING NO | C=1776275 | RESTRICTED TO | - |
| SCALE | 4:1 | SHEET | 1 | OF 2 | REV | R1 | |

CUSTOMER DRAWING

THIS DRAWING IS UNPUBLISHED. RELEASED FOR PUBLICATION
 © COPYRIGHT - By - ALL RIGHTS RESERVED.

| LOC | | DIST | | REVISIONS | | | |
|-----|-----|-------------|-------------|-----------|------|--|--|
| P | LTR | DESCRIPTION | DATE | DWN | APVD | | |
| FT | 0 | - | SEE SHEET 1 | - | - | | |

1. APPLICATION AND FEATURES:

- 1-1. STANDARD SIZES ARE 2 AND 3 WAY-BLOCKS, BUT EVERY NUMBER OF CONTACT CAN BE COMBINED, BY SIMPLY PLUGGING THEM TOGETHER AND CAN BE ORDERED AS REQUIRED.
- 1-2. WITH WIRE GUARD FOR WIRE PROTECTION SO THAT THE SCREW DOESN'T PRESS DIRECTLY ON THE WIRE.

2. TECHNICAL DATA:

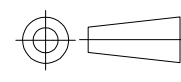
- 2-1. MATERIAL:
 - 2-1-1. HOUSING: PA 6.6, UL 94 V-0, SEE TABLE.
 - 2-1-2. METAL HOUSING: BRASS(Cu Zn) PLATING: NICKEL-TIN (Ni-Sn)
 - 2-1-3. WIRE GUARD: STAINLESS STEEL.
 - 2-1-4. SCREW: STEEL GALVANIZED AND CHROMATIZED, M2.6.

2-2. ELECTRICAL:

- 2-2-1. CURRENT RATING: RATING: 7 AMPS/WAY MAX.
- 2-2-2. CONTACT RESISTANCE: 20mohm (MAX).
- 2-2-3. INSULATION RESISTANCE: 5000Mohm/1000V.
- 2-2-4. WITHSTANDING VOLTAGE: 1500 VAC/MIN.
- 2-2-5. OPERATION VOLTAGE: 250 VAC.
- 2-2-6. WIRE RANGE: 18-26 AWG.

2.3. MECHANICAL:

- 2-3-1. TORQUE: 4 Kg.cm (MAX).
- 2-3-3. OPERATING TEMPERATURE: -55°C to +105°C.
- 2-3-4. SOLDERABILITY: 95% COVERAGE (MIN).

| | | | | | | | | | | | | | | |
|---|--|--|------------|--------|---------------------------|---|-----------|--------|------------|-----------|---------------|--------|-----|----|
| THIS DRAWING IS A CONTROLLED DOCUMENT. | | DWN | S SCHLEGEL | 5/5/05 | TE TE Connectivity | | | | | | | | | |
| DIMENSIONS: mm | | CHK | C RICHARD | 5/5/05 | | | | | | | | | | |
|  | | APVD | C RICHARD | 5/5/05 | | | | | | | | | | |
| | | TOLERANCES UNLESS OTHERWISE SPECIFIED: | | NAME | | TB, PCB MOUNT, ST SIDE WIRE ENTRY, W/INTERLOCK, 3.5mm PITCH | | | | | | | | |
| MATERIAL | | PRODUCT SPEC | - | | SIZE | A2 | CAGE CODE | 00779 | DRAWING NO | C=1776275 | RESTRICTED TO | - | | |
| FINISH | | APPLICATION SPEC | - | | SCALE | 4:1 | SHEET | 2 OF 2 | REV | R1 | | | | |
| WEIGHT | | WEIGHT | - | | CUSTOMER DRAWING | | | SCALE | | 4:1 | SHEET | 2 OF 2 | REV | R1 |

1776275

Mouser Electronics

Authorized Distributor

Click to View Pricing, Inventory, Delivery & Lifecycle Information:

[TE Connectivity:](#)

[1776275-8](#)