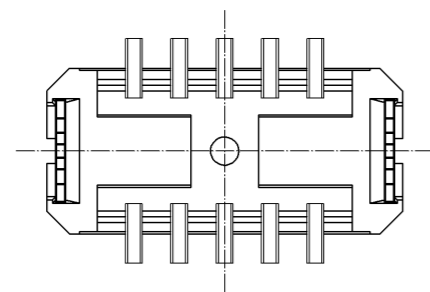
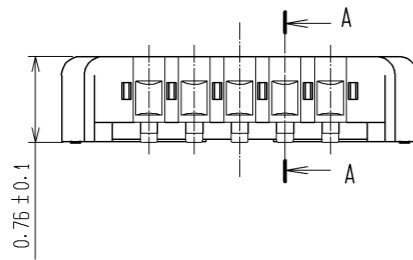
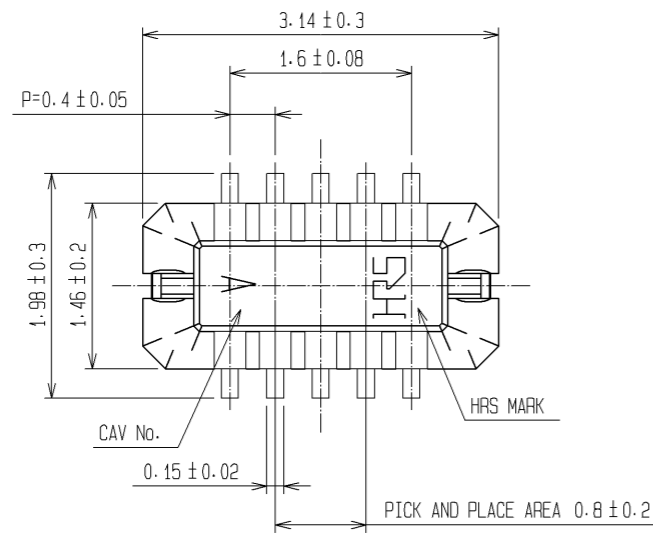
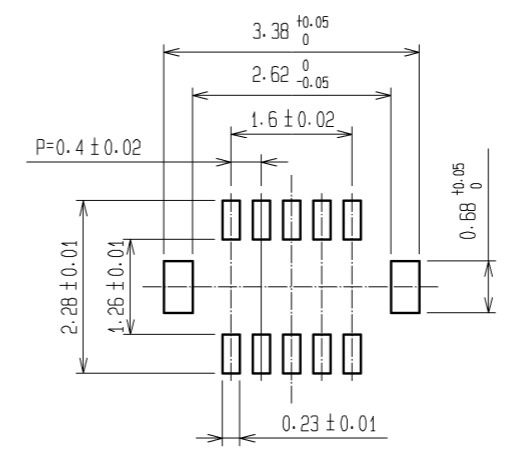


Sep.1.2020 Copyright 2020 HIROSE ELECTRIC CO., LTD. All Rights Reserved.
In case of consideration for using Automotive equipment / device which demand high reliability, kindly contact our sales window correspondents.



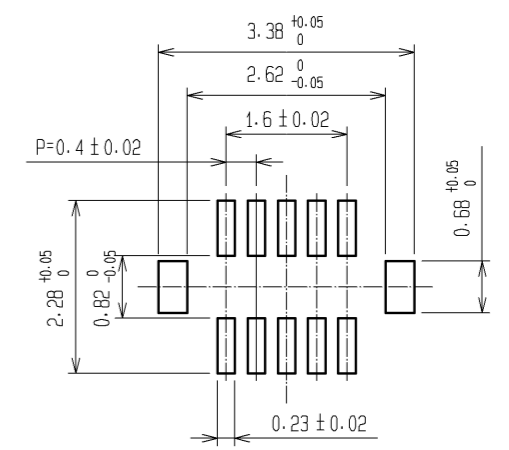
HRS DRAWING FOR REFERENCE

RECOMMENDED METAL MASK
OPENING PATTERN

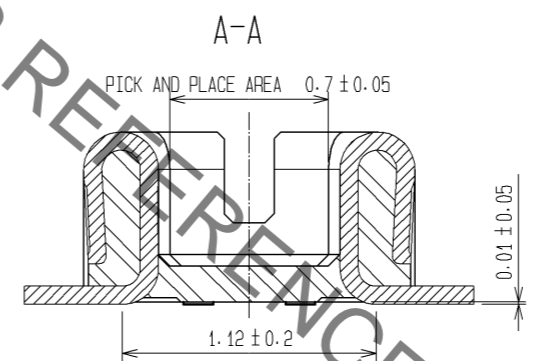
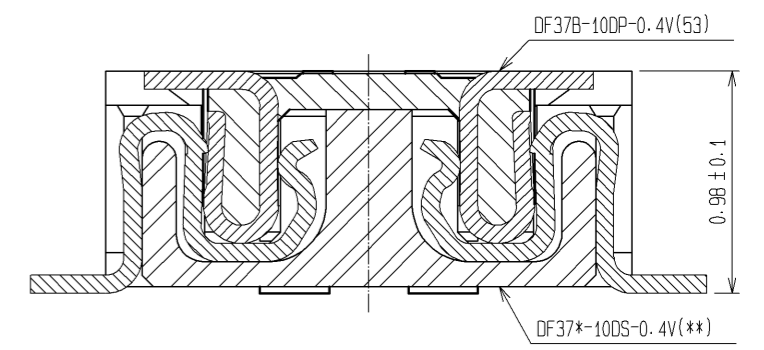


RECOMMENDED SOLDER PASTE THICKNESS: 120#m

RECOMMENDED PATTERN



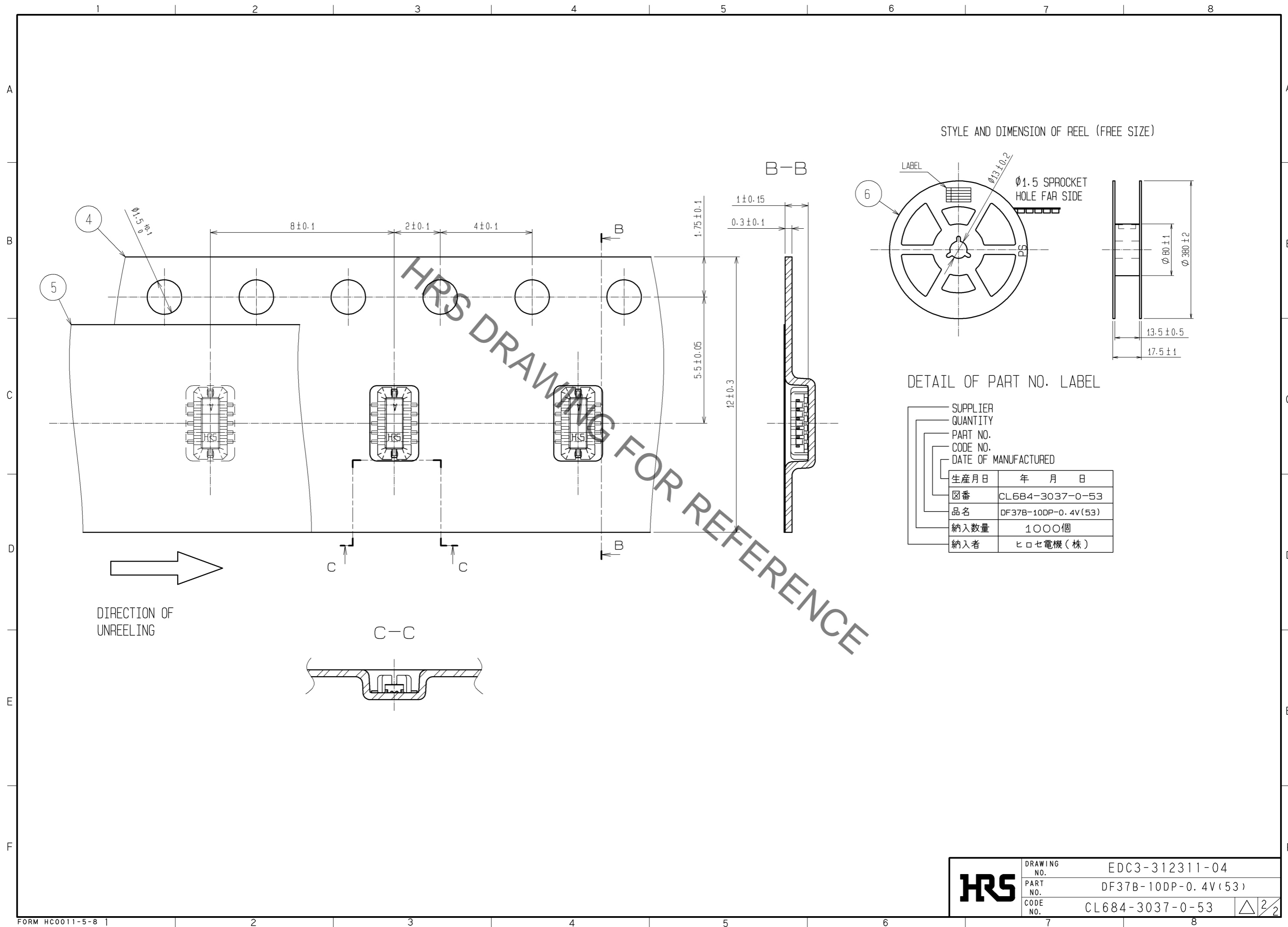
ENGAGEMENT FIGURE



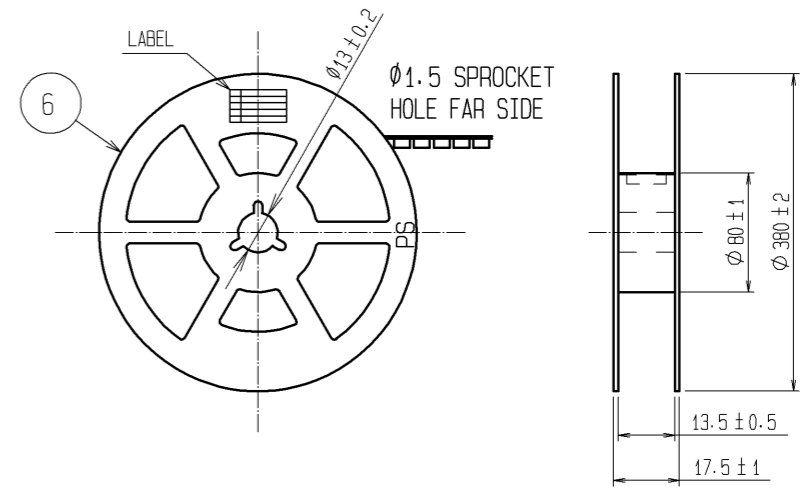
- NOTE 1. ALL LEADS CO-PLANARITY SHALL BE 0.1 MAX.
 2. PER REEL : 1000 CONNECTORS.
 3. AT THE BEGINNING OF THE REEL, 100 mm AT MIN SHALL BE EMPTY POCKETS.
 AT THE END OF THE REEL, 160 mm AT MIN SHALL BE EMPTY.
 4. CONTACT PLATING SPECIFICATIONS.
 CONTACT AREA : GOLD 0.05#m MIN.
 SMT LEAD : GOLD 0.05#m MIN.
 UNDERPLATING : NICKEL 1#m MIN.
 (SURFACE : SEALING)
 5. METAL HOLD DOWN PLATING SPECIFICATIONS.
 MOUNTING AREA: GOLD 0.05#m MIN.
 UNDERPLATING : NICKEL 1#m MIN.
 6. PEEL FORCE OF COVER TAPE REFERS TO JIS C 0806.

| 3 | PHOSPHOR BRONZE | 5 | 6 | PS | PLASTIC REEL (BLACK) | | | |
|-------|-----------------|---|------|--|------------------------------|----------|---------|------|
| 2 | PHOSPHOR BRONZE | 4 | 5 | POLYESTER | CLEAR(COVER TAPE) | | | |
| 1 | LCP | UL94V-0, BLACK | 4 | PS | CLEAR(EMBOSSED CARRIER TAPE) | | | |
| NO. | MATERIAL | FINISH, REMARKS | NO. | MATERIAL | FINISH, REMARKS | | | |
| UNITS | mm | SCALE | FREE | COUNT | DESCRIPTION OF REVISIONS | DESIGNED | CHECKED | DATE |
| | | APPROVED : KH. IKEDA 09.01.07 CHECED : TS. MIYAZAKI 09.01.07 DESIGNED : RT. SHIMIZU 09.01.07 DRAWN : AK. AOYAGI 09.01.06 | | DRAWING NO. EDC3-312311-04 PART NO. DF37B-10DP-0.4V(53) CODE NO. CL684-3037-0-53 | | 1/2 | | |

Sep.1.2020 Copyright 2020 HIROSE ELECTRIC CO., LTD. All Rights Reserved.
In case of consideration for using Automotive equipment / device which demand high reliability, kindly contact our sales window correspondents.



STYLE AND DIMENSION OF REEL (FREE SIZE)



DETAIL OF PART NO. LABEL

| | | |
|---|----------------------|---------------------|
| — | SUPPLIER | |
| — | QUANTITY | |
| — | PART NO. | |
| — | CODE NO. | |
| — | DATE OF MANUFACTURED | |
| — | 生産月日 | 年 月 日 |
| ☑ | 番 | CL684-3037-0-53 |
| | 品名 | DF37B-10DP-0.4V(53) |
| | 納入数量 | 1000個 |
| | 納入者 | ヒロセ電機(株) |

| | | |
|------------|-------------|---------------------|
| HRS | DRAWING NO. | EDC3-312311-04 |
| | PART NO. | DF37B-10DP-0.4V(53) |
| | CODE NO. | CL684-3037-0-53 |
| | | △ 2/2 |