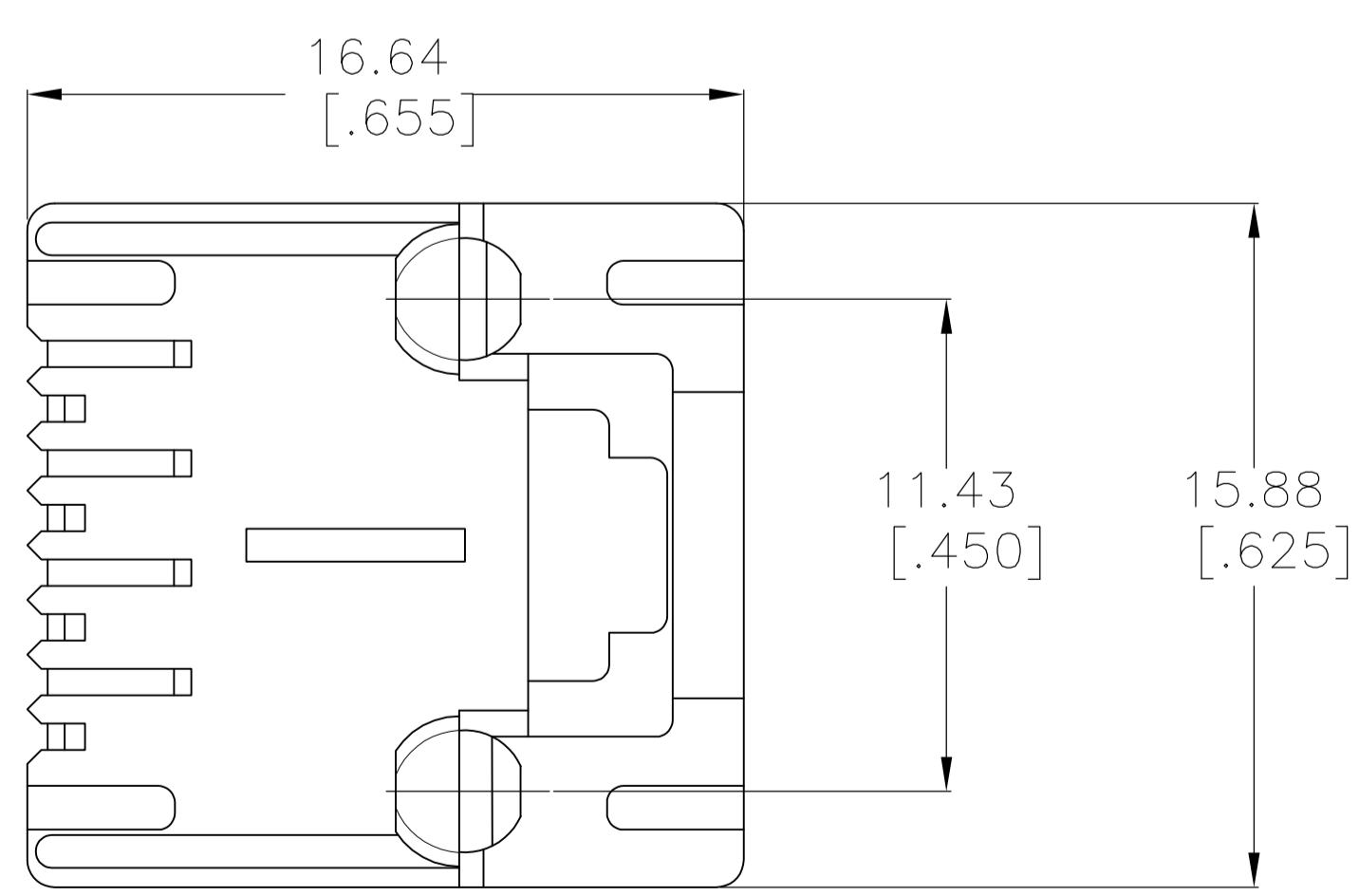
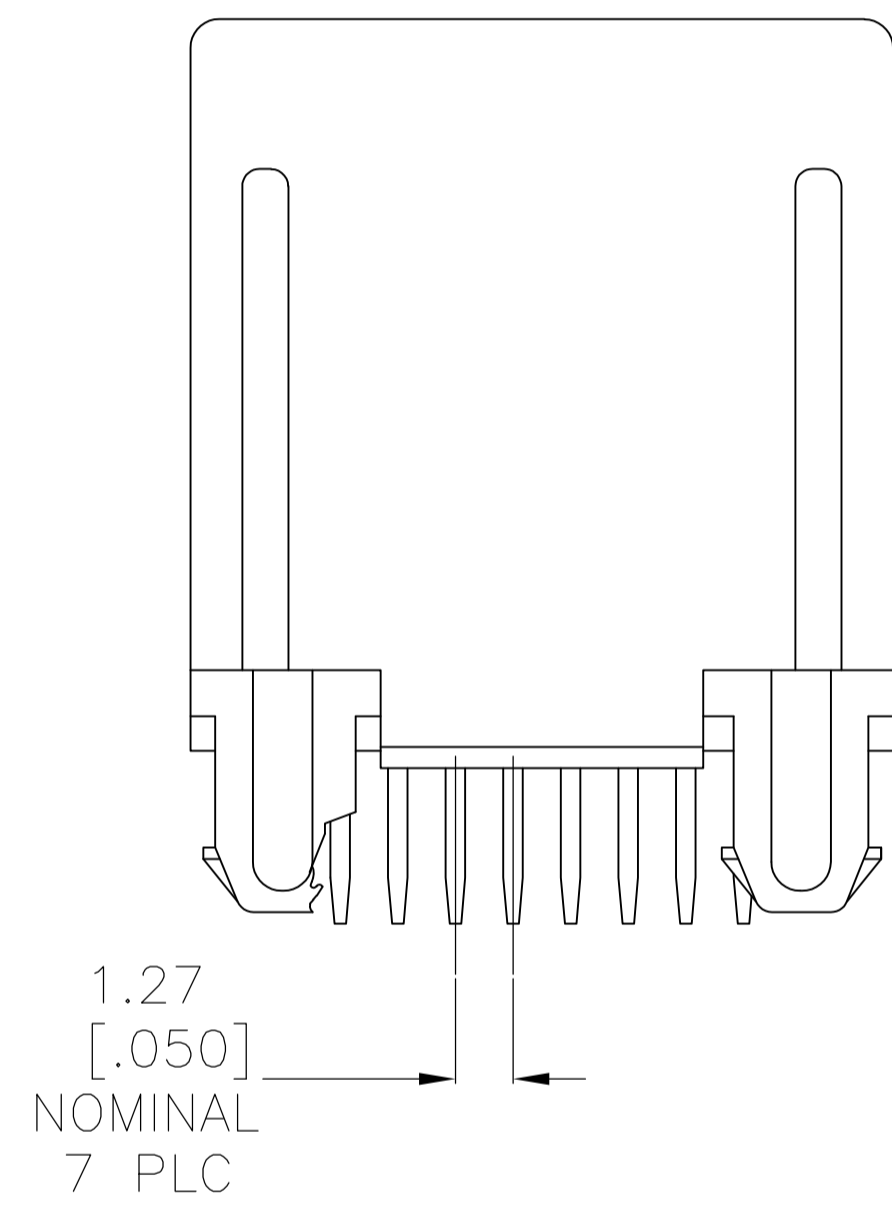
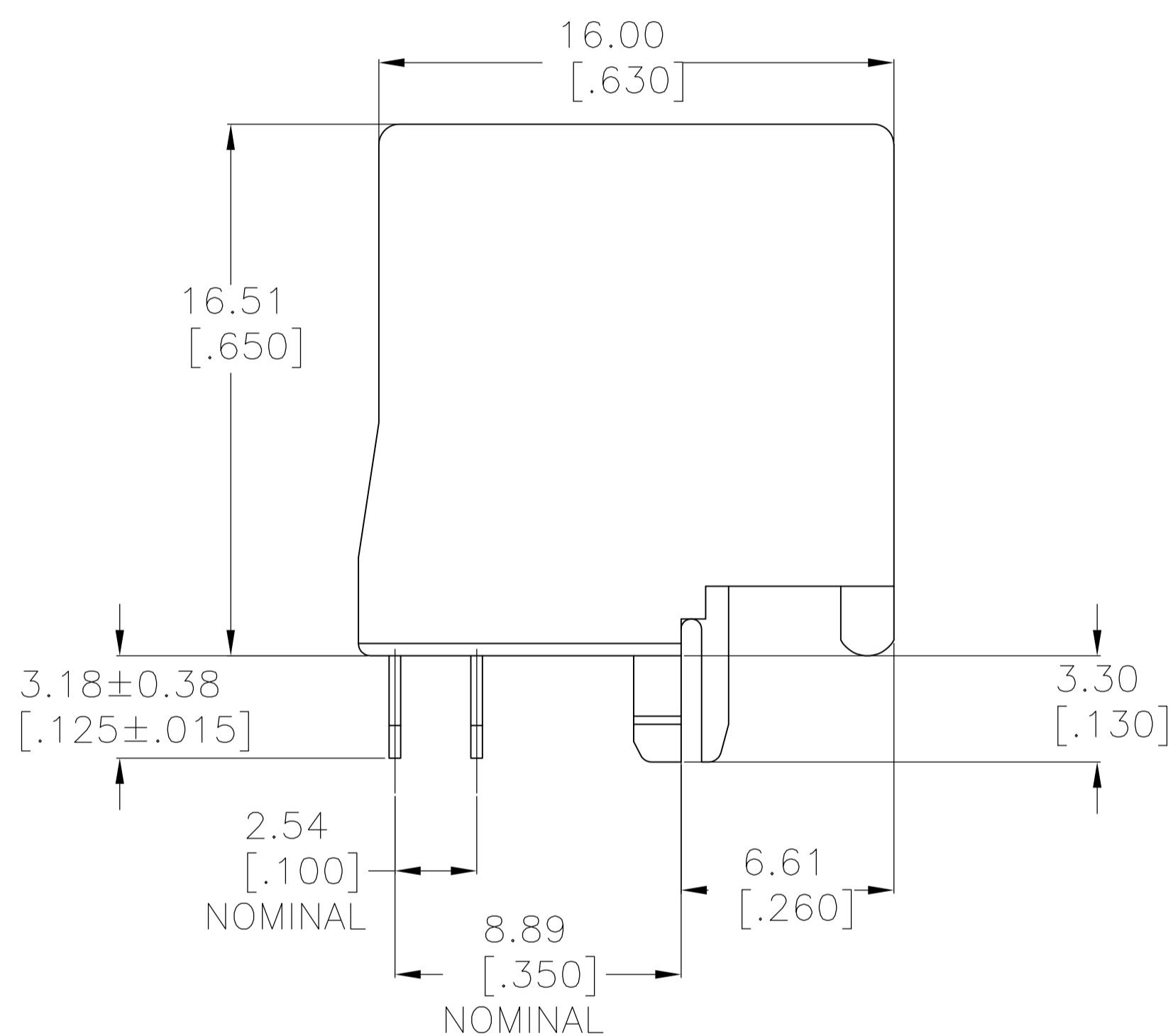
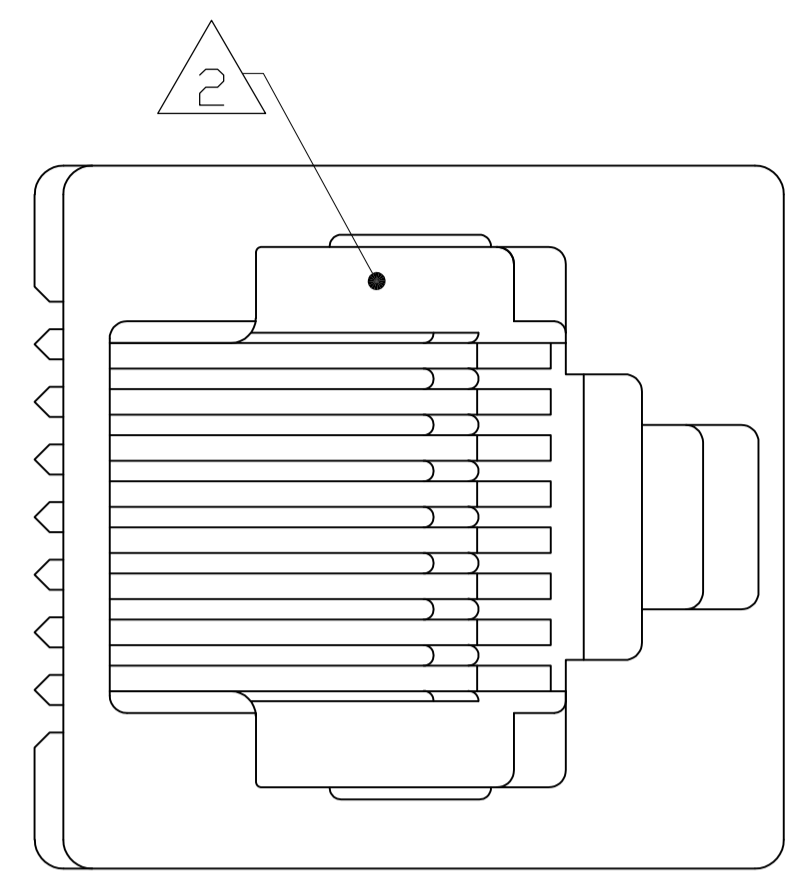
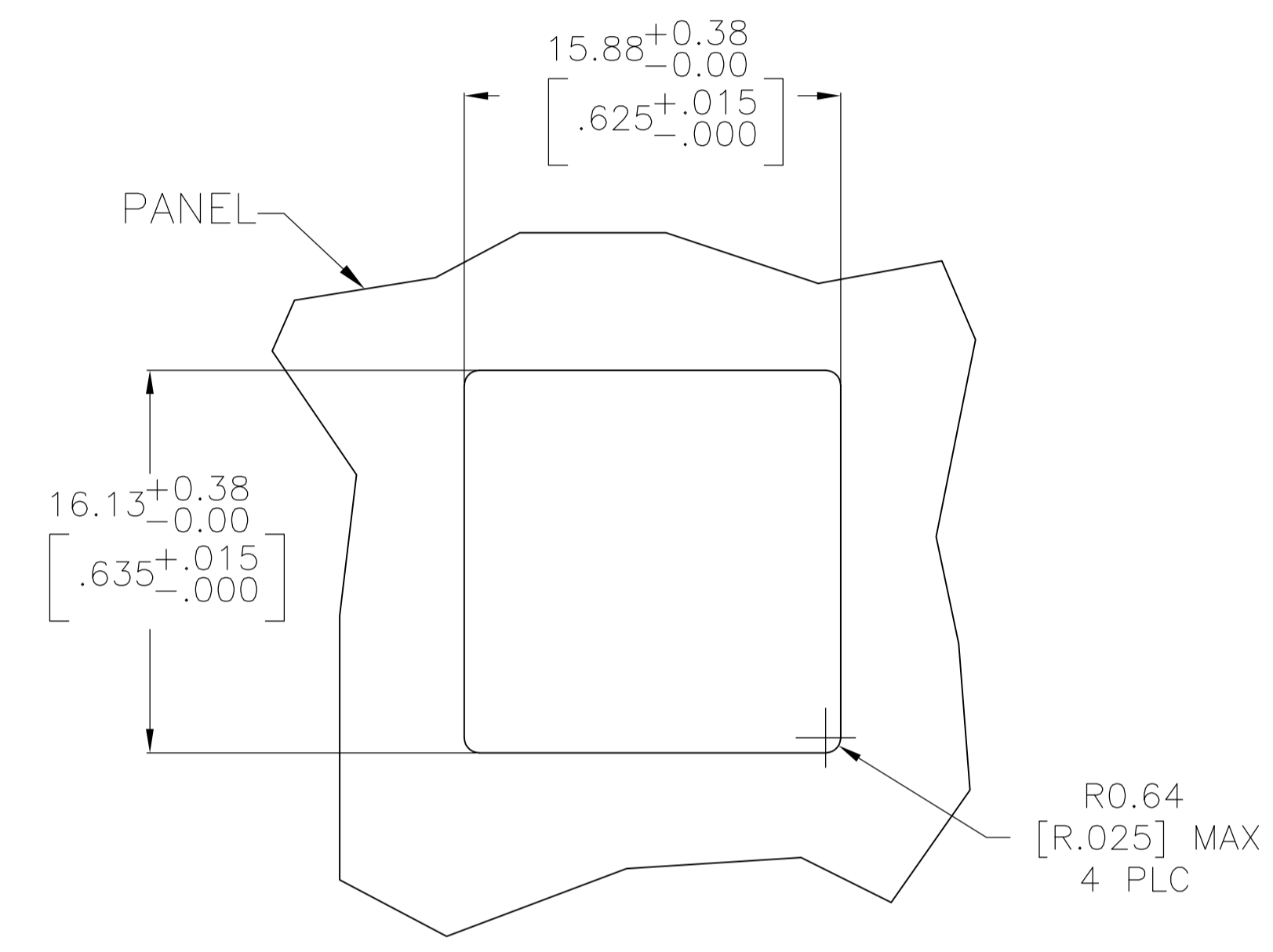


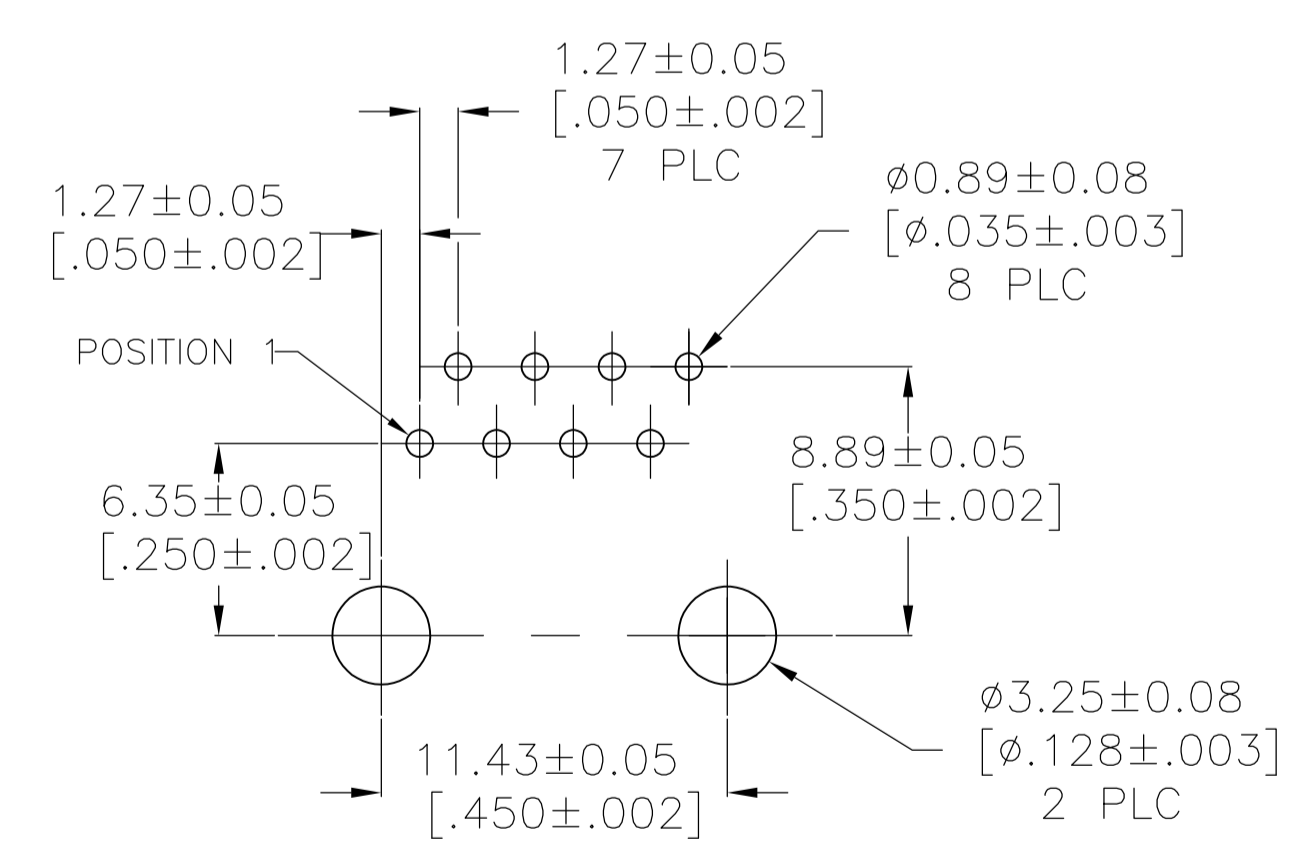
LOC		DIST		REVISIONS			
AA	00	REV	DATE	BY	CHK	APPV	
C1	REVISED PER ECO-11-005033	23MAR11	RK	HMR			



- MATERIAL: HOUSING- PBT POLYESTER, BLACK.
TERMINAL- 0.36[.014] THICK PHOS BRONZE PLATED WITH 1.27µm[.000050] MINIMUM THICK HARD GOLD LOCALIZED GOLD PLATE AREA AND 3.81µm[.000150] MINIMUM THICK MATTE TIN IN SOLDER AREA OVER 1.27µm[.000050] MINIMUM THICK NICKEL UNDERPLATE.
- CAVITY CONFORMS TO FCC RULES AND REGULATIONS PART 68 AND REA BULLETIN 345-81, PE-76 SPECIFICATION FOR MODULAR TELEPHONE HARDWARE.
- ALL DIMENSIONS SHOWN ARE MAXIMUM UNLESS OTHERWISE SPECIFIED.
- BULK PACKAGED IN A TRAY.
- PACKAGED 30 PER TUBE.



RECOMMENDED PANEL CUTOUT
SCALE 4:1



RECOMMENDED PRINTED CIRCUIT BOARD LAYOUT
COMPONENT SIDE
SCALE 4:1

5	5556416-2
4	5556416-1
PACKAGED	PART NO

THIS DRAWING IS A CONTROLLED DOCUMENT.		DIN E. LATTUCA 12SEPT05		TE Connectivity	
DIMENSIONS: mm [INCHES]		CHK J. WESTMAN 12SEPT05		APVD S. FLICKINGER 12SEPT05	
TOLERANCES UNLESS OTHERWISE SPECIFIED:		NAME		MODULAR JACK ASSEMBLY, TOP ENTRY, 8 POSITION, FLANGELESS, WITHOUT PANEL STOPS	
0 PLC ± -		PRODUCT SPEC		108-1163	
1 PLC ± -		APPLICATION SPEC		114-2048	
2 PLC ± -		SIZE		A1	
3 PLC ± -		CAGE CODE		00779	
4 PLC ± -		DRAWING NO		5556416	
ANGLES ± -		RESTRICTED TO		-	
MATERIAL SEE NOTE 1		FINISH SEE NOTE 1		WEIGHT -	
		CUSTOMER DRAWING		SCALE 6:1 SHEET 1 OF 1 REV C1	

Mouser Electronics

Authorized Distributor

Click to View Pricing, Inventory, Delivery & Lifecycle Information:

[TE Connectivity:](#)

[5556416-2](#)