

TERMINAL FINISH OPTIONS:

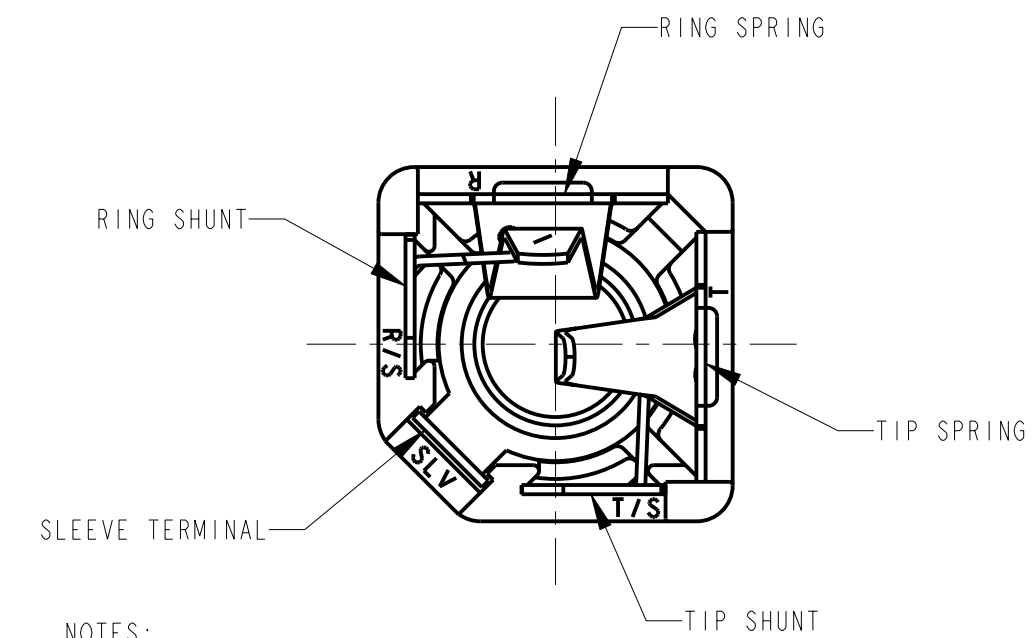
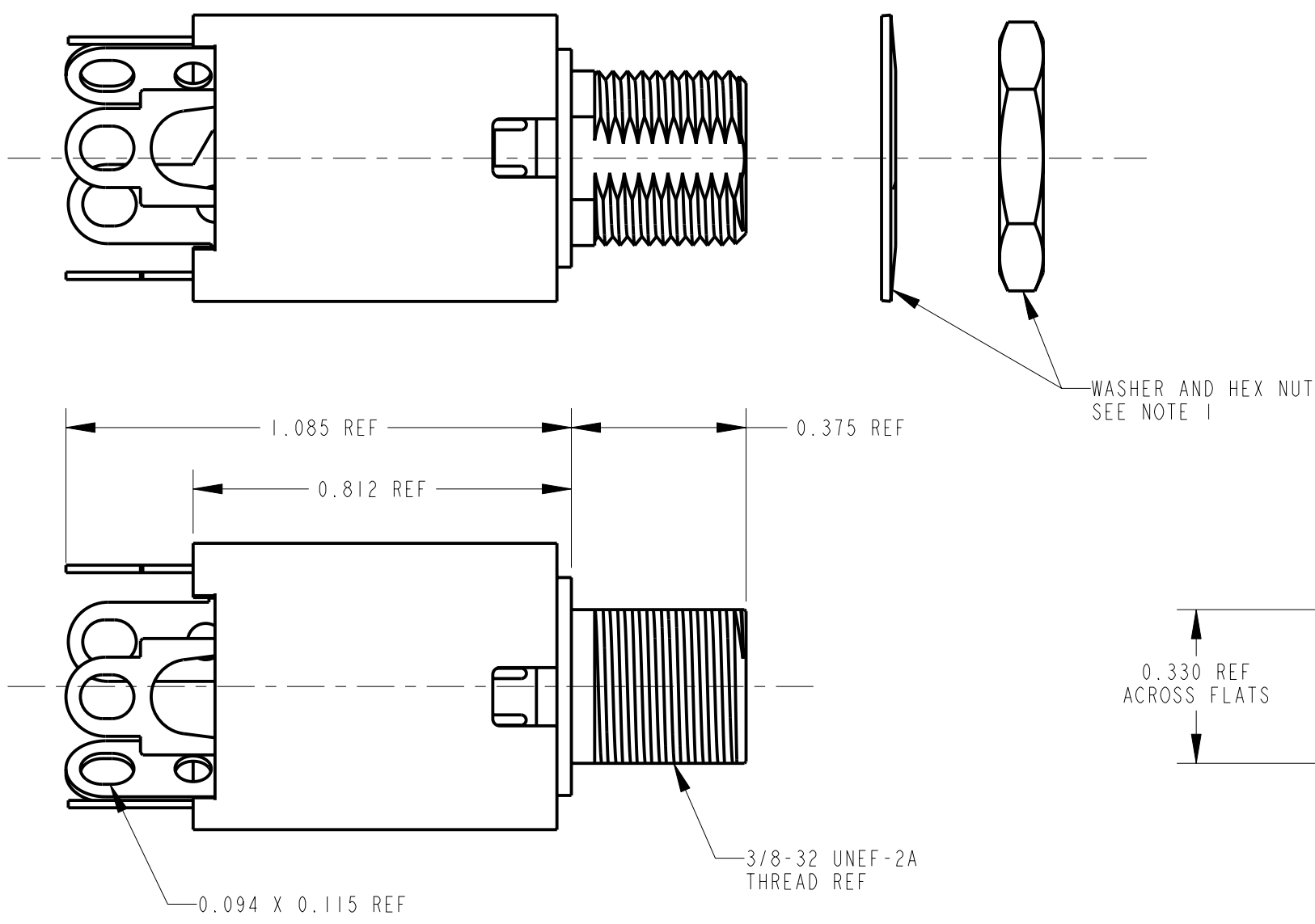
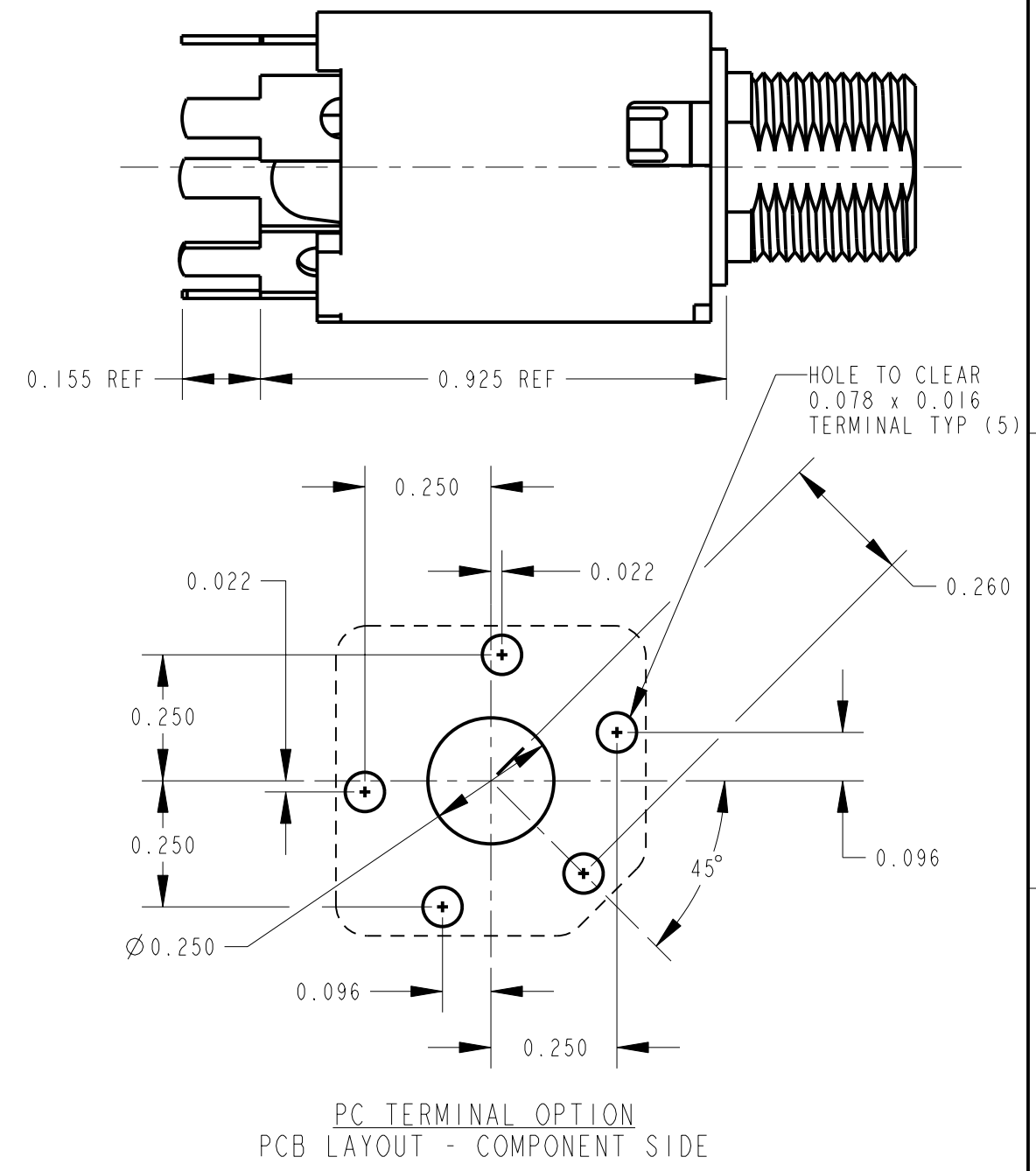
NL - "N" INSULATING, MOLDED NYLON BUSHING  
"L" 0.375 LONG BUSHING

MNL - "M" GOLD PLATED SPRINGS WITH GOLD CONTACTS ON RING SPRINGS AND SHUNT SPRINGS (WHEN SHUNTS ARE USED)  
"N" INSULATING, MOLDED NYLON BUSHING  
"L" 0.375 LONG BUSHING

TERMINAL OPTIONS:  
R6HS COMPLIANT  
BLANK - SOLDER TERMINAL  
PC - 0.078 WIDE PC TAILS  
PCS - SNAP-IN PC TAILS

CIRCUITRY OPTIONS:

1 - TIP OPEN CIRCUIT	TIP SLEEVE
2A - TIP CLOSED CIRCUIT	TIP SLEEVE
2B - TIP & RING OPEN CIRCUIT	RING TIP SLEEVE
3 - TIP OPEN CIRCUIT AND ISOLATE "MAKE" CIRCUIT	TIP SLEEVE
3B - TIP CLOSED CIRCUIT AND RING OPEN CIRCUIT (I-C TRANSFER)	RING TIP SLEEVE
3D - I TIP CLOSED CIRCUIT AND I TIP OPEN CIRCUIT	TIP SLEEVE
3E - TIP OPEN CIRCUIT AND ISOLATED "BREAK" CIRCUIT	TIP SLEEVE
3F - TIP OPEN CIRCUIT AND RING CLOSED CIRCUIT	RING TIP SLEEVE
4B - TIP & RING CLOSED CIRCUIT	RING TIP SLEEVE



NOTES:

- HARDWARE SHIPPED UNASSEMBLED.
- MAXIMUM PANEL THICKNESS: 0.25
- MATERIALS:  
HOUSING - POLYESTER GLASS FILLED, BLACK  
BUSHING - THERMOPLASTIC, BLACK WITH BRASS, NICKEL PLATED SLEEVE  
SLEEVE TERMINAL - BRASS, LEAD FREE ELECTRO-TIN PLATED  
SPRINGS - NICKEL SILVER, LEAD FREE ELECTRO-TIN PLATED  
LIFTERS - NYLON (113 & 113E CIRCUIT OPTIONS)  
WASHER - STEEL, NICKEL PLATED  
NUT - BRASS, NICKEL PLATED
- THIS PRODUCT IS R6HS COMPLIANT.

SOLDER TERMINAL OPTION

REV	ECO NUMBER	DATE	BY	APVD
A	26032	3-25-11	TJK	TJK
REVISIONS				

★ STAR SYMBOL DENOTES CRITICAL DIMENSION

UNLESS OTHERWISE SPECIFIED

- ALL DIMENSIONS IN INCHES  
- TWO PLACE DECIMALS ±0.01  
- THREE PLACE DECIMALS ±0.005  
- ANGLES ±1°  
- ALL DIA. CONCENTRIC WITHIN 0.005 T.I.R.
- FEATURES ON THE SAME CENTERLINE MUST BE ALIGNED WITHIN ±0.002
- REMOVE ALL BURRS

DO NOT SCALE DRAWING

CUSTOMER DRAWING

SIZE	WIDTH	MULT	LBS/M	TEMPER
FINISH		MATERIAL		
SPEC No.		SPEC No.		
FIRST USED ON		SCALE		
		3:1		
DATE DRAWN	BY	CHKD	APVD	
17-Jul-08	TJK	TJK	TJK	
		7-17-08	7-17-08	
NAME				REV
#3/8-32, LONG INSULATED BUSHING				A
Ø0.25 I.D. HI-D JACK ASSY, R6HS				

**Switchcraft**  
SHEET | OF |  
PART No. NLI10X SERIES  
MNL10X SERIES

# Mouser Electronics

Authorized Distributor

Click to View Pricing, Inventory, Delivery & Lifecycle Information:

## Switchcraft:

[111PCX](#) [111X](#) [112APCX](#) [112AX](#) [112BPCX](#) [112BX](#) [113BPCX](#) [113BX](#) [113EPCX](#) [113EX](#) [113FX](#) [113X](#) [114BPCX](#)  
[114BX](#) [N111PCX](#) [N111X](#) [N112AX](#) [N112BPCX](#) [N113BX](#) [N113X](#) [N114BPCX](#) [NL111X](#) [NL112BX](#) [NL114BX](#)  
[N113BPCX](#) [N114BX](#) [N112BX](#) [NL-112AX](#)