

4

3

2

1

THIS DRAWING IS UNPUBLISHED.

RELEASED FOR PUBLICATION

---

© COPYRIGHT - By TE CONNECTIVITY

ALL RIGHTS RESERVED.

LOC

DIST

REVISIONS

HB

-

P

LTR

DESCRIPTION

DATE

DWN

APVD

C1

CHANGED LOGO AND UPDATE DRAWING ECO-16-000656

20-SEP-15

BL.L

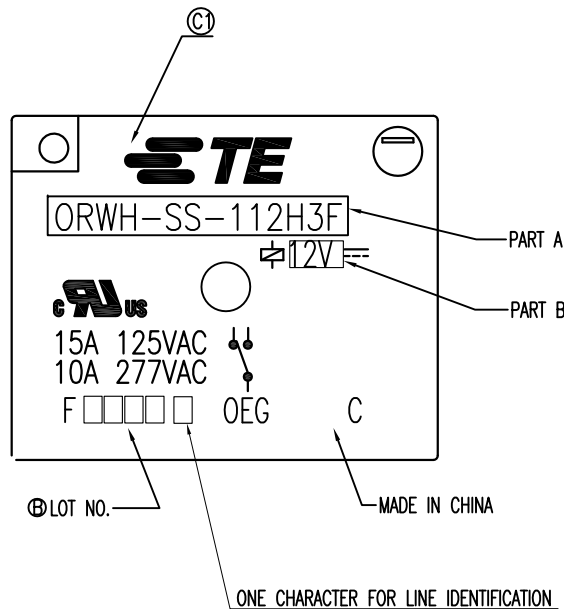
H.L.C

D

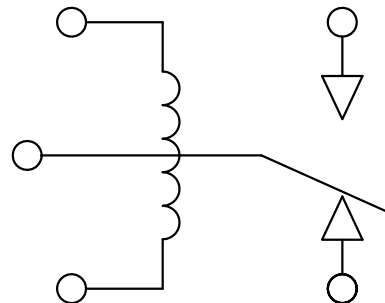
C

B

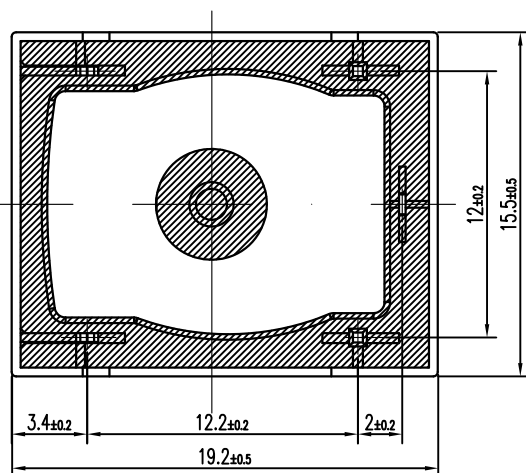
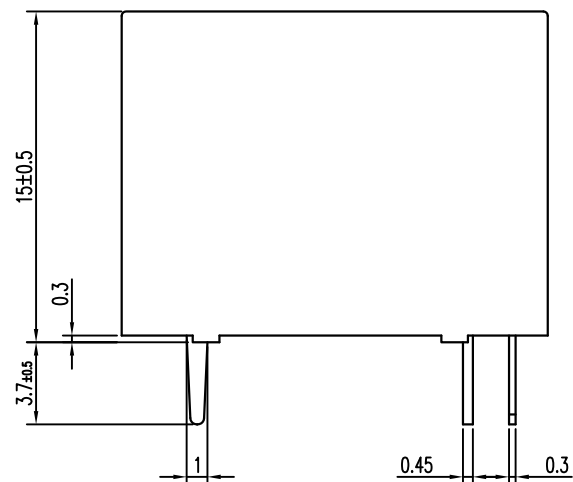
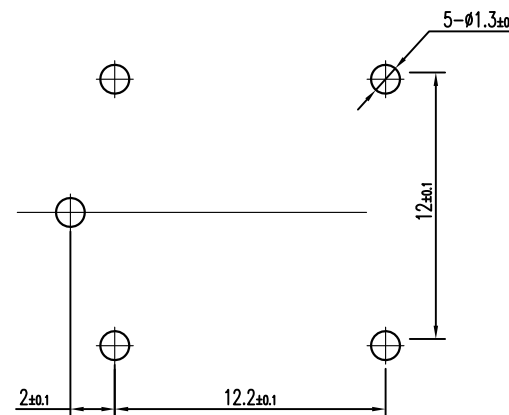
A



CIRCUIT DIAGRAM (BOTTOM VIEW)

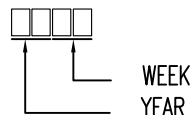


DRILLING DIAGRAM (BOTTOM VIEW)



NOTE

① LOT NO. SYSTEM AS FOLLOWING:



② TERMINAL DIMENSION IS NOT INCLUDING SOLDER TIP.

③ FOR THE TIP-PLATING OF THE PINS  
+0.1mm FOR WIDTH, THICKNESS AND DIAMETER.  
+0.5mm FOR LENGTH.

STATUS	PART NO	EC TYPE NAME	PART B	PART A	ITEM
OBSOLETE	1721956-1	ORWH-SS-103H3F,000	3V	ORWH-SS-103H3F	A
OBSOLETE	1721956-2	ORWH-SS-105H3F,000	5V	ORWH-SS-105H3F	B
OBSOLETE	1721956-3	ORWH-SS-106H3F,000	6V	ORWH-SS-106H3F	C
OBSOLETE	1721956-4	ORWH-SS-109H3F,000	9V	ORWH-SS-109H3F	D
ACTIVE	1721956-5	ORWH-SS-112H3F,000	12V	ORWH-SS-112H3F	E
OBSOLETE	1721956-6	ORWH-SS-118H3F,000	18V	ORWH-SS-118H3F	F
OBSOLETE	1721956-7	ORWH-SS-122H3F,000	22V	ORWH-SS-122H3F	G
ACTIVE	1721956-8	ORWH-SS-124H3F,000	24V	ORWH-SS-124H3F	H
OBSOLETE	1721956-9	ORWH-SS-148H3F,000	48V	ORWH-SS-148H3F	I
OBSOLETE	1-1721956-0	ORWH-SH-103H3F,000	3V	ORWH-SH-103H3F	J
OBSOLETE	1-1721956-1	ORWH-SH-105H3F,000	5V	ORWH-SH-105H3F	K
OBSOLETE	1-1721956-2	ORWH-SH-106H3F,000	6V	ORWH-SH-106H3F	L
OBSOLETE	1-1721956-3	ORWH-SH-109H3F,000	9V	ORWH-SH-109H3F	M
ACTIVE	1-1721956-4	ORWH-SH-112H3F,000	12V	ORWH-SH-112H3F	N
OBSOLETE	1-1721956-5	ORWH-SH-118H3F,000	18V	ORWH-SH-118H3F	O
OBSOLETE	1-1721956-6	ORWH-SH-122H3F,000	22V	ORWH-SH-122H3F	P
ACTIVE	1-1721956-7	ORWH-SH-124H3F,000	24V	ORWH-SH-124H3F	Q
OBSOLETE	1-1721956-8	ORWH-SH-148H3F,000	48V	ORWH-SH-148H3F	R

		UV RESIN	UV SEAL	14	
		EPOXY RESIN	SEAL	13	
CLASS 155 F		MW79	MAGNETIC WIRE	12	
		HCP	COIL TERMINAL	11	
UL94 V-0		PET	BOBBIN	10	
UL94 V-0		NYLON	CASE	9	
		Ag ALLOY	STATIONARY CONTACT	8	
		Ag ALLOY	MOVABLE CONTACT	7	
		Cu ALLOY	MOVABLE SPRING	6	
		Cu ALLOY	NC TERMINAL	5	
		Cu ALLOY	NO TERMINAL	4	
		Ni PLATED	STEEL	CORE	3
		Cu PLATED	STEEL	ARMATURE FORM C	2
		Ni PLATED	STEEL	YOKE	1
INCOMBUSTIBILITY	TREATMENT	MATERIAL	DESCRIPTION	ITEM	

THIS DRAWING IS A CONTROLLED DOCUMENT.

DWN FU BO

CHK XN.ZHANG

APVD CH.HSU

PRODUCT SPEC

APPLICATION SPEC

WEIGHT

CUSTOMER DRAWING

DIMENSIONS:

mm

TOLERANCES UNLESS OTHERWISE SPECIFIED:

0 PLC	± -
1 PLC	± -
2 PLC	± -
3 PLC	± -
4 PLC	± -
ANGLES	± -

MATERIAL

FINISH

NAME

TE Connectivity

ORWH-H3F,000 CUSTOMER DRAWING

SIZE

CAGE CODE

DRAWING NO

RESTRICTED TO

A3 00779 C-1721956

SCALE 3:1

SHEET 1 OF 1

REV C1

Diagram dimension	Tolerance
0.99mm max.	±0.1mm
1 - 2.99mm	±0.2mm
3mm min.	±0.3mm

# Mouser Electronics

Authorized Distributor

Click to View Pricing, Inventory, Delivery & Lifecycle Information:

[TE Connectivity:](#)

[1721956-4](#)