

**80** mm sq.

# San Ace 80



## General Specifications

- Material ..... Frame: Plastics (Flammability: UL94V-0),  
Impeller: Plastics (Flammability: UL94V-0)
- Expected Life ..... Refer to specifications (L10: Survival rate: 90% at 60°C ,  
rated voltage, and continuously run in a free air state)
- Lead Wire ..... ⊕red ⊖black (Sensor) yellow (Control) brown
- Storage Temperature ..... -30°C to +70°C (Non-condensing)

**80×80×20** mm (Mass : 80g) **9GA** type **Low Power Consumption Fan**



## Specifications

The following nos. have PWM controls, pulse sensors, and ribs.

Model No.	Rated Voltage [V]	Operating Voltage Range [V]	PWM duty cycle <sup>Note1)2)</sup> [%]	Rated Current [A]	Rated Input [W]	Rated Speed [min <sup>-1</sup> ]	Max. Airflow [m <sup>3</sup> /min] [CFM]	Max. Static Pressure [Pa] [inchH <sub>2</sub> O]	SPL [dB(A)]	Operating Temperature [°C]	Expected Life <sup>Note2)</sup> [h]
<b>9GA0812P6G001</b>	12	10.2 to 13.8	100	0.3	3.6	5,850	1.72 60.78	110 0.44	45	-20 to +70	40,000/60°C (70,000/40°C)
<b>9GA0812P6M001</b>				0.06	0.72	2,900	0.84 29.68	27 0.11	26.5		60,000/60°C
<b>9GA0824P6G001</b>	24	20.4 to 27.6	100	0.15	3.6	5,850	1.72 60.78	110 0.44	45		40,000/60°C (70,000/40°C)
<b>9GA0824P6M001</b>				0.03	0.72	2,900	0.84 29.68	27 0.11	26.5		60,000/60°C

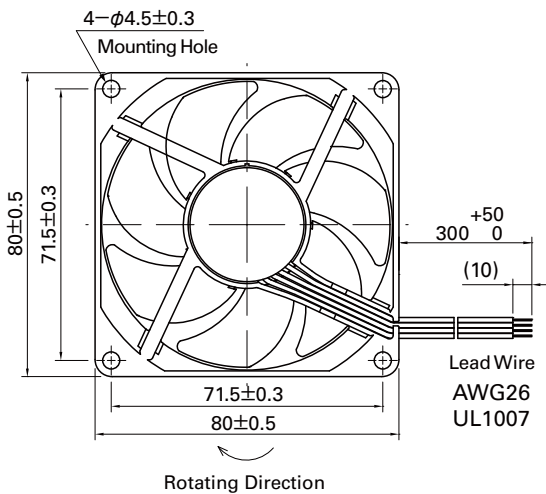
Note 1: Does not rotate when PWM duty cycle is 0%.

Note 2: Expected life at 40°C ambient is just reference value.

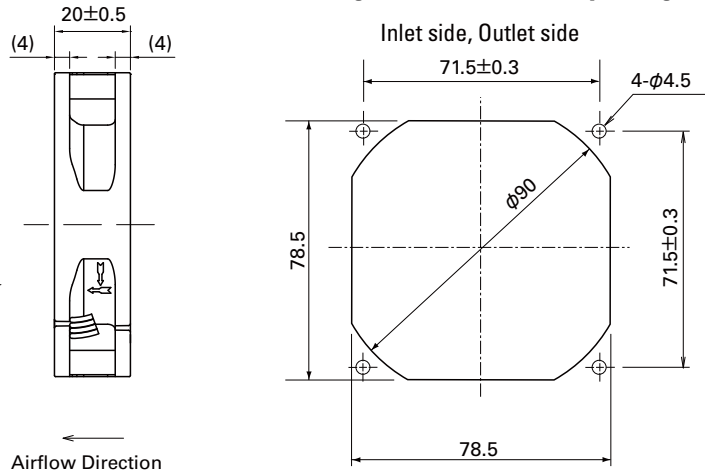
※PWM Frequency : 25kHz

Models without sensors or with pulse sensors (no PWM function) are available as options. Please refer to the index (p. 475).

## Dimensions (unit: mm)



## Reference Dimensions of Mounting Holes and Vent Opening (unit: mm)



## Options (unit: mm)

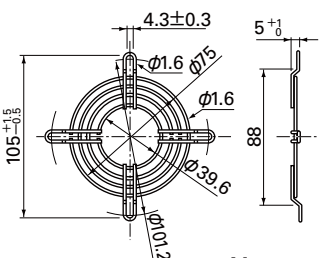
### Finger Guards

Model : 109-049C Surface treatment : Nickel-chrome plating (silver) Color : Nickel-chrome plating (silver)

Model : 109-049E Surface treatment : Nickel-chrome plating (silver) Color : Nickel-chrome plating (silver)

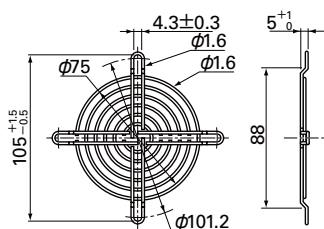
Model : 109-049H Surface treatment : Cation electropainting (black) Color : Cation electropainting (black)

Outlet side



Mass : 17g

Inlet side, Outlet side

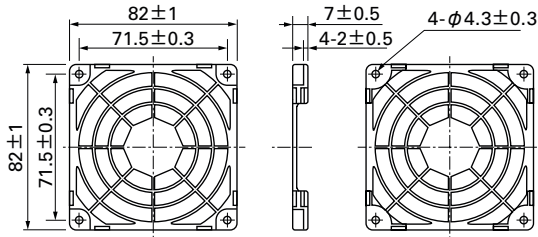


Mass : 21g

**Options (unit: mm)**

**Resin Finger Guards**

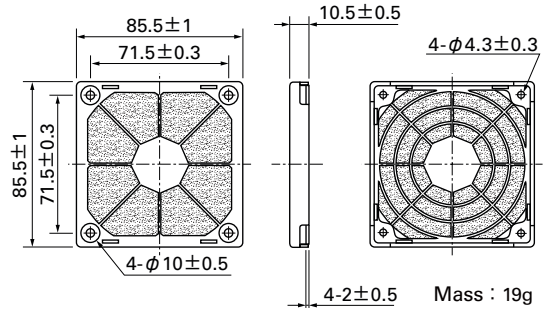
Model : 109-1002G



Mass : 10g

**Resin Filter Kits**

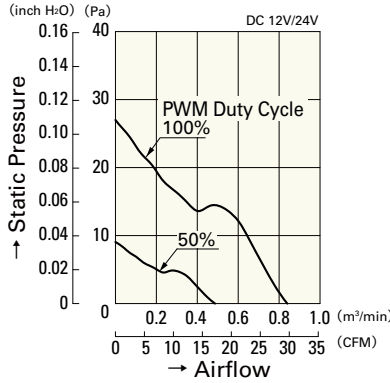
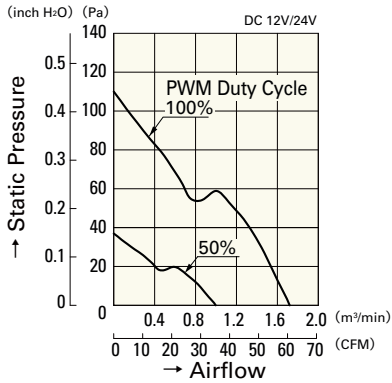
Model : 109-1002F13 (13PPI), 109-1002F20 (20PPI)  
: 109-1002F30 (30PPI), 109-1002F40 (40PPI)



Mass : 19g

**Airflow - Static Pressure Characteristics**

**PWM Duty Cycle**



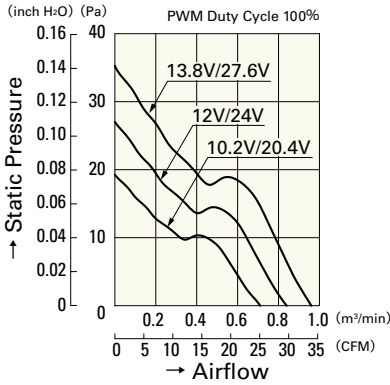
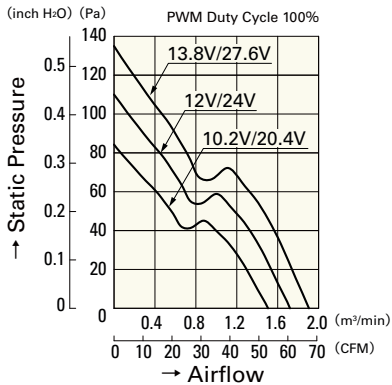
**9GA0812P6G001**

**9GA0824P6G001**

**9GA0812P6M001**

**9GA0824P6M001**

**Operating Voltage Range**



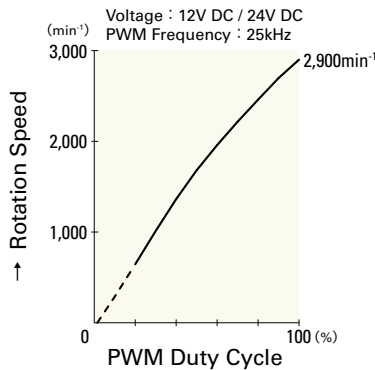
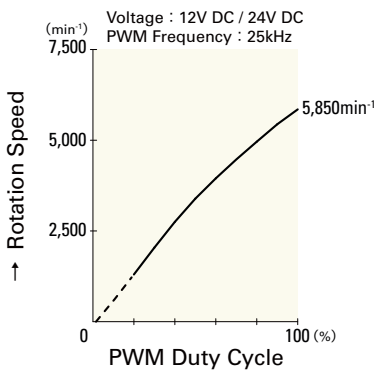
**9GA0812P6G001**

**9GA0824P6G001**

**9GA0812P6M001**

**9GA0824P6M001**

**PWM Duty - Speed Characteristics Example**



**9GA0812P6G001**

**9GA0824P6G001**

**9GA0812P6M001**

**9GA0824P6M001**