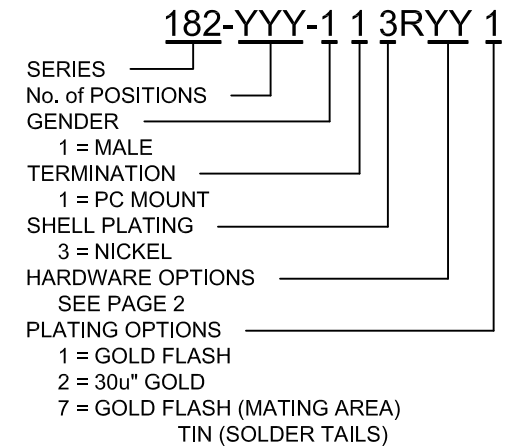
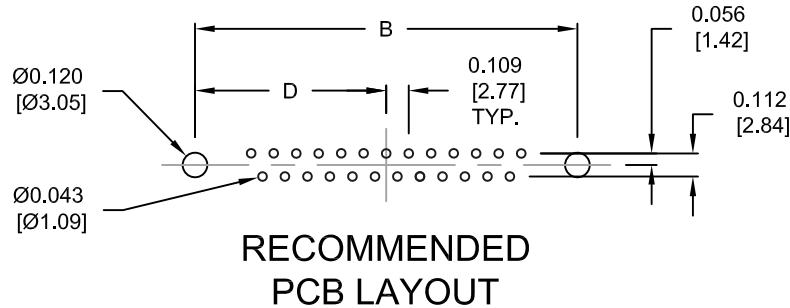
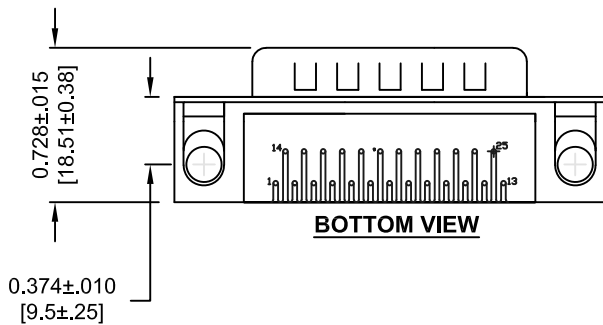
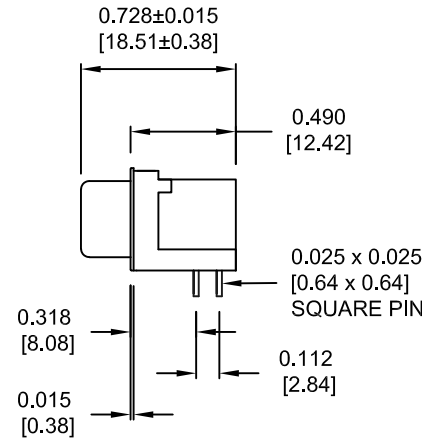
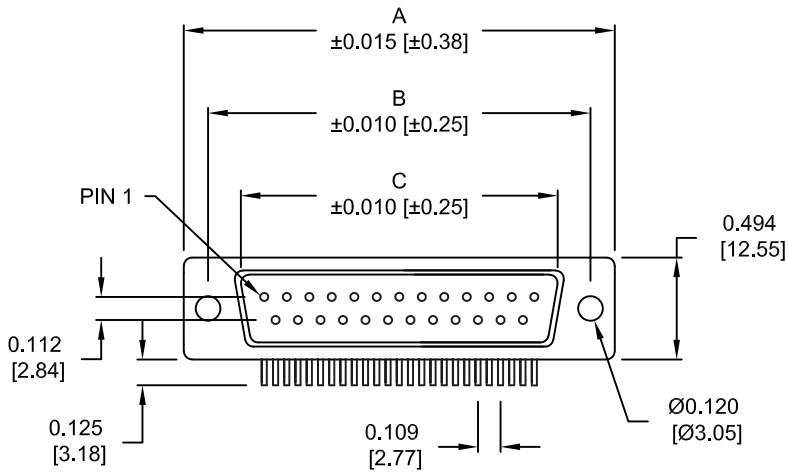


DESCRIPTION: R/A - 0.318 - MALE - ECONOMY - D SUB

25-PIN SHOWN

No. OF PINS	DIMENSIONS			
	A	B	C	D
009	1.213	0.984	0.666	0.492
	30.80	24.99	16.92	12.50
015	1.541	1.312	0.994	0.656
	39.14	33.32	25.25	16.66
025	2.088	1.852	1.534	0.926
	53.04	47.04	38.96	23.52
037	2.729	2.500	2.181	1.250
	69.32	63.50	55.40	31.75



MATERIAL:

- SHELL: SPCC, NICKEL PLATED
- INSULATOR: UL 94V-O RATED, BLACK, 260° PA9T
- CONTACT: BRASS, GOLD PLATED
- RIVET: COPPER ALLOY, NICKEL PLATED
- SCREWLOCK: ZINC ALLOY, NICKEL PLATED
- BOARDLOCK: SPCC, TIN PLATED

ELECTRICAL:

- CURRENT RATING: 5 AMPS
- DIELECTRIC STRENGTH: 1,000VAC rms
- INSULATION RESISTANCE: 1,000 MOHMS MIN
- CONTACT RESISTANCE: 15 mOHM MAX
- TEMPERATURE: -55°C TO +105°C

GENERAL TOLERANCES
 ± 0.006 [0.15]
 HOLE : ± 0.005 [0.13]

DO NOT SCALE FROM DRAWING



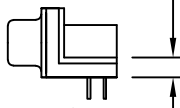
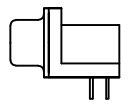
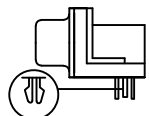
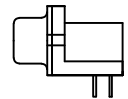
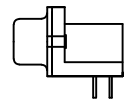
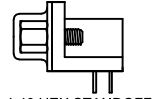
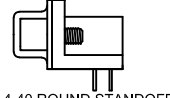
THESE DRAWINGS AND SPECIFICATIONS ARE THE PROPERTY OF NorComp AND SHALL NOT BE REPRODUCED, COPIED OR USED AS THE BASIS FOR THE MANUFACTURE OF SALE OF APPARATUS WITHOUT WRITTEN PERMISSION.

DRAWN: PAM JENKINS		DATE: 03-17-05	
SCALE: NTS	SHEET 1	OF 2	REV 10
DWG NO. 182-YYY-113RYY1			


RoHS COMPLIANT

NorComp

DESCRIPTION: RIGHT ANGLE HARDWARE OPTIONS

	 <p>0.141 ±0.020 METAL SHELL WITH INSIDE GROUND STRAPS</p>	 <p>METAL SHELL</p>	 <p>METAL SHELL FORK BOARD LOCKS</p>
 <p>.120" DIA. HOLE</p>	16	43	55
 <p>4-40 FLUSH INSERT</p>	17	45	53 BOARD LOCKS IN HOLE
 <p>4-40 HEX STANDOFF FEMALE SCREWLOCK</p>	18	48	56 BOARD LOCKS IN HOLE
 <p>4-40 ROUND STANDOFF FEMALE SCREWLOCK</p>	N/A	N/A	N/A

DO NOT SCALE FROM DRAWING

	THESE DRAWINGS AND SPECIFICATIONS ARE THE PROPERTY OF NorComp AND SHALL NOT BE REPRODUCED, COPIED OR USED AS THE BASIS FOR THE MANUFACTURE OF SALE OF APPARATUS WITHOUT WRITTEN PERMISSION.		DRAWN: PAM JENKINS	DATE: 03-17-05
	NorComp		SCALE: NTS	SHEET OF 2 2
DWG NO. 182-YYY-113RYY1				

RoHS COMPLIANT

Mouser Electronics

Authorized Distributor

Click to View Pricing, Inventory, Delivery & Lifecycle Information:

NorComp:

[182-009-113R531](#) [182-015-113R531](#) [182-009-113R161](#) [182-009-113R171](#) [182-009-113R181](#) [182-015-113R161](#)
[182-015-113R171](#) [182-015-113R181](#) [182-025-113R161](#) [182-025-113R171](#) [182-025-113R181](#) [182-037-113R161](#)
[182-037-113R171](#) [182-037-113R181](#) [182-037-113R531](#) [182-025-113R531](#) [182-015-113R561](#) [182-009-113R561](#)
[182-025-113R561](#) [182-037-113R561](#) [182-037-212-531](#) [182-015-212-531](#) [182-025-112-531](#) [182-025-212-531](#) [182-](#)
[009-212-181](#) [182-037-112-531](#) [182-015-212-171](#) [182-015-112-531](#) [182-009-212-531](#) [182-009-112-531](#)