

4

3

2

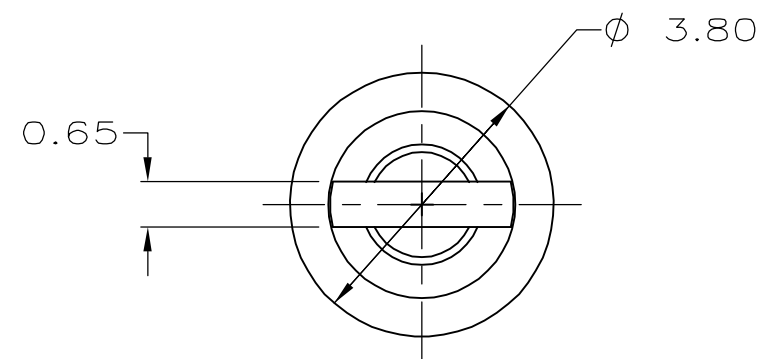
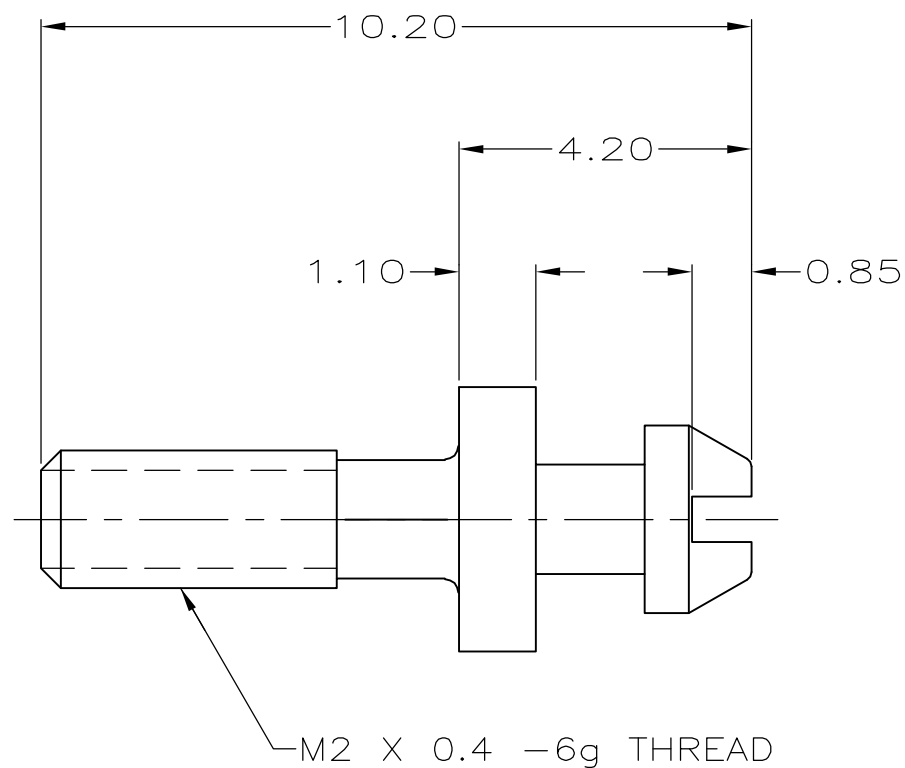
1

THIS DRAWING IS UNPUBLISHED. RELEASED FOR PUBLICATION - , - .

© COPYRIGHT - BY TYCO ELECTRONICS CORPORATION. ALL RIGHTS RESERVED.

LOC	DIST	REVISIONS					
GP	00	P	LTR	DESCRIPTION	DATE	DWN	APVD
			B	REVISED PER ECO-06-000326	17APR06	BM	SS

△ 1 MATERIAL:
 STAINLESS STEEL PER TYCO 100-222-1
 (UNS S30300). COLD FINISHED.



	200	787003-3
OBSOLETE	2	787003-2
QTY	PART NUMBER	

THIS DRAWING IS A CONTROLLED DOCUMENT.		DWN	S.G.SMITH	08/20/93	Tyco Electronics Corporation Harrisburg, PA 17105-3608		
DIMENSIONS: mm		CHK	J.J.CONSOLO	08/20/93			
TOLERANCES UNLESS OTHERWISE SPECIFIED:		APVD	-	-	NAME		
0 PLC ± -		PRODUCT SPEC		LATCHING POST, BOARDMOUNT, 0.8mm CHAMP			
1 PLC ± -		108-1471		SIZE			
2 PLC ± 0.13		APPLICATION SPEC		CAGE CODE			
3 PLC ± -		-		DRAWING NO			
4 PLC ± -		WEIGHT		RESTRICTED TO			
ANGLES ± -		-		A3 00779 C=787003			
MATERIAL	△ 1	FINISH		-			
CUSTOMER DRAWING				SCALE	10:1	SHEET	1 OF 1
				REV	B		

Mouser Electronics

Authorized Distributor

Click to View Pricing, Inventory, Delivery & Lifecycle Information:

[TE Connectivity:](#)

[787003-3](#)