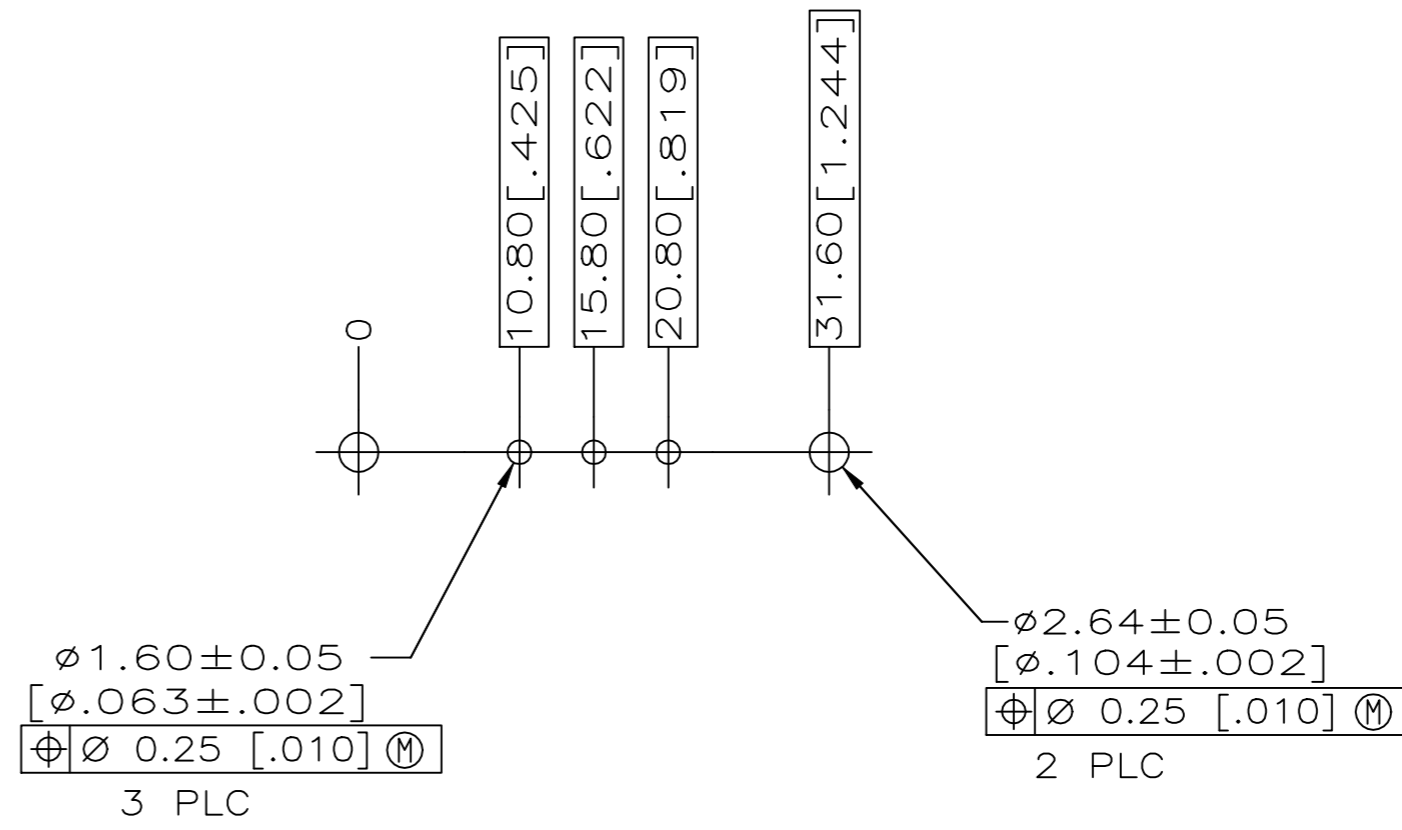
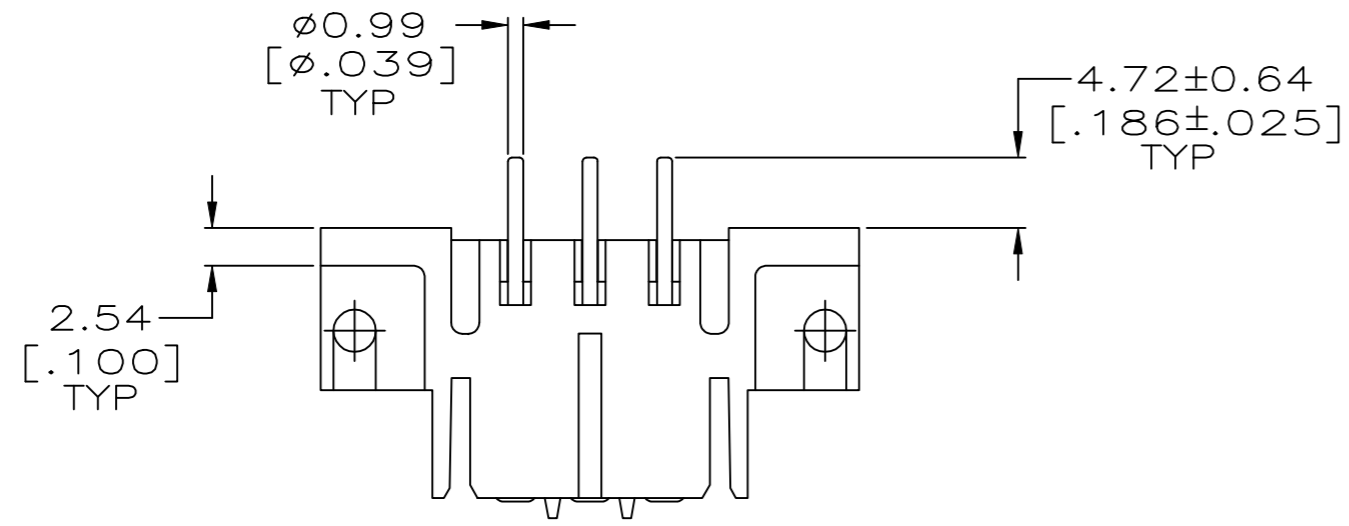
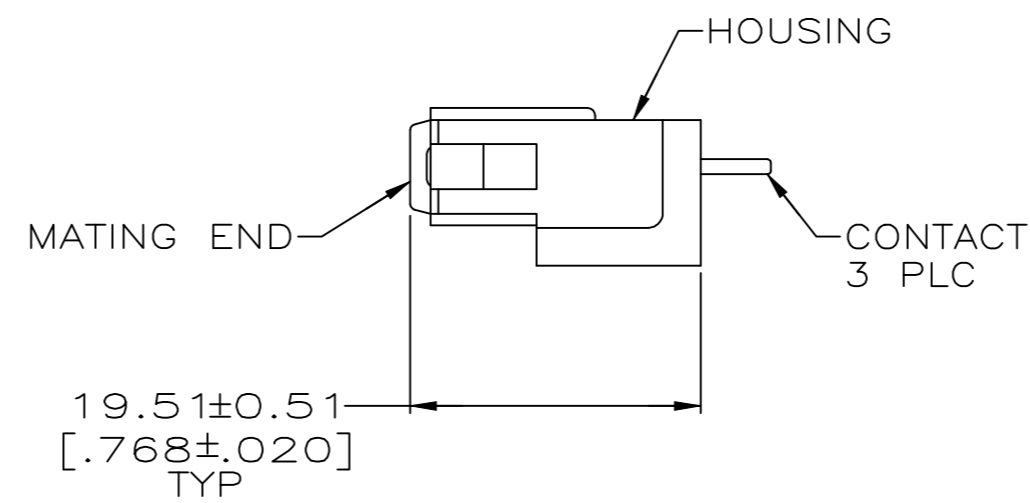
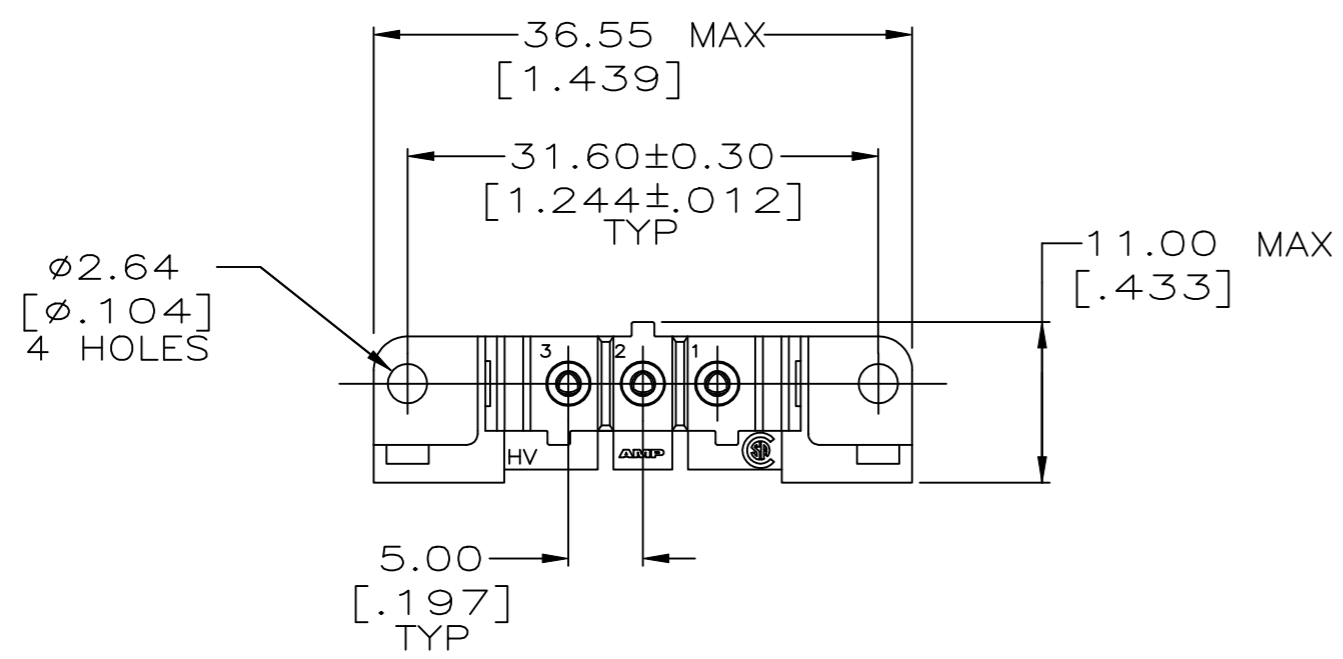


THIS DRAWING IS UNPUBLISHED. RELEASED FOR PUBLICATION  
 © COPYRIGHT - By - ALL RIGHTS RESERVED.

REVISIONS					
P	LTR	DESCRIPTION	DATE	DWN	APVD
J2		REVISED PER ECO-11-010839	25MAY11	RK	HMR
K		REVISED PER ECO-18-000443	23JAN2018	RS	MZ



RECOMMENDED PC BOARD LAYOUT



- ① NYLON, RED.
- ② PHOSPHOR BRONZE.
- ③ 3.81um [.000150] MIN TIN-LEAD OVER 1.27um [.000050] MIN NICKEL.
- ④ 0.76um [.000030] MIN GOLD FOR A LENGTH OF 5.08 [.200] MIN FROM MATING END, 3.81um [.000150] MIN TIN-LEAD FOR A LENGTH OF 5.36 [.211] MIN FROM OPPOSITE END, BOTH OVER 1.27um [.000050] MIN NICKEL.
- ⑤ 3.81um [.000150] MIN TIN OVER 1.27um [.000050] MIN NICKEL.
- ⑥ 0.76um [.000030] MIN GOLD FOR A LENGTH OF 5.08 [.200] MIN FROM MATING END, 3.81um [.000150] MIN TIN FOR A LENGTH OF 5.36 [.211] MIN FROM OPPOSITE END, BOTH OVER 1.27um [.000050] MIN NICKEL.

	⑥	207609-7
	⑤	207609-6
OBSOLETE	④	207609-3
OBSOLETE	③	207609-1
	CONTACT FINISH	PART NO

THIS DRAWING IS A CONTROLLED DOCUMENT.		DWN L.SIPE 08/07/92	TE Connectivity Ltd.	
DIMENSIONS: mm [INCHES]		CHK R.STONE 8-25-92		
TOLERANCES UNLESS OTHERWISE SPECIFIED:		APVD A.TRAVIS 8-25-92	NAME	
0 PLC ± - 1 PLC ± - 2 PLC ± 0.25 [.010] 3 PLC ± - 4 PLC ± - ANGLES ± -		PRODUCT SPEC	SOCKET HEADER ASSEMBLY, 3 POSN, IN-LINE, METRIMATE	
MATERIAL HOUSING: 1		APPLICATION SPEC	SIZE A2	CAGE CODE 00779
CONTACTS: SEE TBL		WEIGHT -	DRAWING NO C=207609	RESTRICTED TO -
		CUSTOMER DRAWING	SCALE 2:1	SHEET 1 of 1
				REV K

# Mouser Electronics

Authorized Distributor

Click to View Pricing, Inventory, Delivery & Lifecycle Information:

[TE Connectivity:](#)

[207609-1](#)