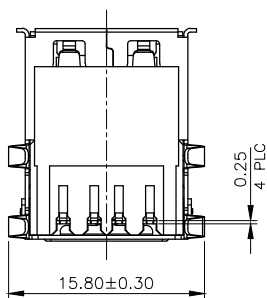
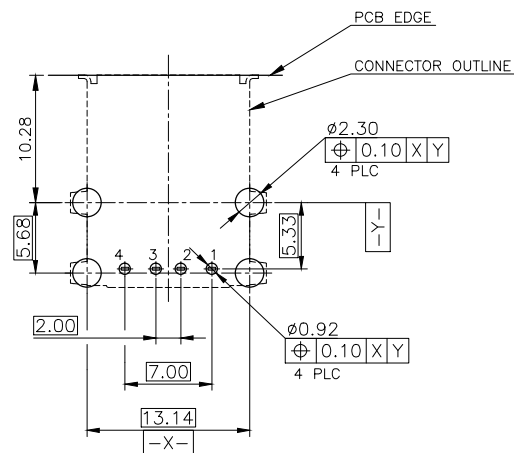
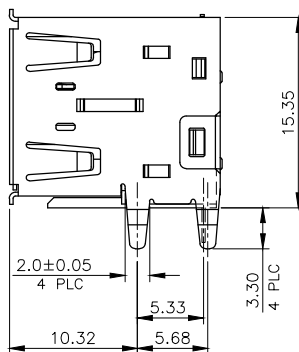
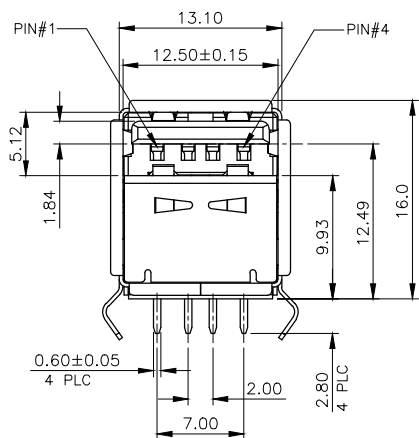
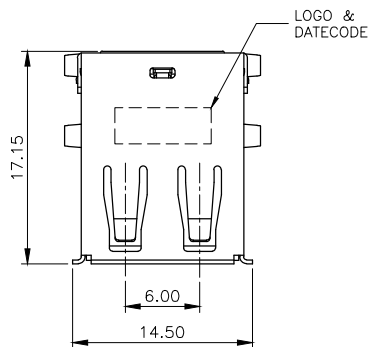


THIS DRAWING IS UNPUBLISHED. RELEASED FOR PUBLICATION
 © COPYRIGHT 2010 BY TYCO ELECTRONICS CORPORATION. ALL RIGHTS RESERVED.

LOC		DIST		REVISIONS			
P	LTR	DESCRIPTION		DATE	DWN	APVD	
	C	REVISED (ECR-14-012905)		28AUG14	S.W	H.L	

NOTES:

1. MATERIAL:
 - 1.1 HOUSING: LCP WITH 30% G.F, UL94 V-0; COLOR: BLACK
 - 1.2 CONTACT: PHOSPHOR BRONZE.
 - 1.3 FRONT SHELL: STEEL.
 - 1.4 BACK SHELL: STEEL.
 - 1.5 CLIP: STEEL.
2. FINISH:
 - 2.1 CONTACT:
 - GOLD PLATING (SEE TABLE) ON CONTACT AREA,
 - 2.54um [100u"] MIN. MATTE-TIN PLATING ON SOLDERTAILS,
 - 1.27um [50u"] MIN. NICKEL UNDERPLATING OVERALL.
 - 2.2 FRONT SHELL: 2.54um [100u"] MIN. NICKEL PLATING.
 - 2.3 BACK SHEEL: 2.54um [100u"] MIN. NICKEL PLATING.
 - 2.4 CLIP: 2.54um [100u"] MIN. NICKEL PLATING.
3. RECOMMENDED P.C.B THICKNESS : 1.2~1.8mm
4. WAVE SOLDER CAPABLE TO 265°C PER TE SPEC. 109-202, CONDITION B.

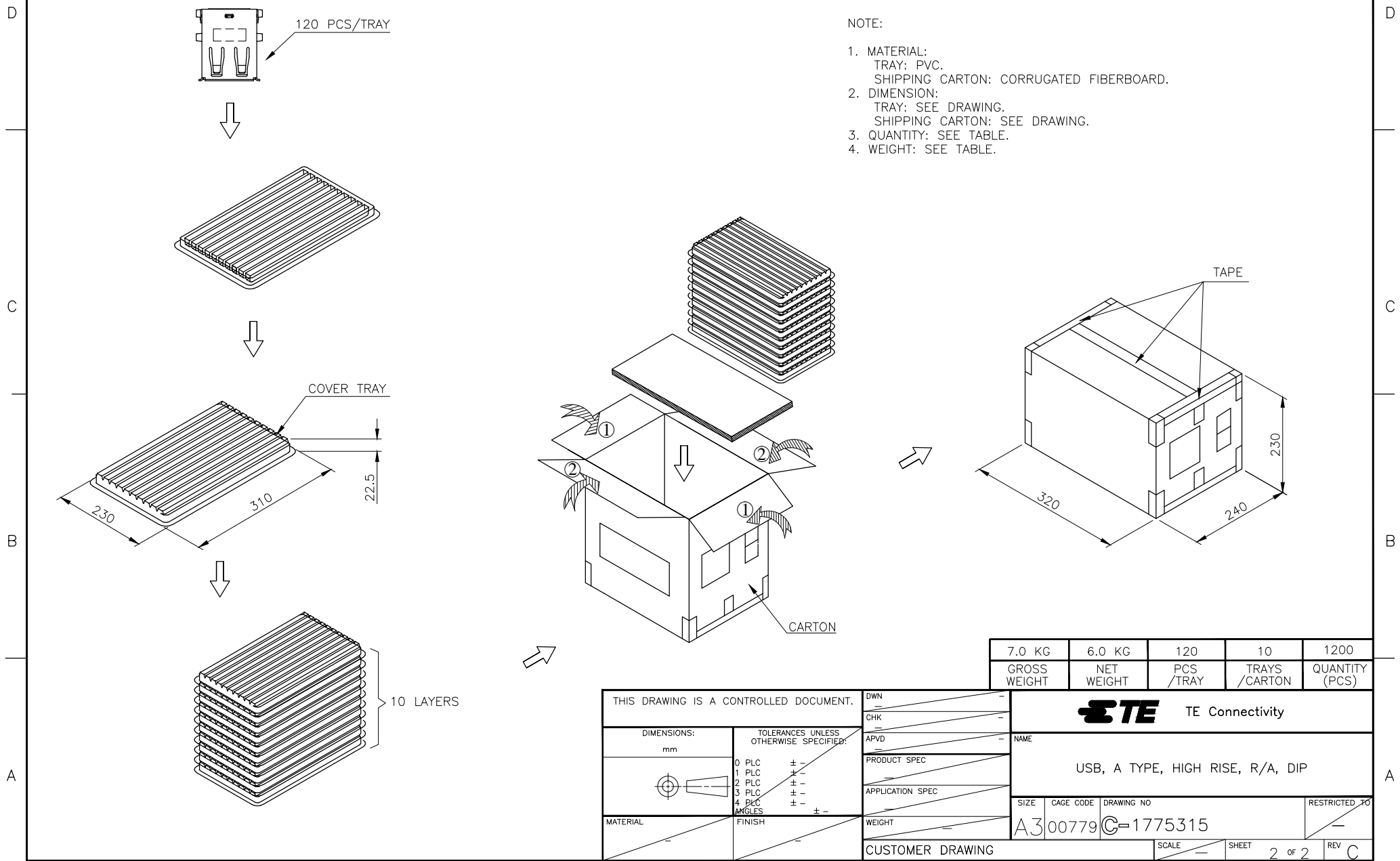


EOL	-0.762um [30u"]	1775315-2-
	0.381um [15u"]	1775315-1
	MIN. GOLD THICKNESS	PART NUMBER

THIS DRAWING IS A CONTROLLED DOCUMENT.		DWN J. LEE	05JUL2006	TE Connectivity	
DIMENSIONS: mm		CHK S. HOU	05JUL2006		
TOLERANCES UNLESS OTHERWISE SPECIFIED:		APVD W.J. KE	05JUL2006	NAME	
0 PLC ± - 1 PLC ± 0.3 2 PLC ± 0.2 3 PLC ± 0.15 4 PLC ± - ANGLES ± 3°		PRODUCT SPEC 108-57519		USB, A TYPE, HIGH RISE, R/A, DIP	
MATERIAL SEE NOTE		WEIGHT 5.03 GRAMS		SIZE A3	CAGE CODE 00779
FINISH SEE NOTE		CUSTOMER DRAWING		DRAWING NO C=1775315	RESTRICTED TO -
				SCALE -	SHEET 1 OF 2
				REV C	

LOC		DIST		REVISIONS				
P	LTR	DESCRIPTION			DATE	DWN	APVD	
		SEE SHEET 1.						

- NOTE:
1. MATERIAL:
 TRAY: PVC.
 SHIPPING CARTON: CORRUGATED FIBERBOARD.
 2. DIMENSION:
 TRAY: SEE DRAWING.
 SHIPPING CARTON: SEE DRAWING.
 3. QUANTITY: SEE TABLE.
 4. WEIGHT: SEE TABLE.



7.0 KG	6.0 KG	120	10	1200
GROSS WEIGHT	NET WEIGHT	PCS /TRAY	TRAYS /CARTON	QUANTITY (PCS)

THIS DRAWING IS A CONTROLLED DOCUMENT.

DIMENSIONS: mm	TOLERANCES UNLESS OTHERWISE SPECIFIED: 0 PLC ± - 1 PLC ± - 2 PLC ± - 3 PLC ± - 4 PLC ± - ANGLES ± -	DWN CHK APVD PRODUCT SPEC APPLICATION SPEC WEIGHT	NAME USB, A TYPE, HIGH RISE, R/A, DIP
MATERIAL	FINISH	SIZE A3	RESTRICTED TO
CUSTOMER DRAWING		CAGE CODE 00779	DRAWING NO C-1775315
		SCALE	SHEET 2 OF 2

Mouser Electronics

Authorized Distributor

Click to View Pricing, Inventory, Delivery & Lifecycle Information:

[TE Connectivity:](#)

[1775315-1](#)